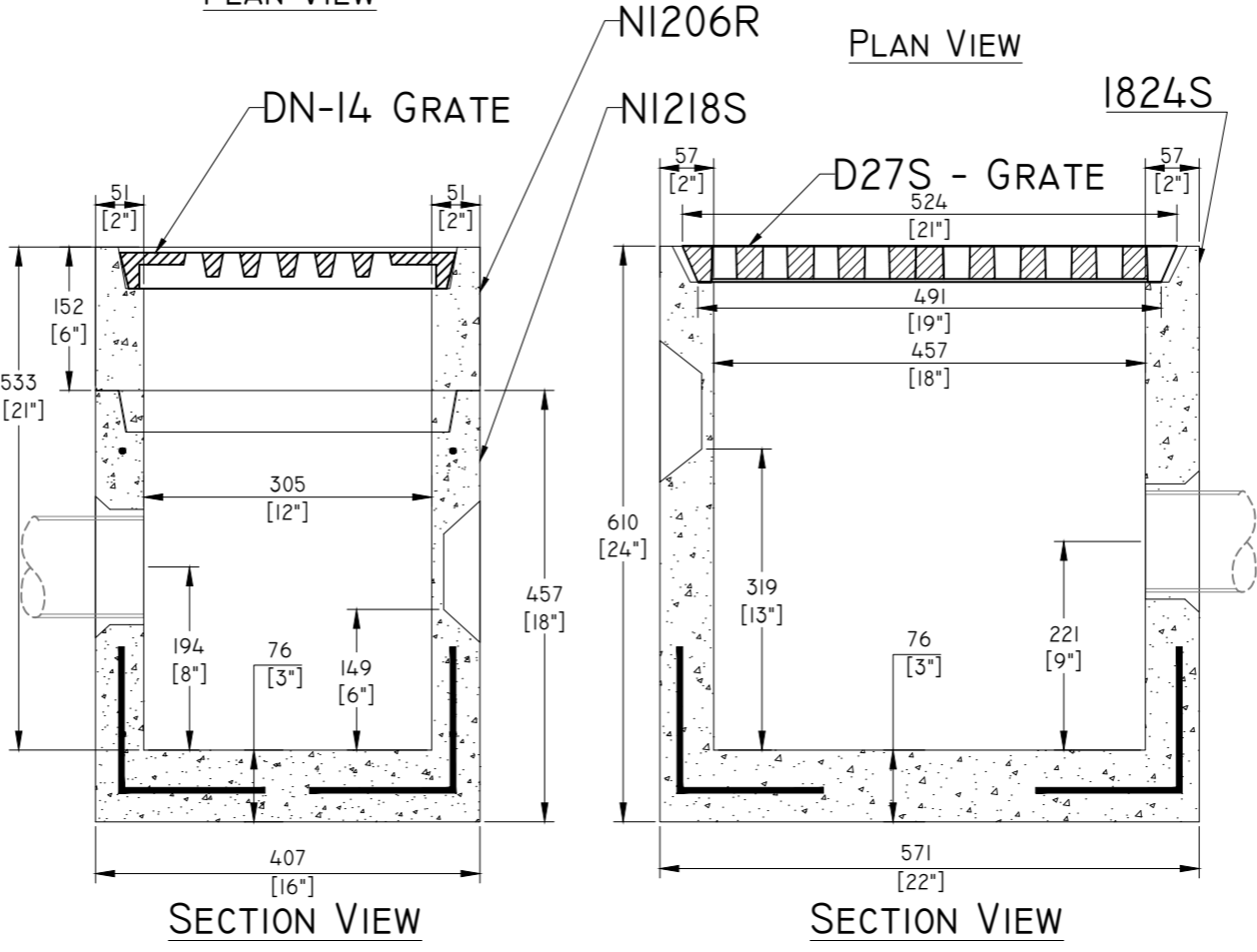
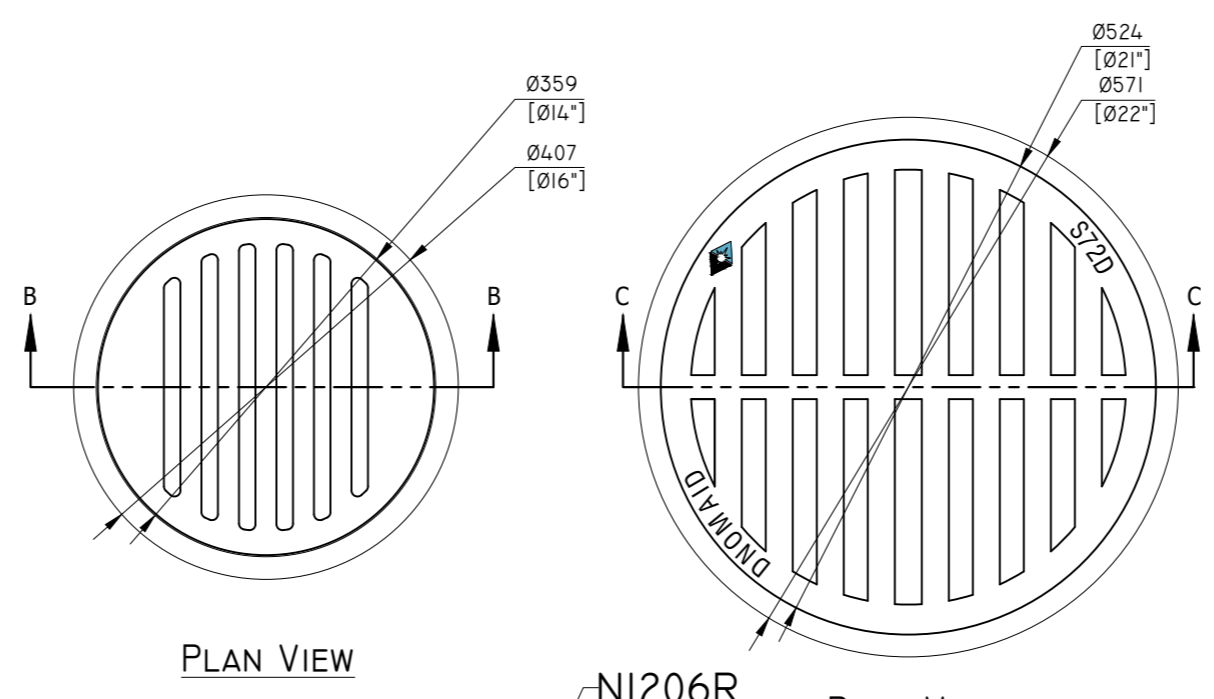
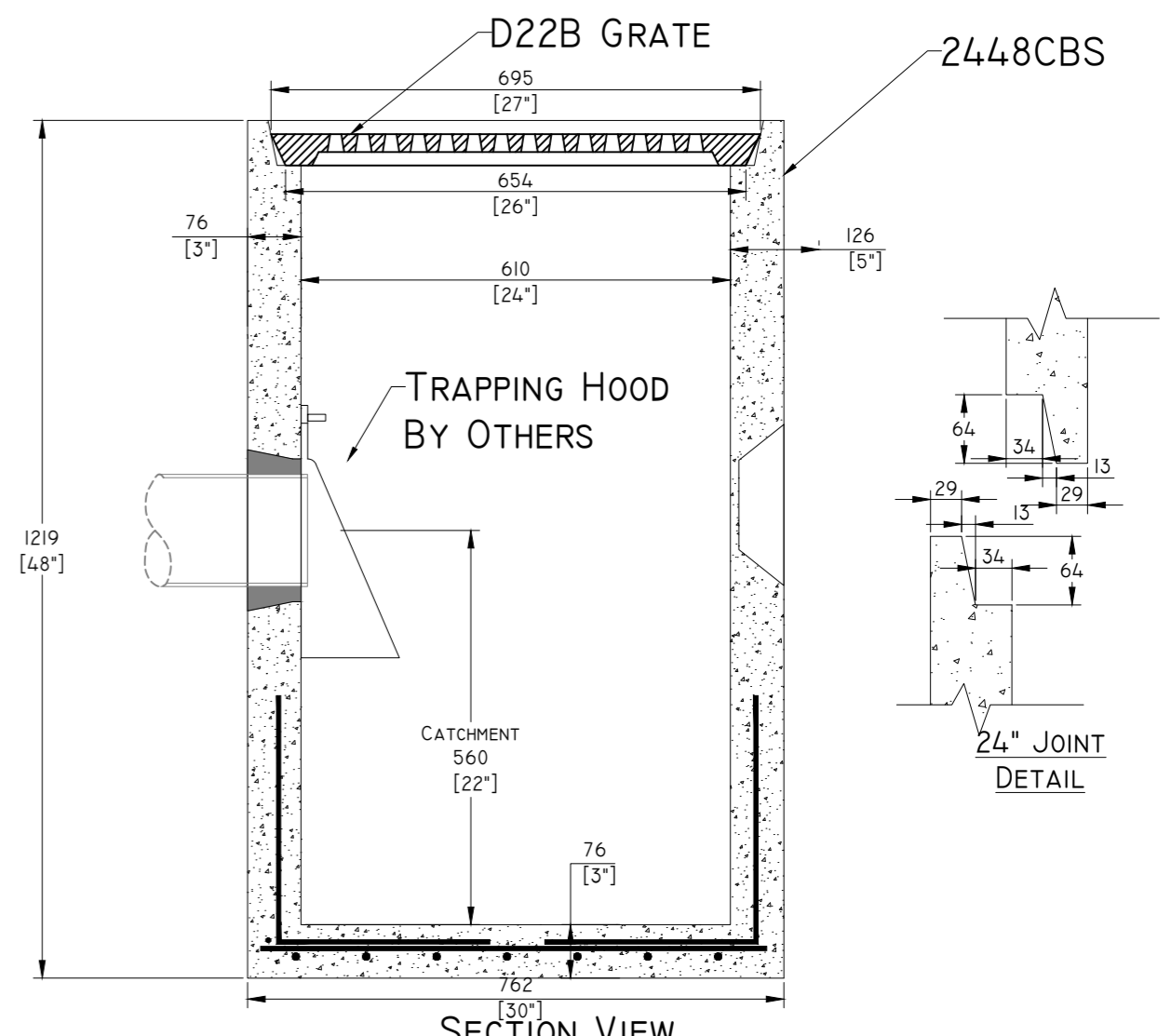
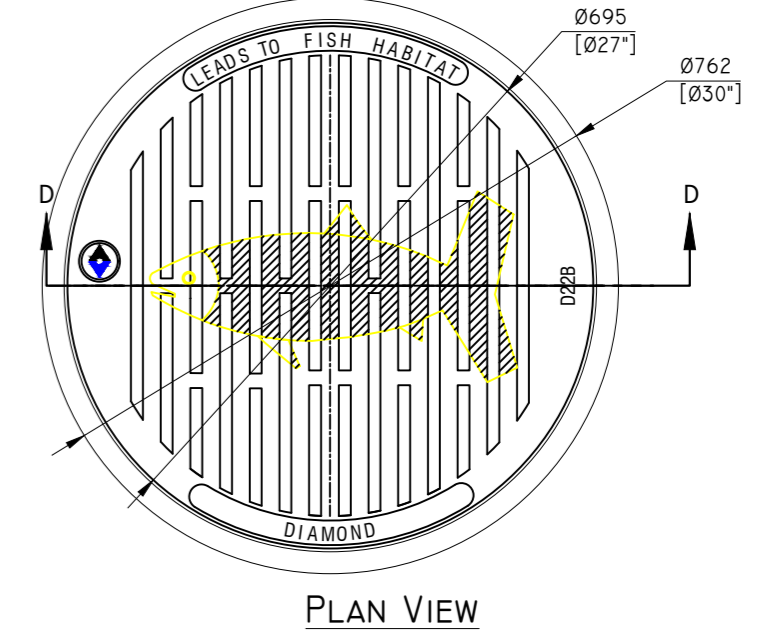


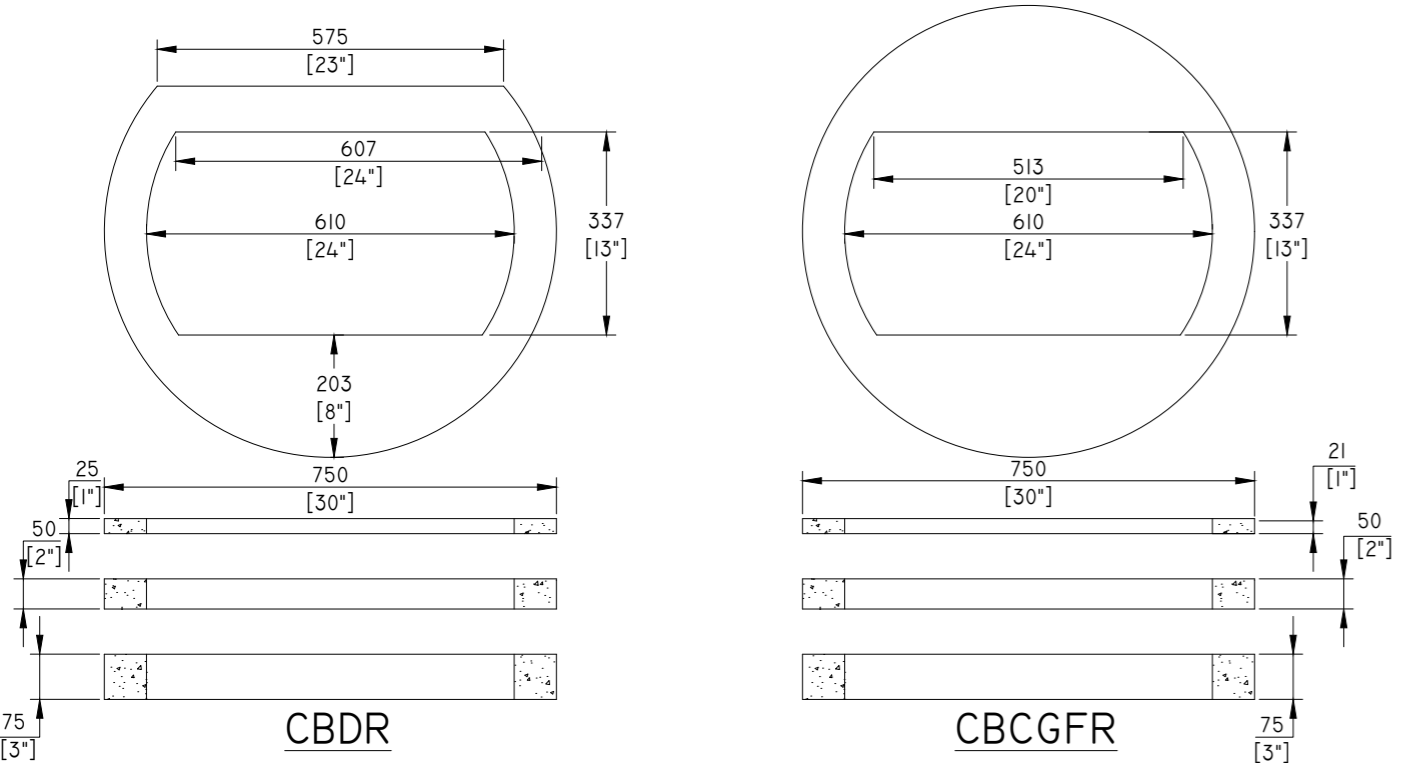
MMCD S11 SECTION VIEW
SCALE:1:12



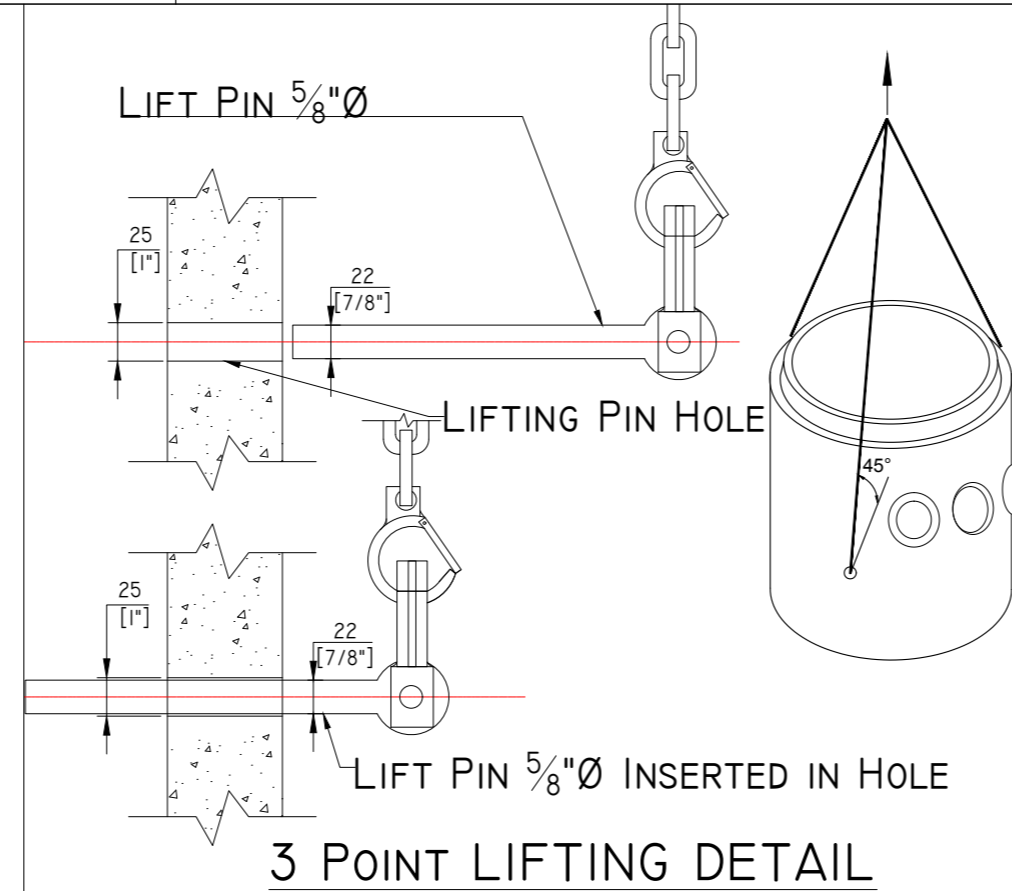
MMCD S12 - TYPE 1
SCALE:1:8



MMCD S12 - TYPE 2
SCALE:1:10



GRADE RINGS
SCALE:1:15



Precast Concrete Component Specifications and General Notes:

- All components MMCD PLATINUM (Section 33 44 01) compliant and fabricated to CSA CERTIFICATE OF COMPLIANCE (ASTM C478M).
- Components certified to CSA standards (ASTM C478M & CSA A23.4-09) by approved independent third party certification body accredited by Standards Council of Canada
- All components marked with certification body logo and CSA standard markings.
- Testing to ASTM C497/CSA 23.1 & 2-09.
- 15MPa MIN 1 day compressive strength.
- 30 MPa MIN 28 day strength (MAX 0.5 W/C ratio).
- 25mm MIN concrete cover of reinforcing steel.
- 5mm manufacturing tolerance.
- A-3 concrete exposure class.
- Standard grade form finish. Unformed steel trowel or wood float finish.
- Rigging to meet WORK SAFE BC OHS (Guideline 14/15) requirement.
- Field installation by others.
- All structure depths can be increased with standard riser sections.
- Riser sections available from .DWG file.



DRAWING DESCRIPTION:

MMCD Platinum S11 Catch Basin & S12 Lawn Basin

DWG NO: MMCD S11/S12	DATE DRAWN: 28/09/2016
SCALE: AS NOTED	DRAWN BY: [REV NO: SD 0
7520 CONRAD STREET BURNABY, B.C. V5A 2H7 PHONE : 604 415-5181 INFO@DIAMONDPRECAST.COM	