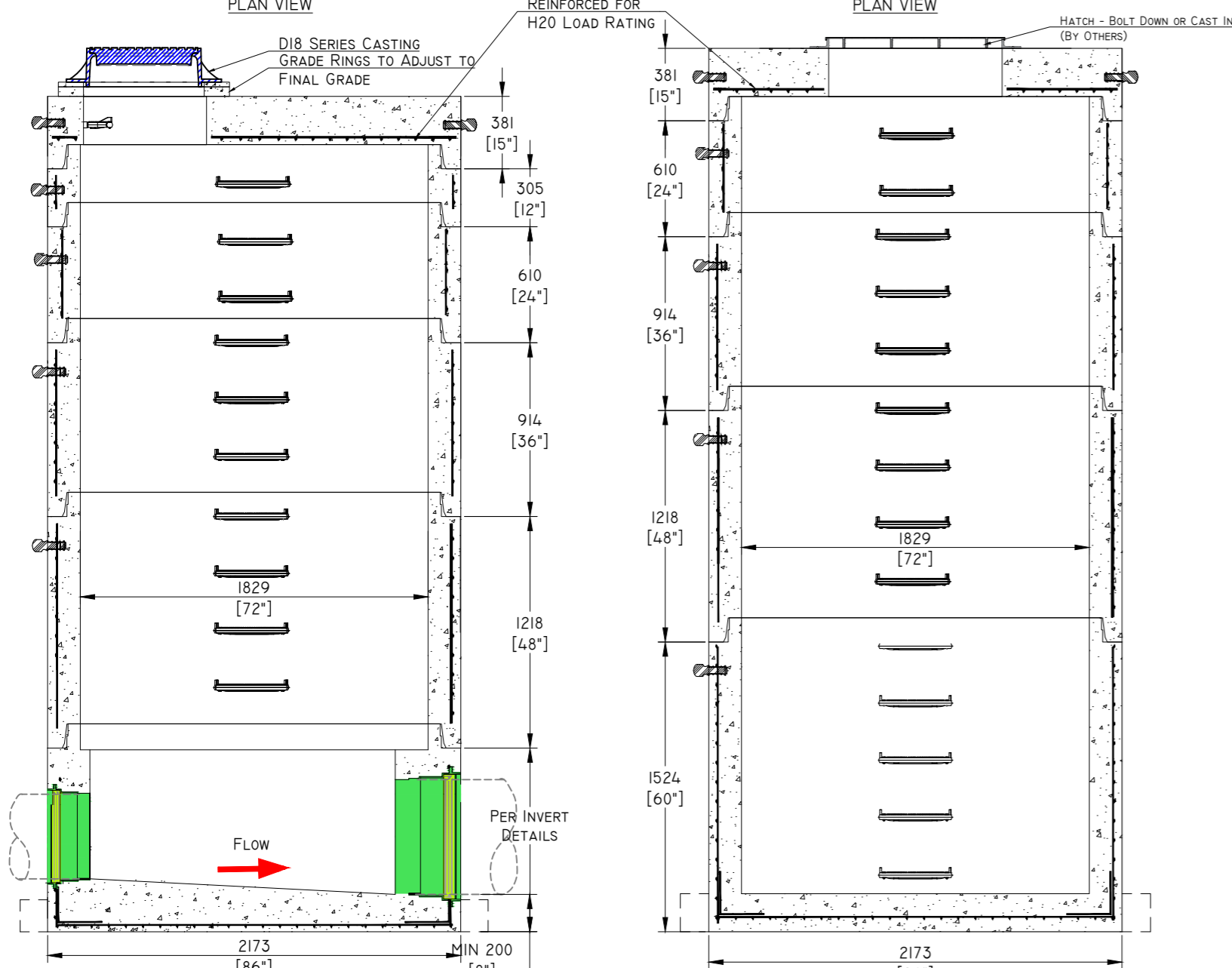


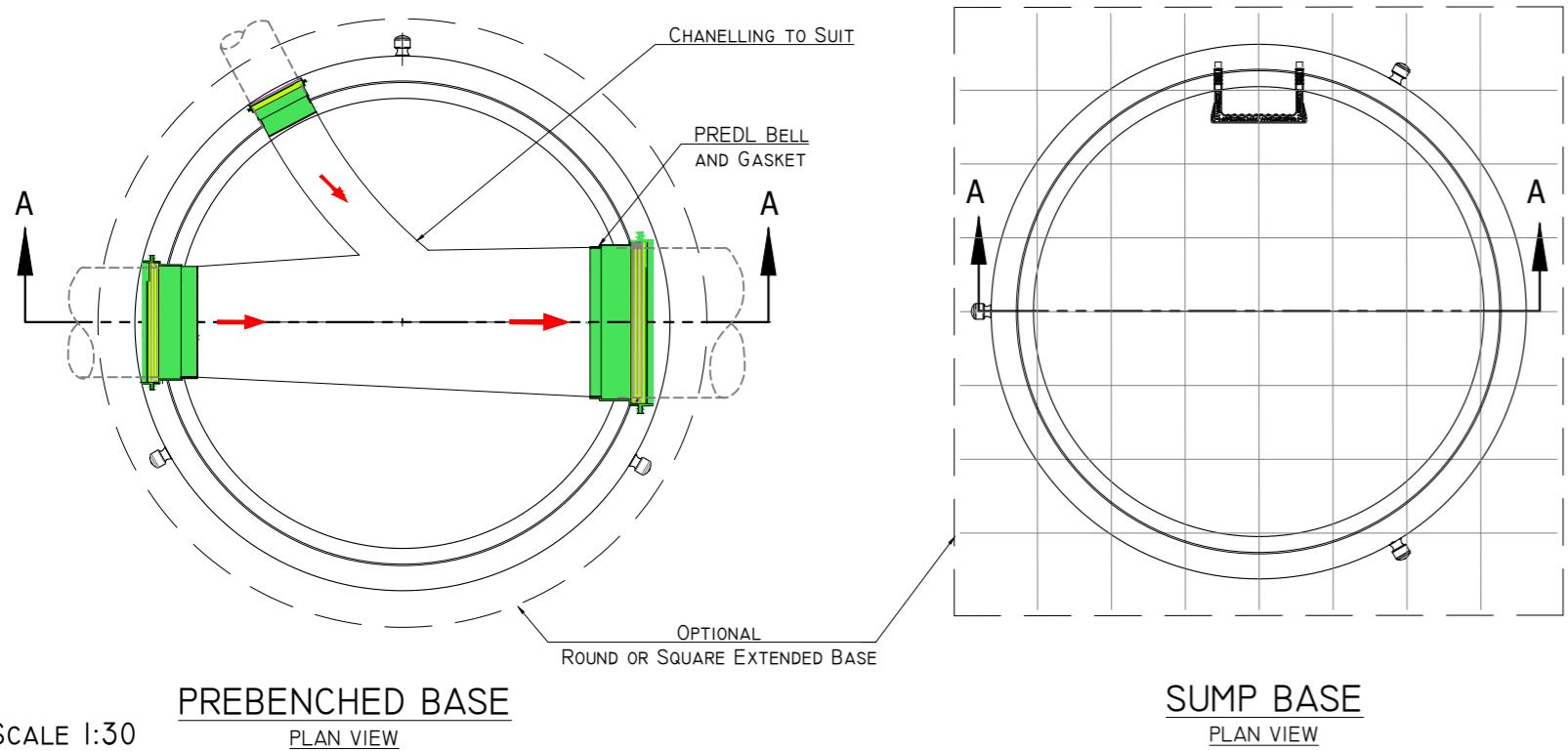
DONUT LID - OFFSET OPENING
PLAN VIEW

DONUT LID - HATCH OPENING
PLAN VIEW



SECTION VIEW

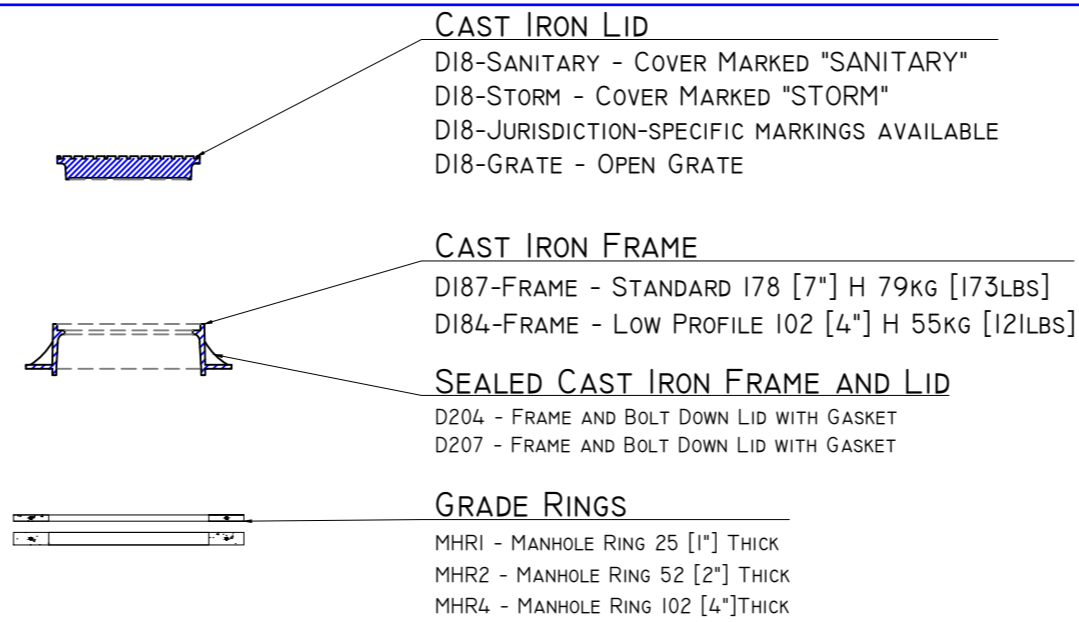
SECTION VIEW



PREBENCHED BASE
PLAN VIEW

SUMP BASE
PLAN VIEW

SCALE 1:30

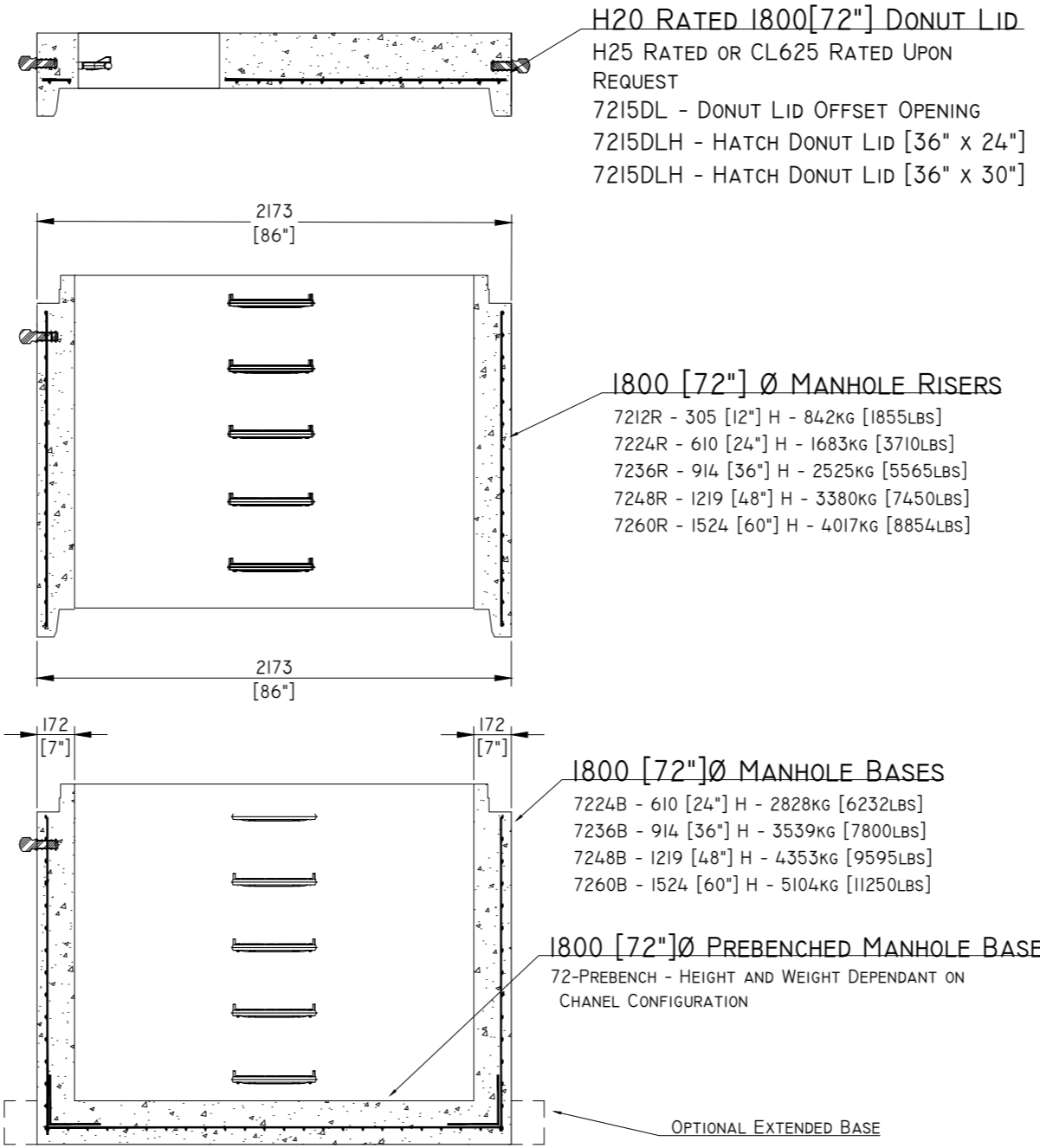


CAST IRON LID
D18-SANITARY - COVER MARKED "SANITARY"
D18-STORM - COVER MARKED "STORM"
D18-JURISDICTION-SPECIFIC MARKINGS AVAILABLE
D18-GRATE - OPEN GRATE

CAST IRON FRAME
D187-FRAME - STANDARD 178 [7"] H 79KG [173LBS]
D184-FRAME - LOW PROFILE 102 [4"] H 55KG [121LBS]

SEALED CAST IRON FRAME AND LID
D204 - FRAME AND BOLT DOWN LID WITH GASKET
D207 - FRAME AND BOLT DOWN LID WITH GASKET

GRADE RINGS
MHR1 - MANHOLE RING 25 [1"] THICK
MHR2 - MANHOLE RING 52 [2"] THICK
MHR4 - MANHOLE RING 102 [4"] THICK



H20 RATED 1800 [72"] DONUT LID
H25 RATED OR CL625 RATED UPON REQUEST
7215DL - DONUT LID OFFSET OPENING
7215DLH - HATCH DONUT Lid [36" x 24"]
7215DLH - HATCH DONUT Lid [36" x 30"]

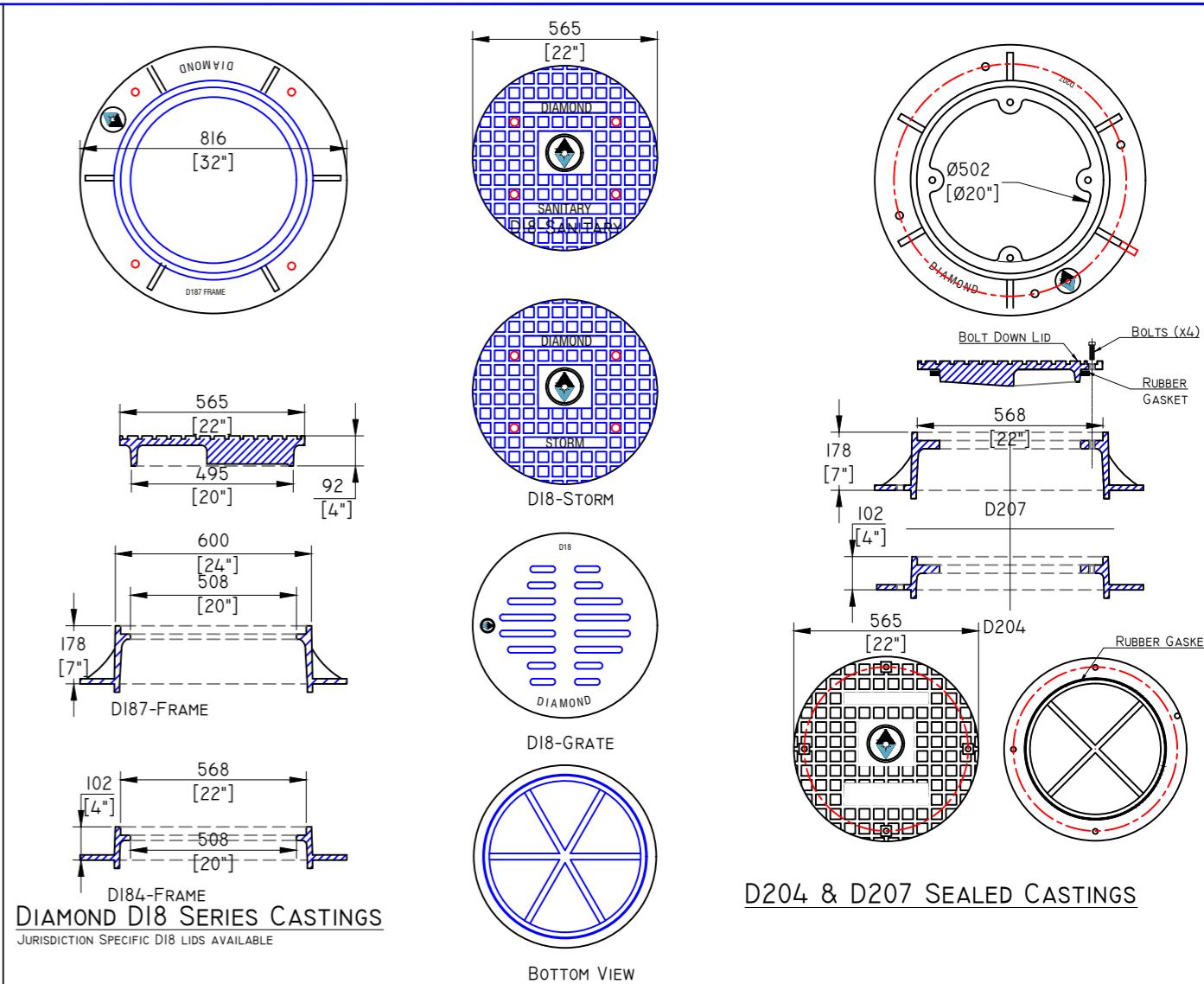
1800 [72"] Ø MANHOLE RISERS
7212R - 305 [12"] H - 84.2KG [185.5LBS]
7224R - 610 [24"] H - 168.3KG [371.0LBS]
7236R - 914 [36"] H - 252.5KG [556.5LBS]
7248R - 1219 [48"] H - 338.0KG [745.0LBS]
7260R - 1524 [60"] H - 401.7KG [885.4LBS]

1800 [72"] Ø MANHOLE BASES
7224B - 610 [24"] H - 282.8KG [623.2LBS]
7236B - 914 [36"] H - 353.9KG [780.0LBS]
7248B - 1219 [48"] H - 435.3KG [959.5LBS]
7260B - 1524 [60"] H - 510.4KG [1125.0LBS]

1800 [72"] Ø PREBENCHED MANHOLE BASE
72-PREBENCH - HEIGHT AND WEIGHT DEPENDANT ON CHANNEL CONFIGURATION

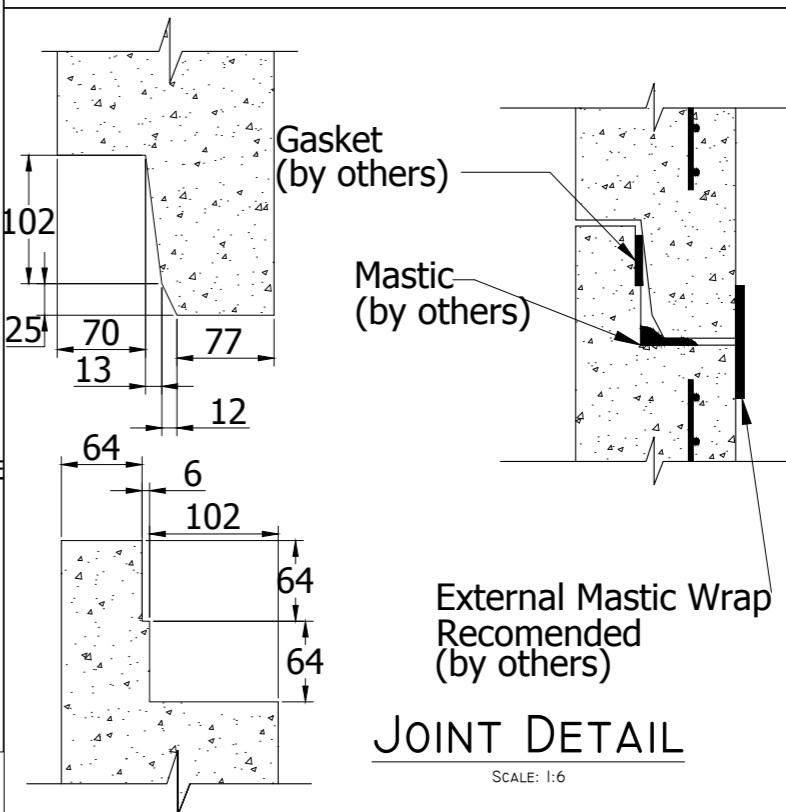
OPTIONAL EXTENDED BASE

SCALE 1:30

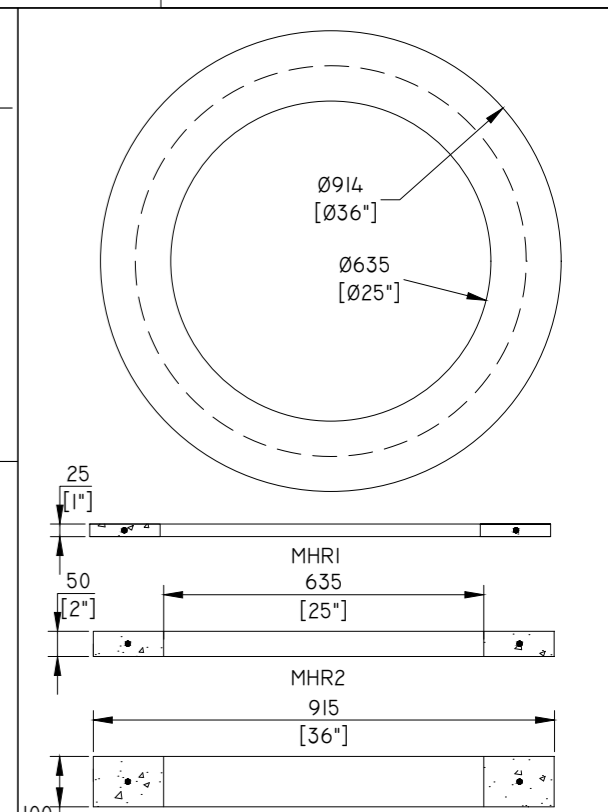


MUNICIPAL CASTINGS
SCALE: 1:20

Specification and General Notes:
1. Design/manufacture to ASTM A48
2. H20 Load Rated
3. Bituminous Tar Coated

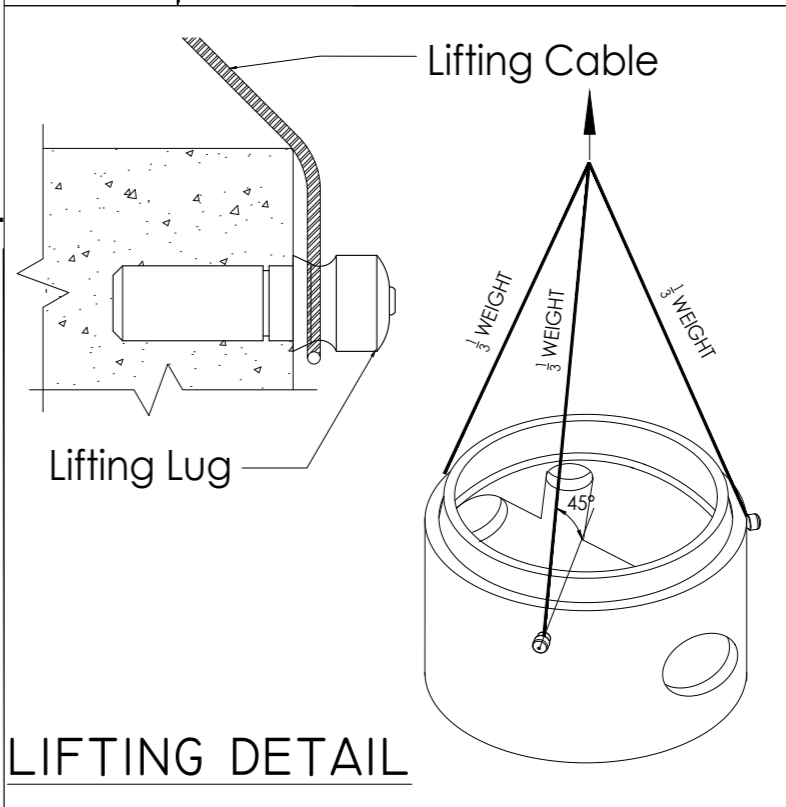


JOINT DETAIL
SCALE: 1:6



GRADE RINGS
SCALE: 1:15

- Precast Concrete Component Specifications and General Notes:**
- All components MMCD PLATINUM (Section 33 44 01) compliant and fabricated to CSA CERTIFICATE OF COMPLIANCE (ASTM C478M)
 - All jurisdiction-specific components SUPPLEMENTAL to MMCD PLATINUM fabricated in accordance with CSA CERTIFICATE OF QUALIFICATION (CSA A23.4-09).
 - Components certified to CSA standards (ASTM C478M & CSA A23.4-09) by approved independent third party certification body accredited by Standards Council of Canada.
 - All components marked with certification body logo and CSA standard markings.
 - Testing to ASTM C497/CSA 23.1 & 2-09.
 - 30 MPa MIN compressive strength (MAX 0.5 W/C ratio).
 - Gasket Joint Seal (ASTM C923M).
 - 25mm MIN concrete cover of reinforcing steel.
 - All dimensions in MILLIMETERS (mm).
 - 300mm welded wire mesh overlap.
 - 5mm manufacturing tolerance.
 - A-3 concrete exposure class.
 - 15MPa MIN stripping strength.
 - Standard grade form finish.
 - Unformed steel trowel or wood float finish.
 - Rigging to meet WORK SAFE BC OHS (Guideline 14/15) requirement (see LIFTING DETAIL).
 - Field installation and testing by others.



LIFTING DETAIL

DIAMOND
PRECAST CONCRETE

SA
A23.4 - 09
ASTM C478

PLATINUM
2009 EDITION

DRAWING DESCRIPTION:
1800 [72"]
MANHOLE ASSEMBLY

DWG NO:
1800-ASSEMBLY

DATE DRAWN:
28/06/2016

DRAWN BY: REV NO:
SD 0

SCALE:
AS NOTED

7520 CONRAD STREET BURNABY, B.C. V5A 2H7
PHONE : 604 415-5181 INFO@DIAMONDPRECAST.COM