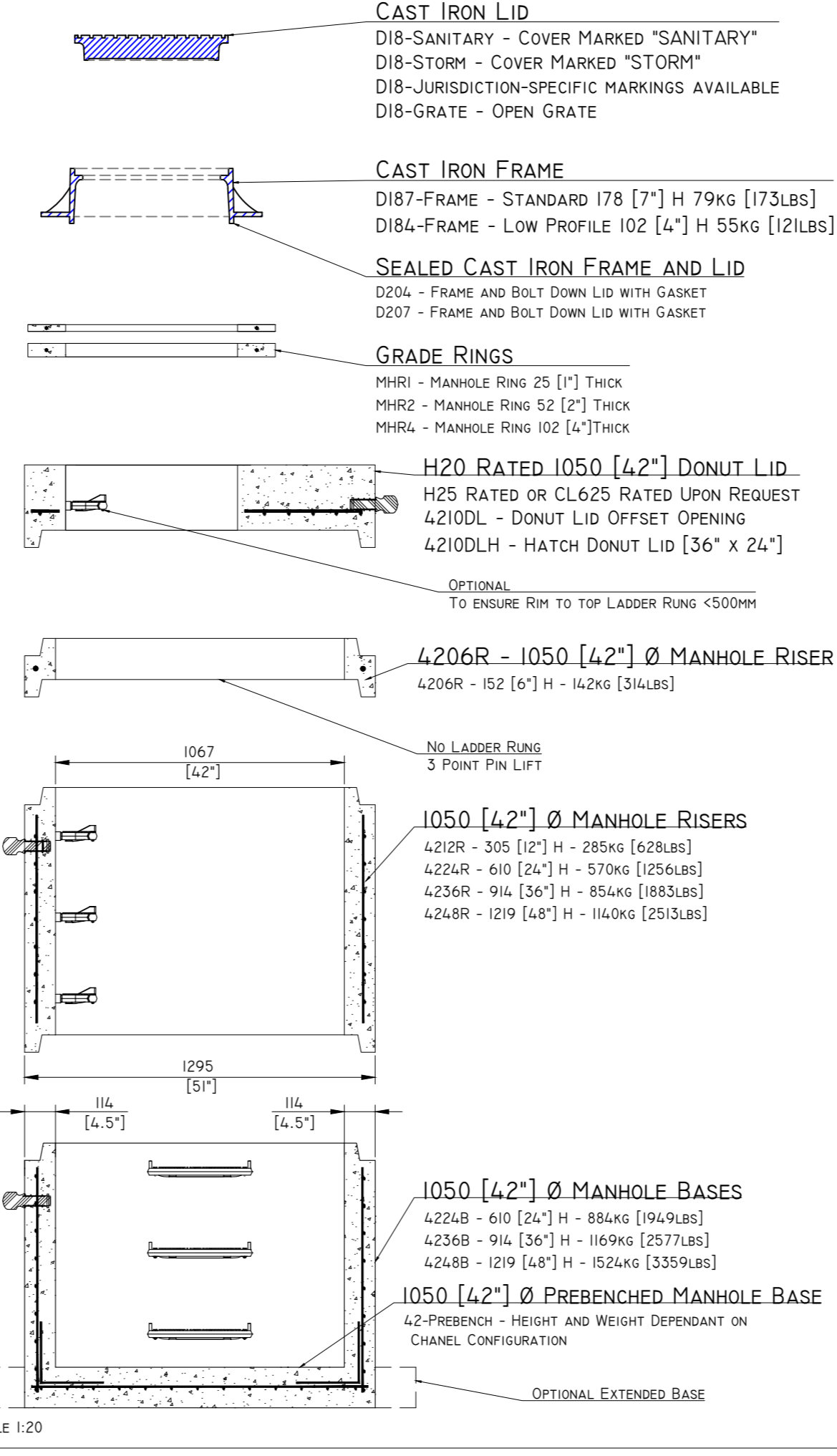
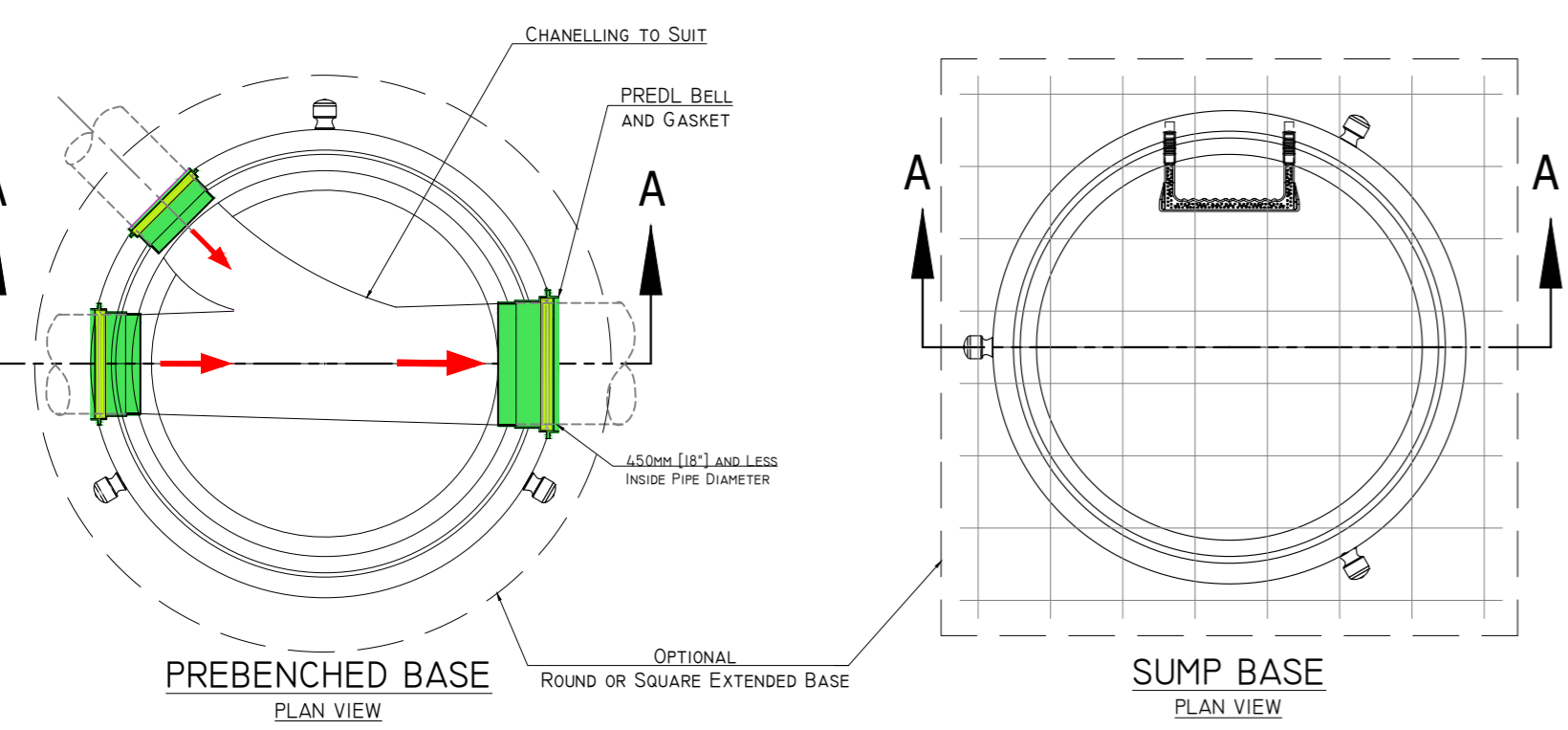
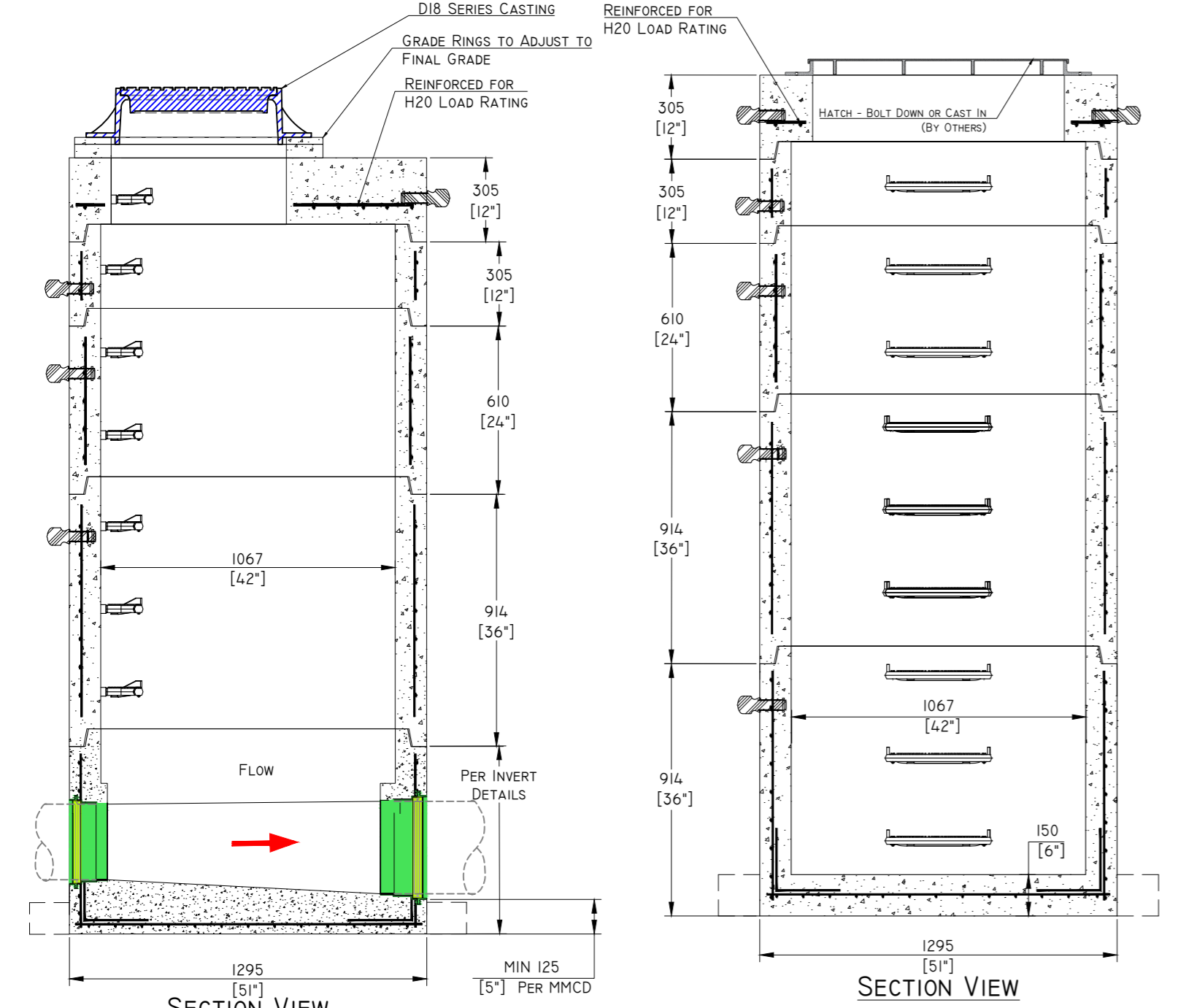
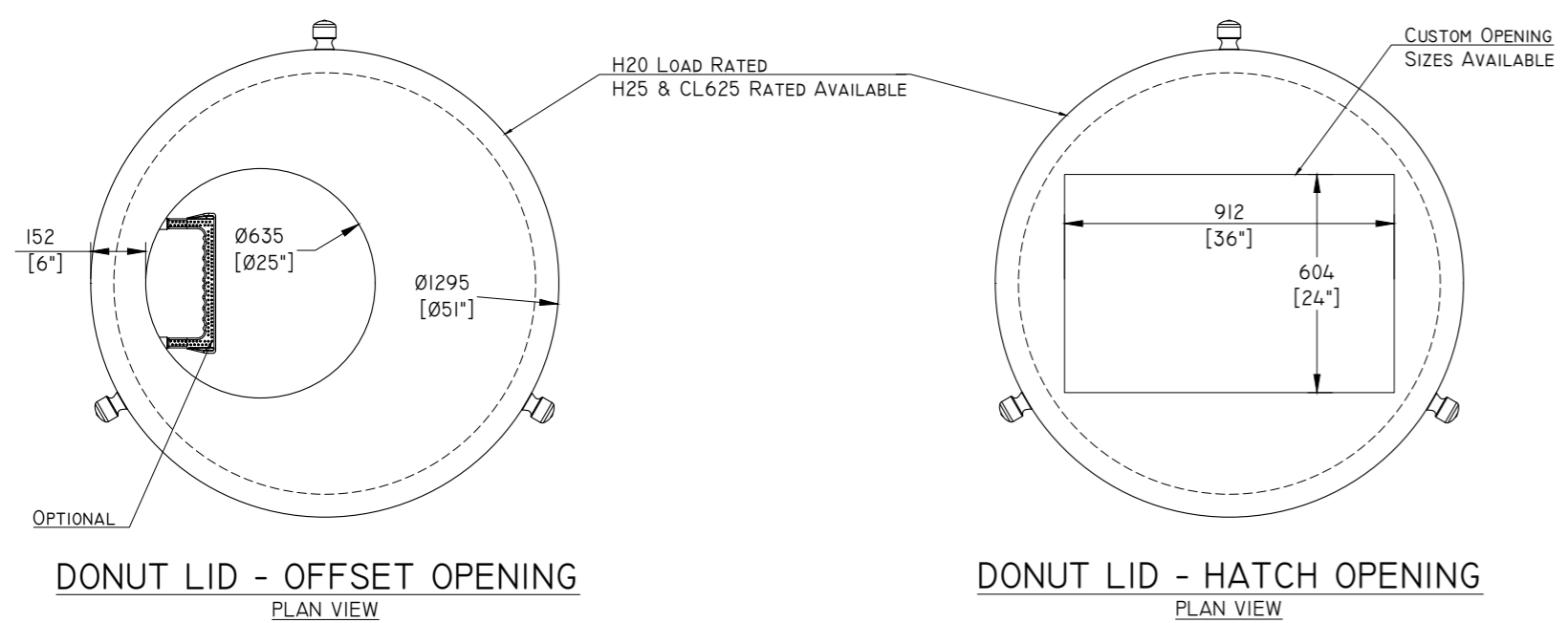
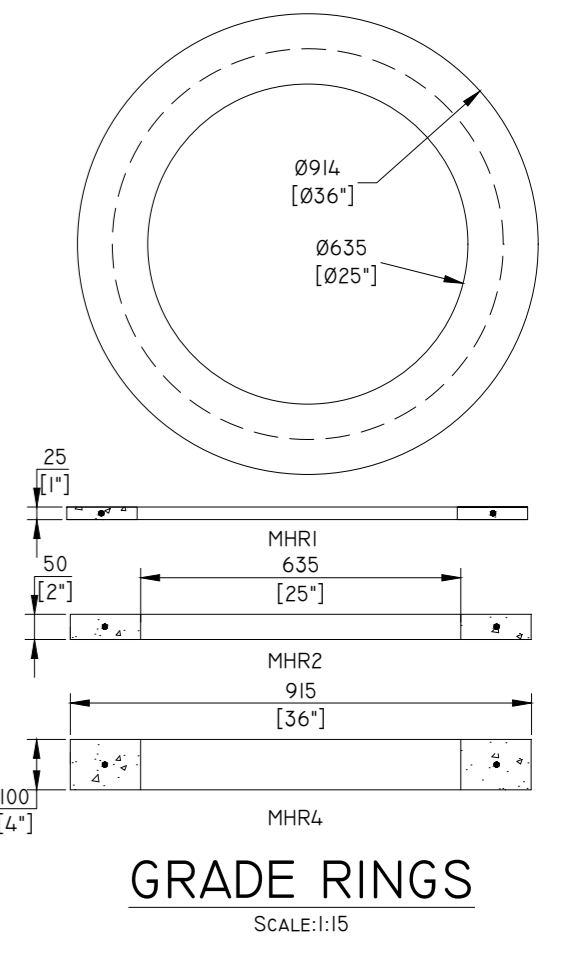
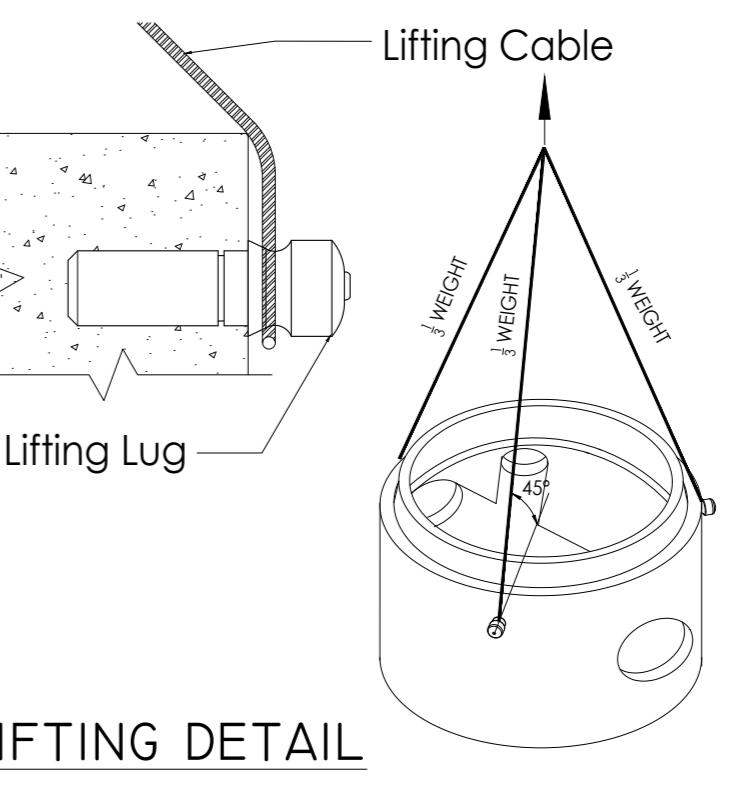
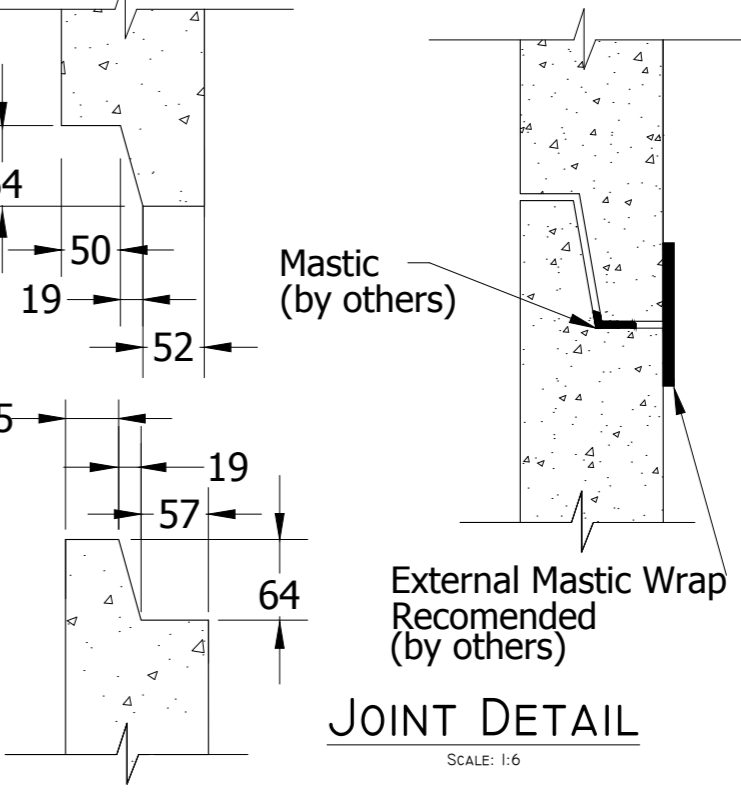
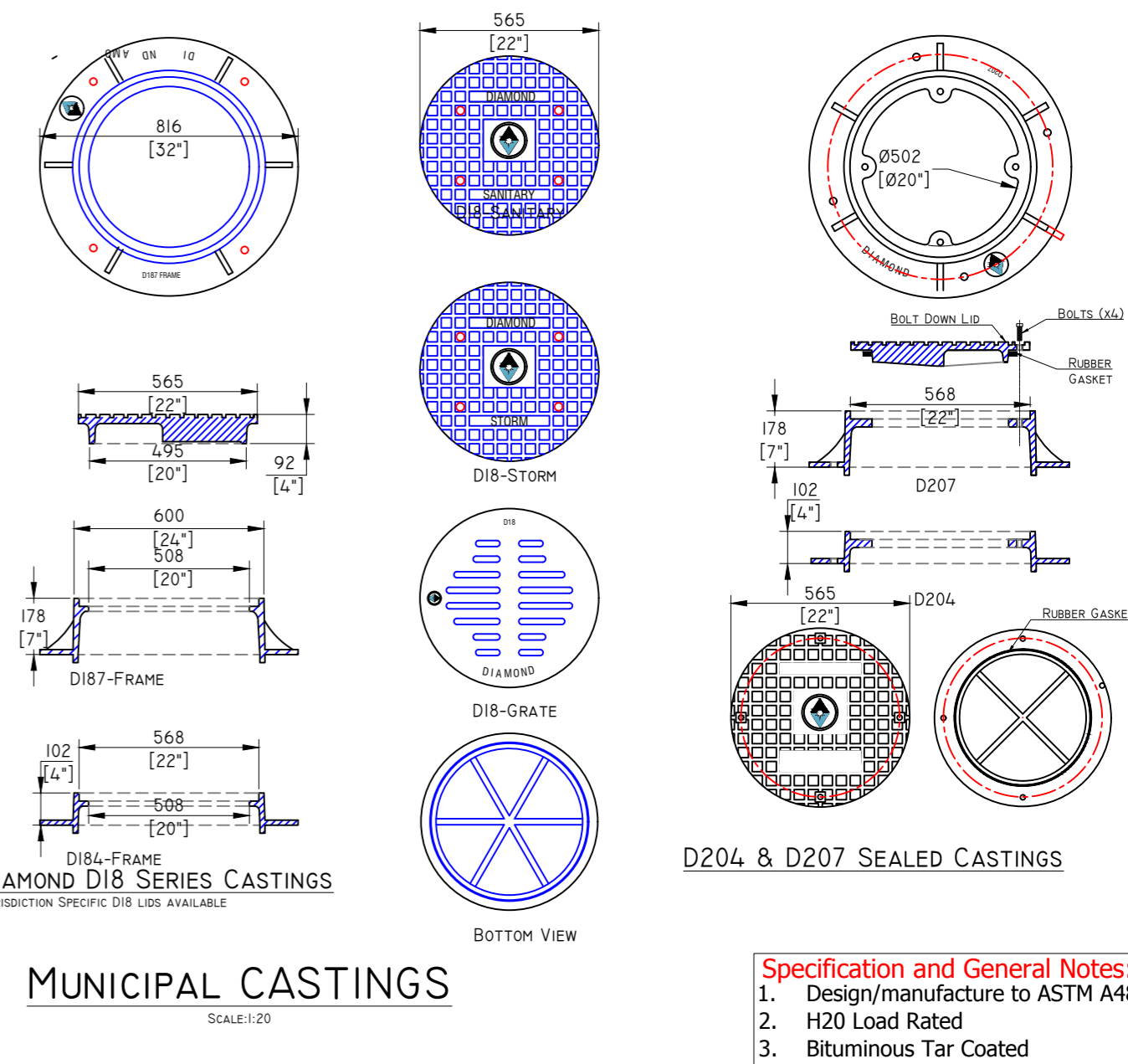


1050MM MANHOLE SPECIFICATION - CSA CERTIFIED -Complies with MMCD PLATINUM (Section 33 44 01)



- Precast Concrete Component Specifications and General Notes:**
- All components MMCD PLATINUM (Section 33 44 01) compliant and fabricated to CSA CERTIFICATE OF COMPLIANCE (ASTM C478M)
 - All jurisdiction-specific components SUPPLEMENTAL to MMCD PLATINUM fabricated in accordance with CSA CERTIFICATE OF QUALIFICATION (CSA A23.4-09).
 - Components certified to CSA standards (ASTM C478M & CSA A23.4-09) by approved independent third party certification body accredited by Standards Council of Canada.
 - All components marked with certification body logo and CSA standard markings.
 - Testing to ASTM C497/CSA 23.1 & 2-09.
 - 30 MPa MIN compressive strength (MAX 0.5 W/C ratio).
 - Mastic joint seal.
 - 25mm MIN concrete cover of reinforcing steel.
 - All dimensions in MILLIMETERS (mm).
 - 300mm welded wire mesh overlap.
 - 5mm manufacturing tolerance.
 - A-3 concrete exposure class.
 - 15MPa MIN stripping strength.
 - Standard grade form finish.
 - Unformed steel trowel or wood float finish.
 - Rigging to meet WORK SAFE BC OHS (Guideline 14/15) requirement (see LIFTING DETAIL).
 - Field installation and testing by others.



DIAMOND PRECAST CONCRETE

CSA A23.4 - 09
ASTM C478

PLATINUM 2009 EDITION

DRAWING DESCRIPTION:
1050 [42"]
MANHOLE ASSEMBLY

DWG NO:
1050-ASSEMBLY

DATE DRAWN:
28/06/2016

DRAWN BY: REV NO:
SD 0

SCALE:
AS NOTED

7520 CONRAD STREET BURNABY, B.C. V5A 2H7
PHONE : 604 415-5181 INFO@DIAMONDPRECAST.COM