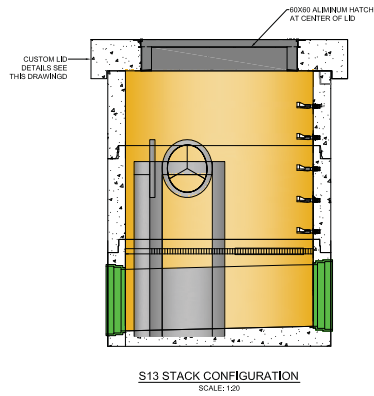
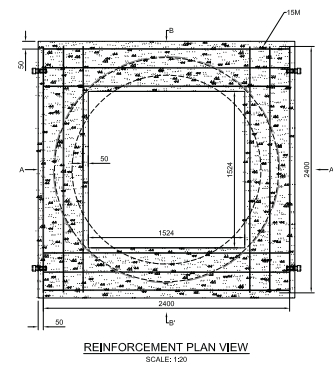
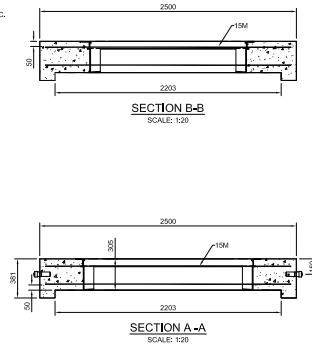
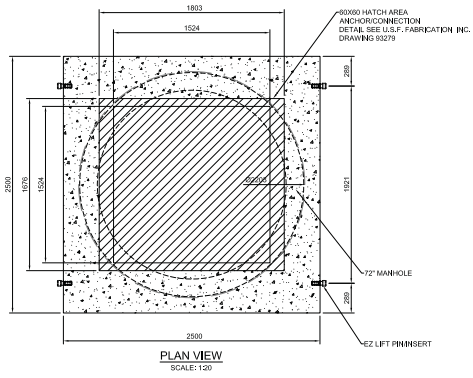


10/20/21 8:53 AM



**GENERAL NOTES AND SPECIFICATIONS**

1. Manhole design/manufacture to ASTM C478 & CSA A517.3 specifications.
2. Concrete testing to ASTM C487/CSA 23.1 & 2406.
3. Min. concrete compressive strength 30 MPa with Max. W/C ratio of 0.5.
4. Concrete cover to be Min. 50mm.
5. All dimensions to be millimeter.
6. Manufacturing tolerance to be +/- 5mm.
7. Min. lifting strength to be 15 kN.
8. All form work to be standard grade.
9. All unformed finish to be Steel Troweled Finish or Wood Float Finish.



DRAWING REFERENCE			
NO.	DATE	BY	REVISION
A	2015/10/03	VW	DRAWING

JOB NUMBER:	00320
DRAWN:	VW
APPROVED:	
DATE:	
SCALE:	AS NOTED
SEAL:	

CONSULTANT:	<b>APOC Engineering Ltd.</b> 200-4170 80th Cross Dr. Burnaby B.C. Canada V5C 4K9 apocengineering.com 604 320 7962
DRAWING TITLE:	<b>PLAN AND DETAILS</b>
PROJECT TITLE:	THURSTON ST. MANHOLE LD
PROJECT LOCATION:	Burnaby, B.C.

DRAWING No	REV.	SHEET
0020-1	A	1 / 1

DESTROY ALL PRINTS BEARING PREVIOUS NO.

C:\DESIGN\PROJECTS\DOWN CONSTRUCTION\THURSTON ST\CUSTOM LID.DWG