

Available Marked "Sewer"; "Water"; "Sani" or Plain



7520 Conrad Street
Burnaby, BC V5A 2H7

Phone : 604 415 5181
Fax : 604 415 5185

DRAWN BY: P.S DATE: 04/2007

APPROVED:

REVISION:

SCALE: NOT TO SCALE

LOAD RATING
H-20

MATERIAL SPECIFICATION
ASTM A 48

COATING
BITUMINOUS TAR COATED
(UNCOATED ON REQUEST)

ESTIMATED WEIGHT -
60 LBS.

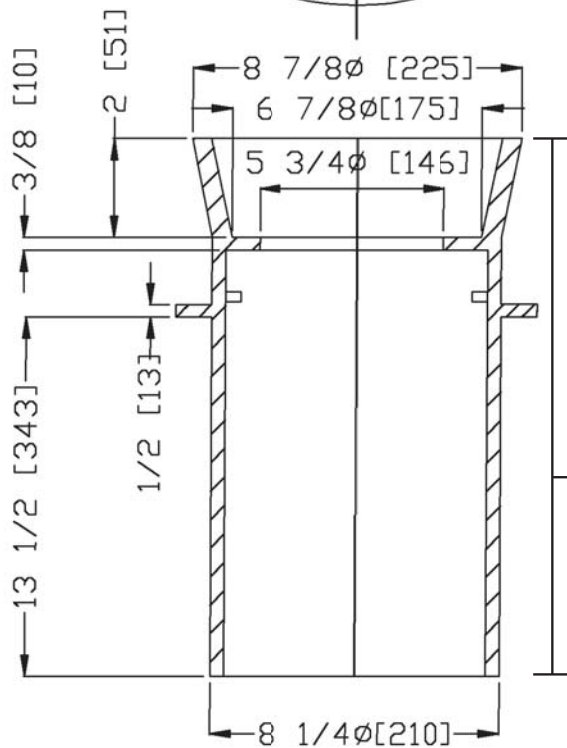
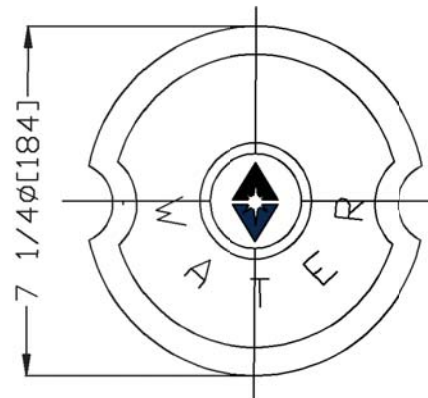
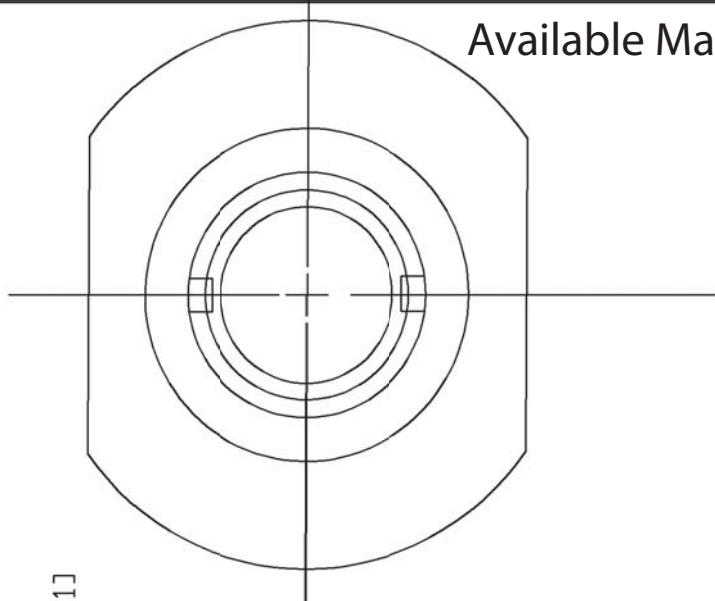
Note:

Also Available with
Locking Lid

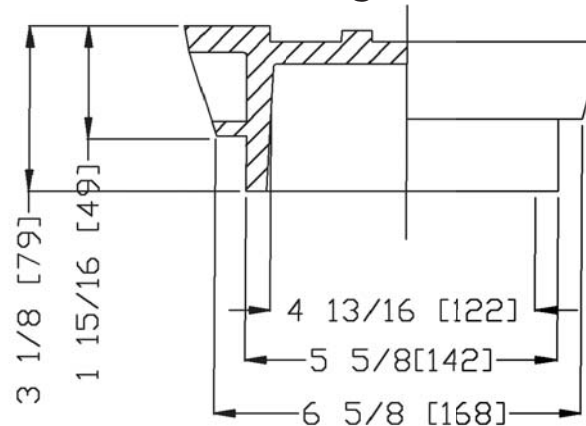
PART / DWG NUMBER

VALVE BOX & LID

CATALOG NUMBER



Available 12" or 18"
Overall Height



LID

Nt Valve Box & Lid