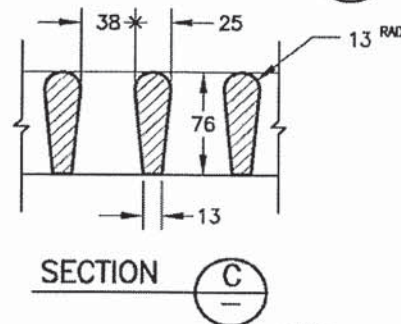
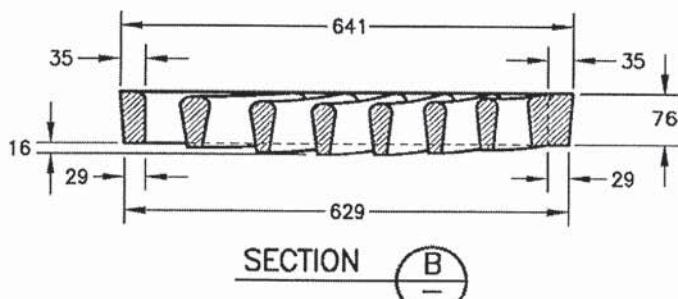
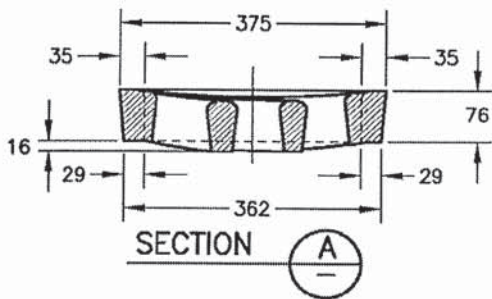
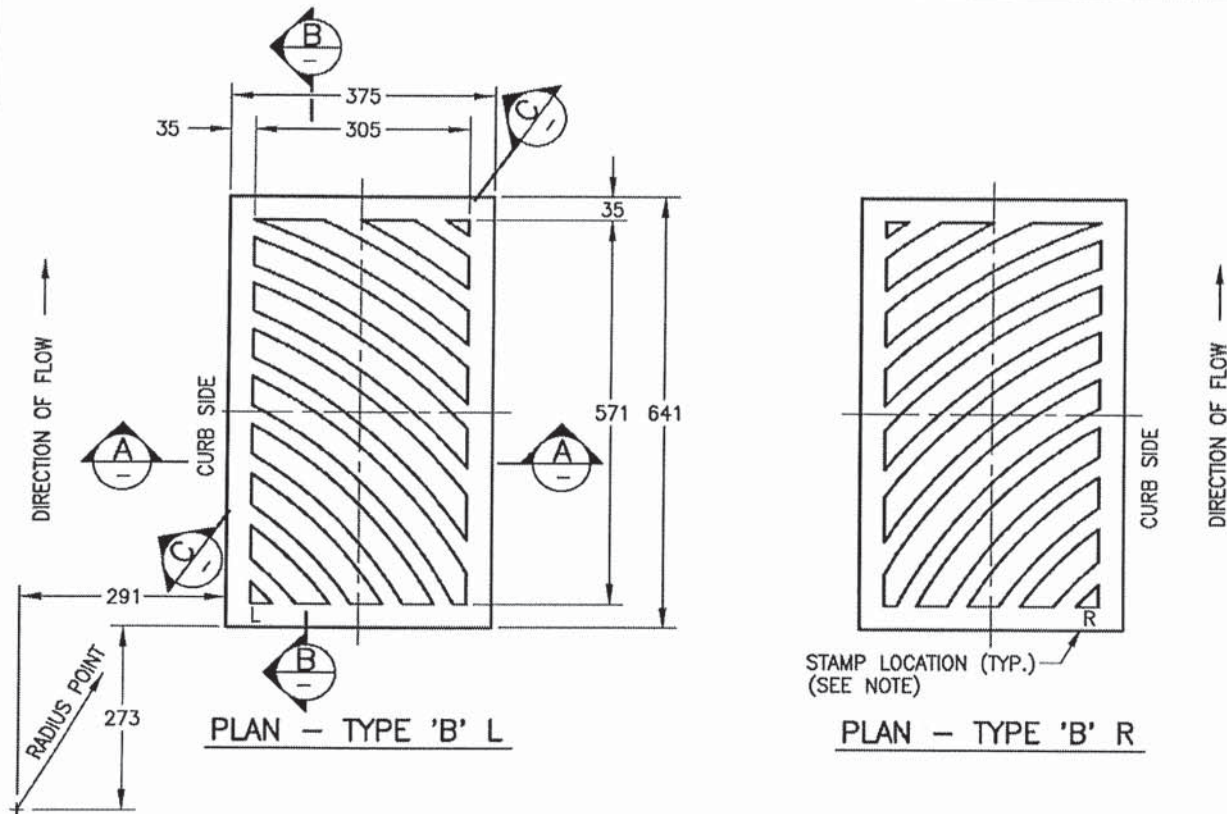


TYPE 'B' CATCH BASIN GRATE (BICYCLE SAFE GRATE)

SP582-05.02



NOTES:

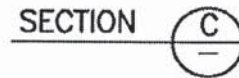
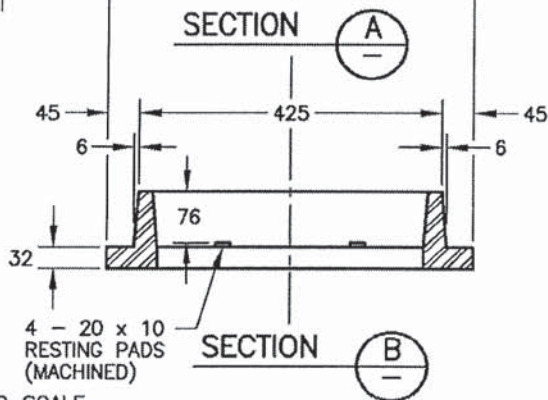
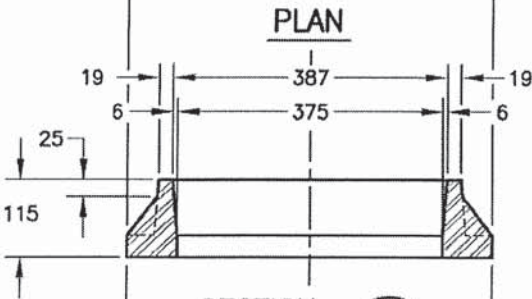
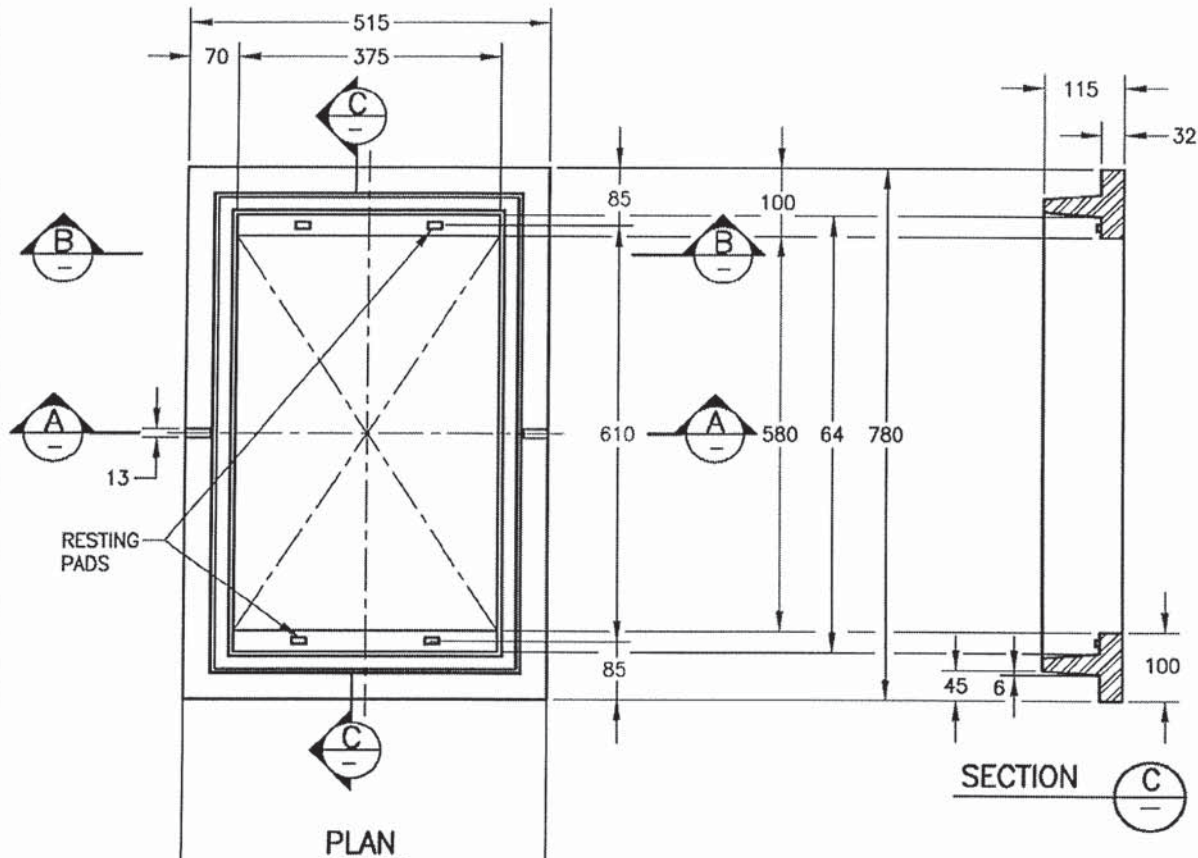
1. GRATES TO FIT CATCH BASIN FRAMES (SEE SP582-05.03 & SP582-05.04).
2. ALL MATERIAL TO BE CAST IRON.
3. GRATES TO BE STAMPED 'L' OR 'R' AS APPLICABLE, AT TIME OF MANUFACTURE.

NOT TO SCALE
ALL DIMENSIONS ARE IN MILLIMETRES UNLESS OTHERWISE NOTED



SINGLE INLET CATCH BASIN FRAME

SP582-05.03



NOTES:

1. FRAME TO FIT CATCH BASIN GRATES (SEE SP582-05.01 & SP582-05.02).
2. ALL MATERIAL TO BE CAST IRON
3. CATCH BASIN FRAME TO BE USED WITH CATCH BASIN LID ACCESS OPENING 375 mm x 580 mm
4. FOR INSTALLATION SEE SP582-05.05

NOT TO SCALE
ALL DIMENSIONS ARE IN MILLIMETRES UNLESS OTHERWISE NOTED

