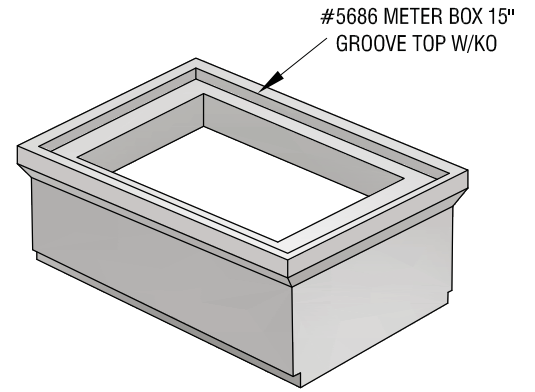
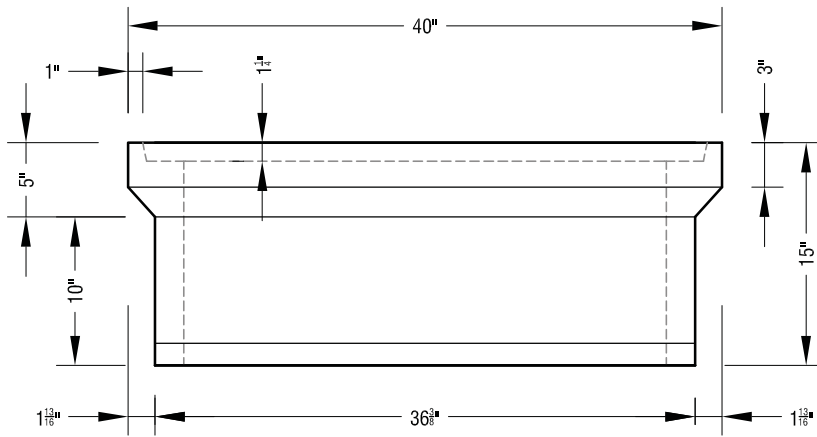


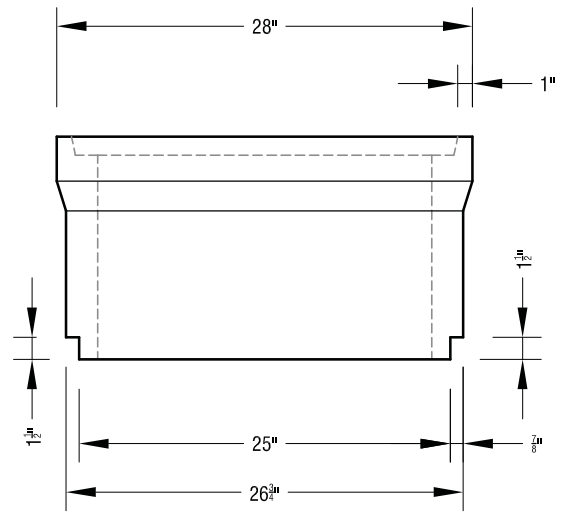
PLAN VIEW
N.T.S.



SKETCH VIEW
N.T.S.




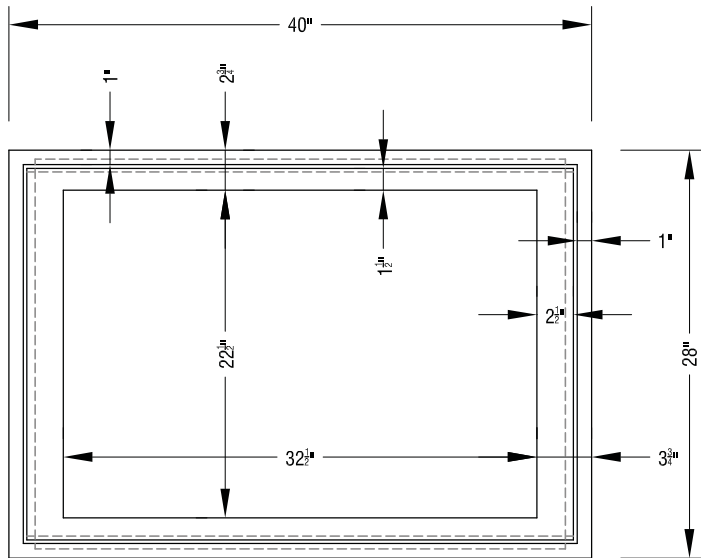
SIDE ELEVATION VIEW
N.T.S.



END ELEVATION VIEW
N.T.S.

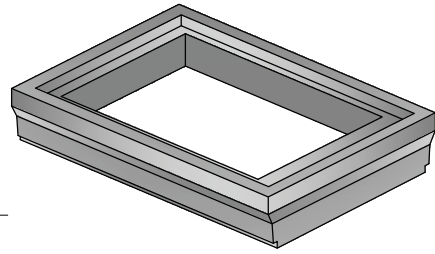
ESTIMATED WEIGHT - 165 LBS.

NOTES : NOT FOR USE IN TRAVELLED PORTIONS OF ROADWAY	 DIAMOND PRECAST CONCRETE 7520 Conrad Street Burnaby, B.C. V5A 2H7 Phone : 604 415-9944 Fax : 604 415-9954	DRAWN BY : R.H.	DATE : OCT. 01/13	PRODUCT: METER BOXES	CATALOG NUMBER: MB568615
		APPROVED :	LOAD RATING	DESCRIPTION: #5686 METER BOX 15" GROOVE TOP WITH K/O	
MATERIAL SPECIFICATION CONCRETE		REV. DATE :	REV. NO.		
		SCALE : N.T.S.			



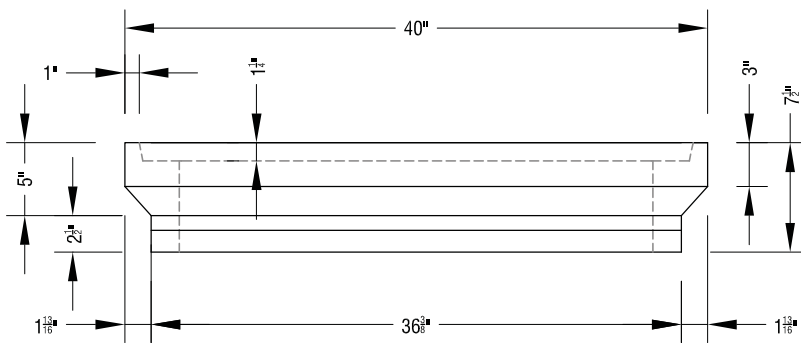
PLAN VIEW

N.T.S.



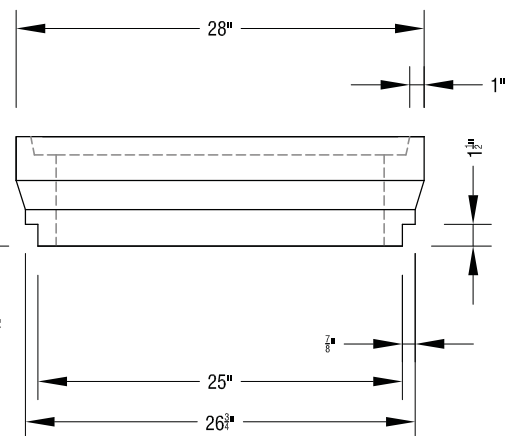
SKETCH VIEW

N.T.S.



SIDE ELEVATION VIEW

N.T.S.



END ELEVATION VIEW

N.T.S.

ESTIMATED WEIGHT - 110 LBS.

NOTES :

NOT FOR USE IN TRAVELLED
PORTIONS OF ROADWAY



7520 Conrad Street Burnaby, B.C. V5A 2H7
Phone : 604 415-9944 Fax : 604 415-9954

DRAWN BY :

R.H.

DATE :

OCT. 01/13

PRODUCT:

METER BOXES

CATALOG NUMBER:

MB568607

APPROVED :

LOAD RATING

DESCRIPTION:

#5686 METER BOX 7"
GROOVE TOP

DWG. NO.

SHEET NO.
1 OF 1

MATERIAL SPECIFICATION

CONCRETE

SCALE :
N.T.S.