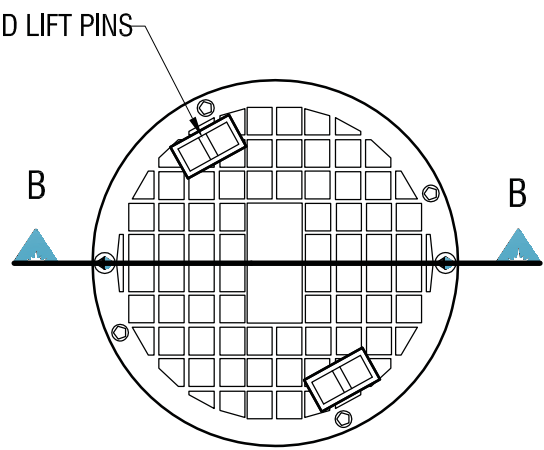


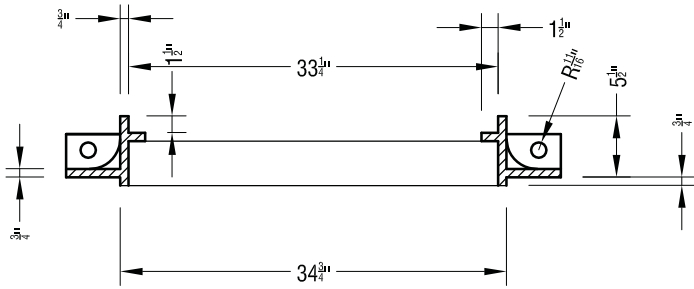
PLAN VIEW

D42 Cast Iron Frame

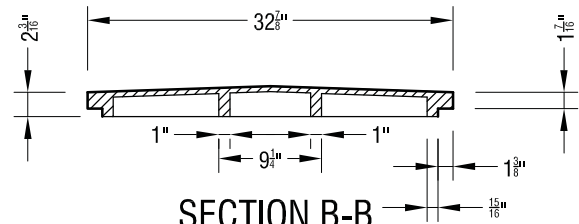


PLAN VIEW

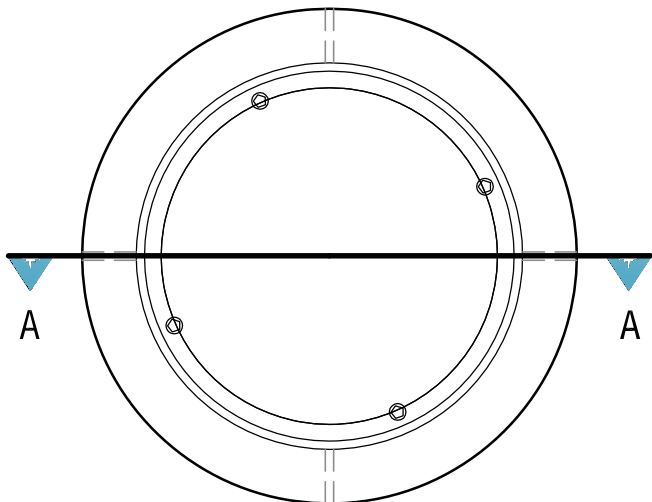
D42 Cast Iron Lock Down Cover



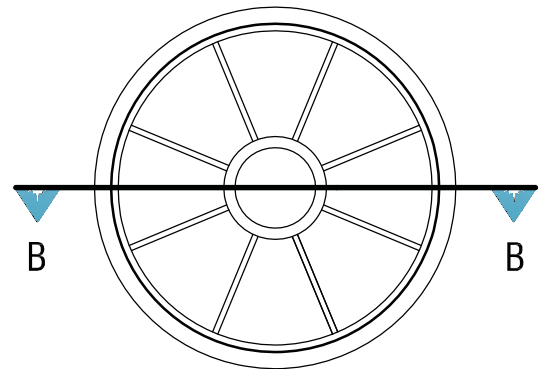
SECTION A-A



SECTION B-B



BOTTOM VIEW



BOTTOM VIEW

ESTIMATED WEIGHT - **LBS**

NOTES :
COATING
 BITUMINOUS TAR COATED
 (UNCOATED ON REQUEST)

DIAMOND
 PRECAST CONCRETE

7520 Conrad Street Burnaby, B.C. V5A 2H7
 Phone : 604 415-9944 Fax : 604 415-9954

MATERIAL SPECIFICATION

ASTM A 48

DRAWN BY :

R.H.

APPROVED :

REVISION :

SCALE :
N.T.S.

DATE :

MAY. 06/13

LOAD RATING

REV. NO.

PROJECT :

DESCRIPTION :

**D42-CAST IRON FRAME
 AND LOCK DOWN COVER**

CATALOG NUMBER :

1

DWG. NO.

**SHEET NO.
 1 OF 1**