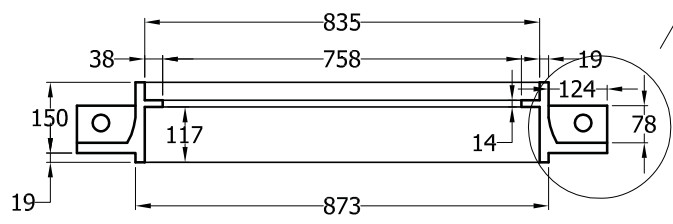
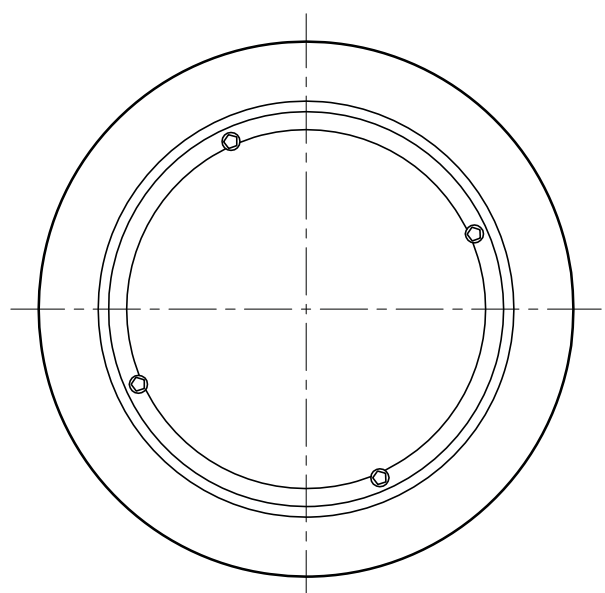


TOP

DETAIL



CROSS-SECTION



BOTTOM

ALL DIMS IN mm

ESTIMATED WEIGHT: 364 LBS

NOTES :

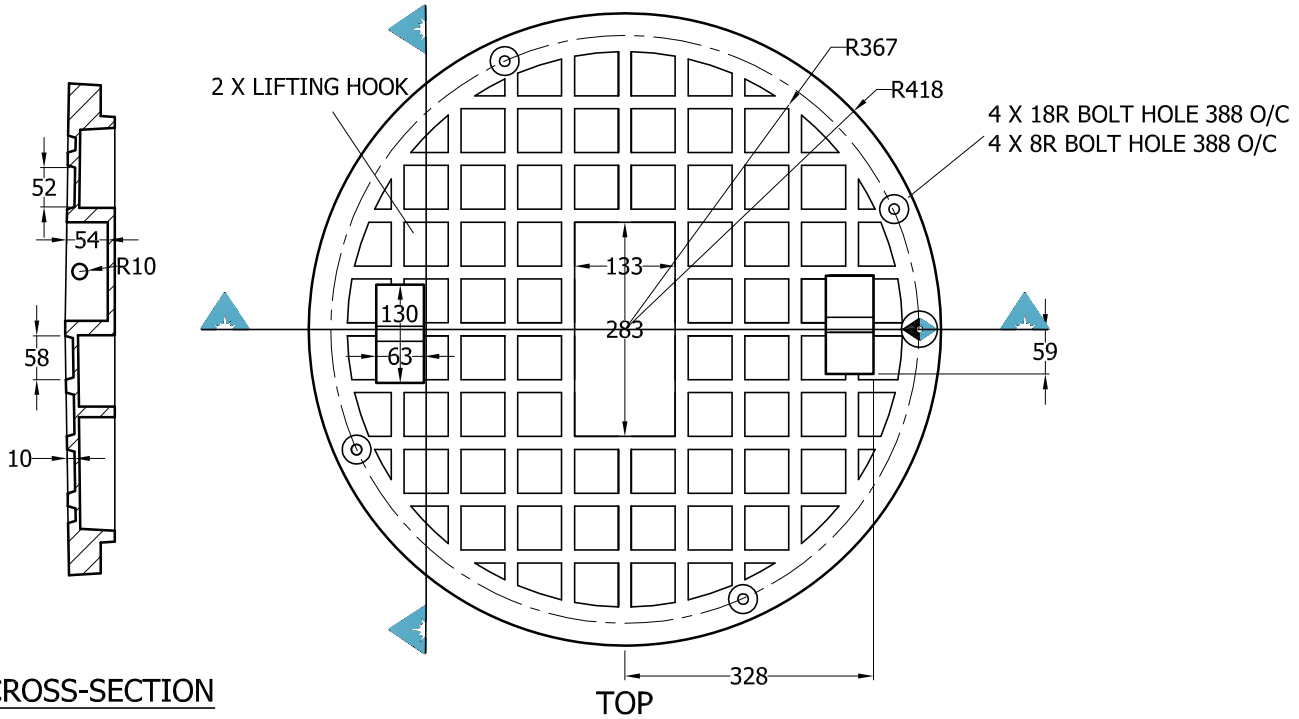
DIAMOND
 PRECAST CONCRETE
 7520 Conrad Street Burnaby, B.C. V5A 2H7
 Phone : 604 415-9944 Fax : 604 415-9954

DRAWN BY : CS
 DATE : MAR 18/14
 APPROVED :
 RATING : H20
 DATE : MAR 18/14
 REV. # : 00
 SCALE : N/A

PRODUCT: CAST IRON
 DESCRIPTION: MANHOLE FRAME FITS THE D42 COVER

ITEM #: D42-FRAME
 DWG. #: DC4211
 SHEET #: 01

MATERIAL SPECIFICATION:
 CI-GRADE AS PER ASTM A-48



CROSS-SECTION

TOP

CROSS-SECTION

BOTTOM

ALL DIMS IN mm

ESTIMATED WEIGHT: 240 LBS

NOTES :

DIAMOND
 PRECAST CONCRETE
 7520 Conrad Street Burnaby, B.C. V5A 2H7
 Phone : 604 415-9944 Fax : 604 415-9954

DRAWN BY : CS
 DATE : MAR 13/14
 APPROVED :
 RATING : H20
 DATE : MAR 13/14
 REV. # : 00
 SCALE : N/A

PRODUCT: CAST IRON
 DESCRIPTION: SEALED CAST IRON LID

ITEM #: D42-COVER
 DWG. #: DC4210
 SHEET #: 01

MATERIAL SPECIFICATION:
 CI-GRADE AS PER ASTM A-48