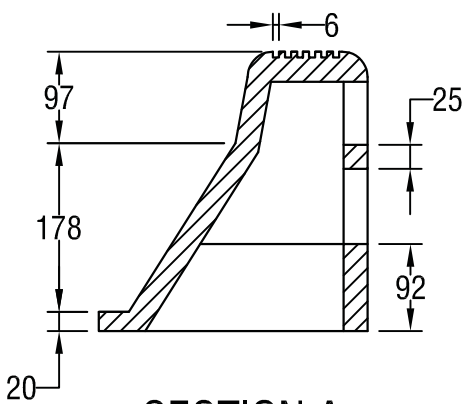
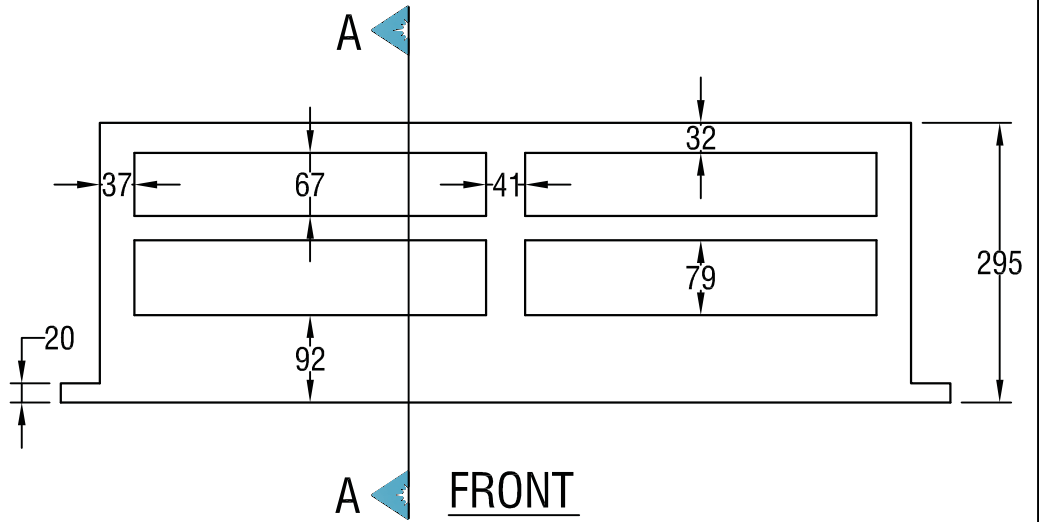
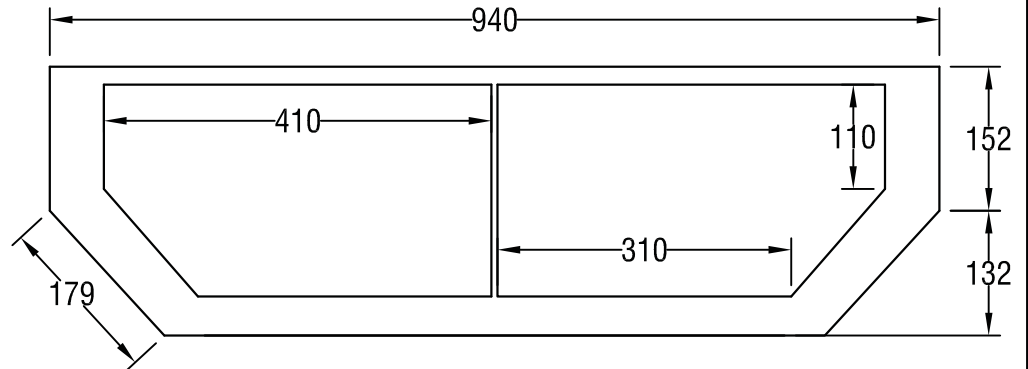


PROFILE



SECTION A



BOTTOM

ALL DIMS IN mm

WEIGHT: 198#

NOTES :

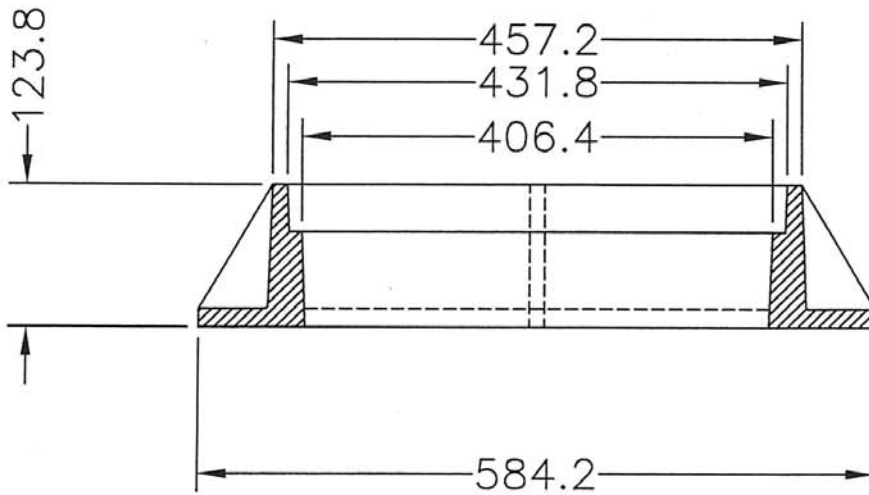
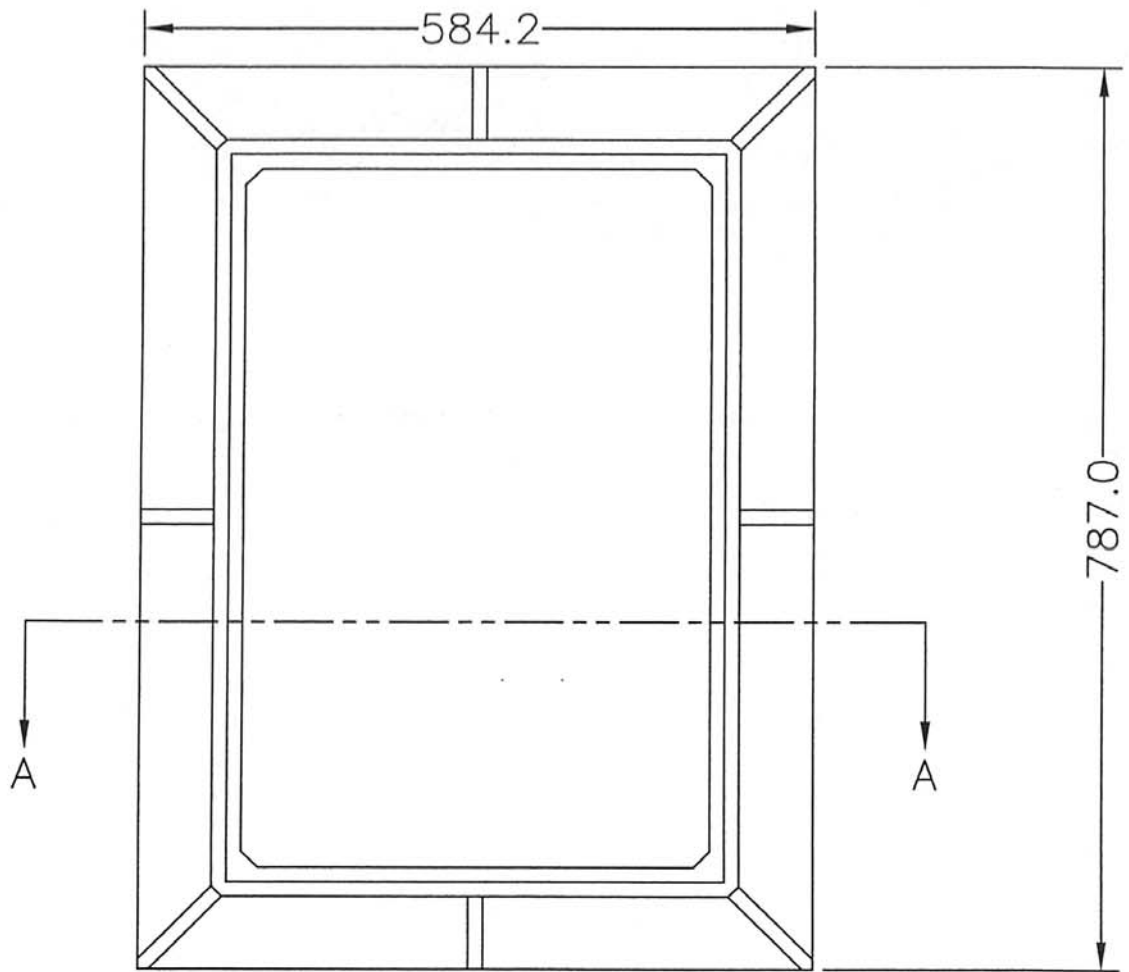


7520 Conrad Street Burnaby, B.C. V5A 2H7
Phone : 604 415-9944 Fax : 604 415-9954

DRAWN BY :	DATE :
CS	MAY 01/14
APPROVED :	RATING :
	H20
DATE :	REV. #:
MAY 01/14	00
SCALE :	
N/A	

PRODUCT:	ITEM #:
CASTING	D39B
DESCRIPTION:	SIDE INLET
SIDE INLET GRATE FOR CATCH BASINS	DWG. #:
	DC3910
	SHEET #:
	01

MATERIAL SPECIFICATION:
CI-GRADE AS PER ASTM A 48



APPROX. WEIGHT
54 Kg

SECTION A-A

NOTES:

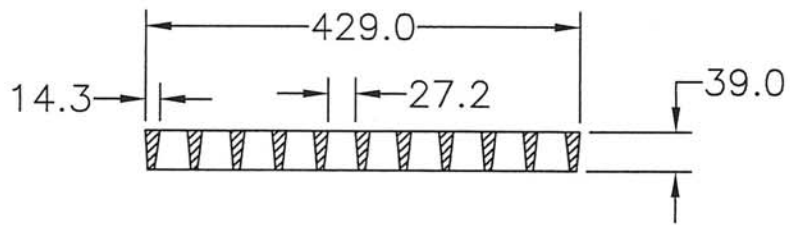
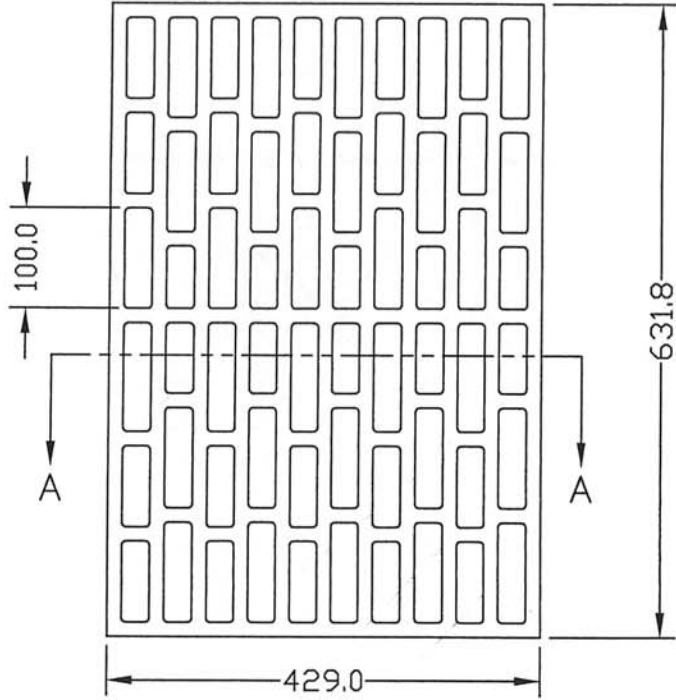
THIS CATCH BASIN IS INTENDED
FOR USE WITH **D39B-SIDE INLET**

DIAMOND PRECAST CONCRETE
7520 Conrad Street Burnaby, B.C. V5A 2H7
Phone : 604 415-9944 Fax : 604 415-9954
diamondprecast.com

RATING-HWY LOAD

432 x 635
CATCH BASIN FRAME

NO.
D-39A



SECTION A-A

MATERIAL:
DUCTILE IRON

APPROX. WEIGHT
28 Kg

DIAMOND PRECAST CONCRETE
7520 Conrad Street Burnaby, B.C. V5A 2H7
Phone: 604 415-9944 Fax: 604 415-9954
diamondprecast.com

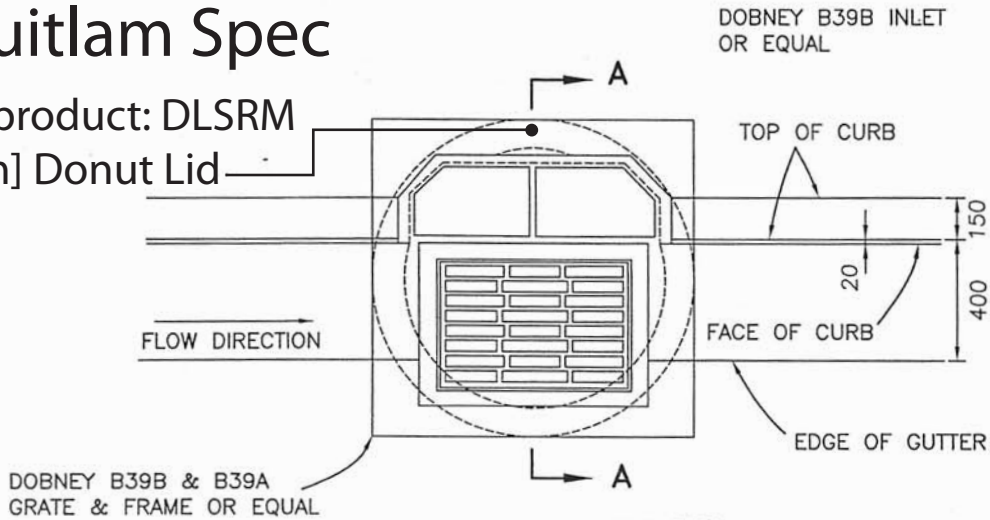
RATING-HWY LOAD

432 x 635
MODIFIED GRATE

NO.
D-39M

Coquitlam Spec

DIAMOND product: DLSRM
36" [900mm] Donut Lid



NOTE:

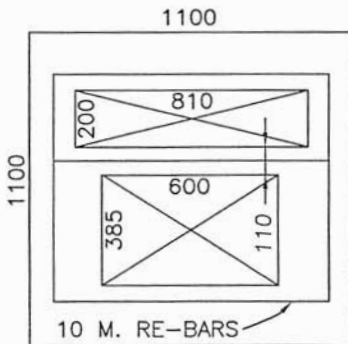
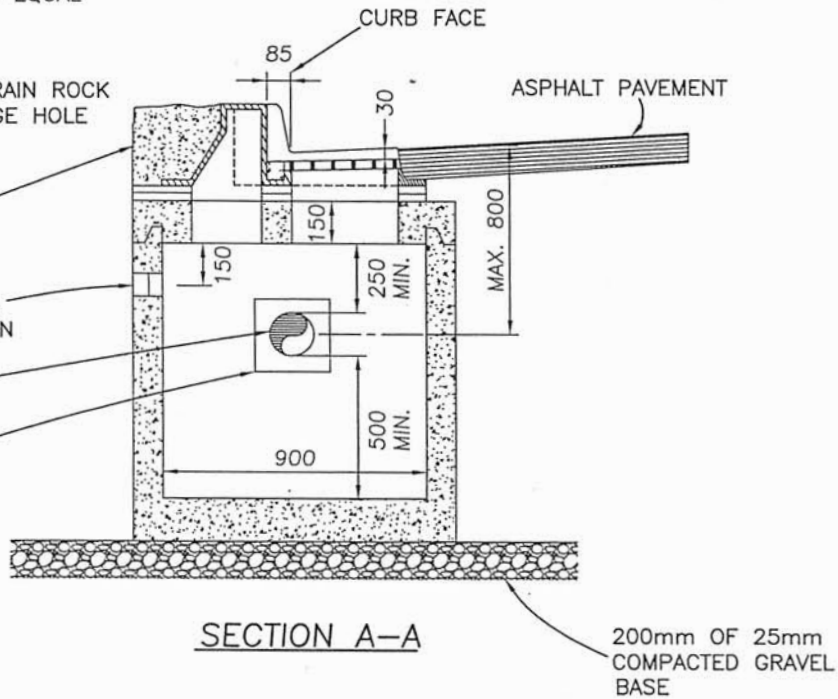
PLACE 0.05 cu m DRAIN ROCK ADJACENT TO DRAINAGE HOLE WHEN BACKFILLING

CONCRETE BEHIND FRAME

80 Ø DRAINAGE HOLE c/w #4 GALV. SCREEN

CORE FOR OUTLET MIN. 150mm

TRAPPING HOOD



CONCRETE LID DETAILS

City of Coquitlam

SIDE INLET CATCH BASIN ASSEMBLY

REVISIONS				No.	DATE:	CKD.	APP.
DESIGNED BY:	MC	DRAWN BY:	A.S.K.	CHECKED BY:	APPROVED BY:		
SCALE:	N.T.S.	DATE:	AUG 7/97	DRAWING NO.:			COQ-S11A