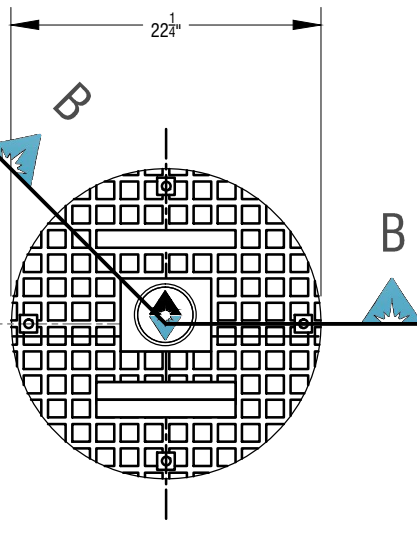
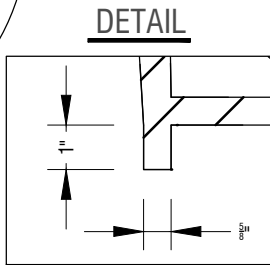
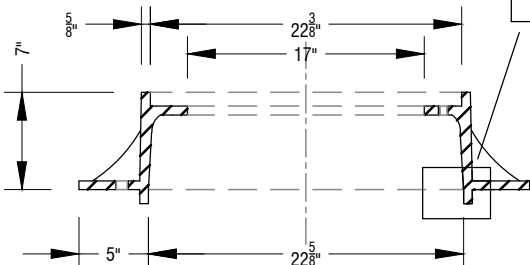


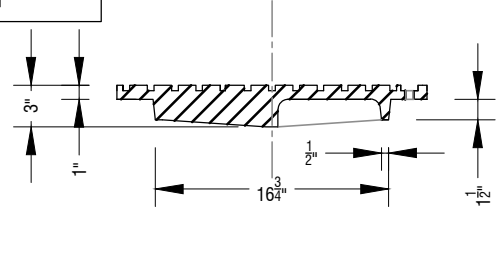
TOP VIEW



TOP VIEW

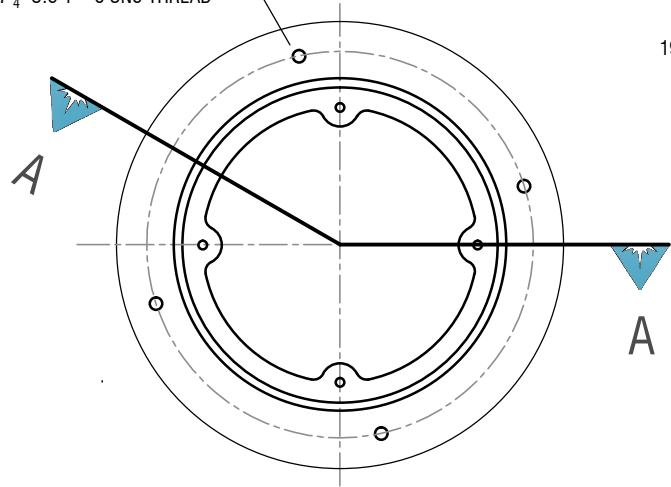


SECTION A



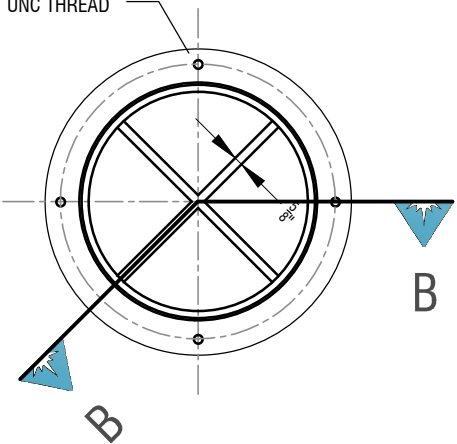
SECTION B

27 3/4" O.C 1" - 8 UNC THREAD



BOTTOM VIEW

19 3/4" O.C 5/8" - 11 UNC THREAD



BOTTOM VIEW

ESTIMATED WEIGHT: 364 LBS

NOTES :	<p>7520 Conrad Street Burnaby, B.C. V5A 2H7 Phone : 604 415-9944 Fax : 604 415-9954</p>	DRAWN BY :	DATE :	PRODUCT :	CATALOG NUMBER :
		T.H	SEP. 12/14	CASTING	D207-SEALED SET
MATERIAL SPECIFICATION	CI-GRADE AS PER ASTM A 48	APPROVED :	LOAD RATING :	DESCRIPTION :	DWG. NO. :
		R.N	H20		DC20701
		REVISION :	REV NO :		SHEET NO. :
		SCALE :		SEALED MANHOLE COVER	1 OF 1
		N.T.S.			