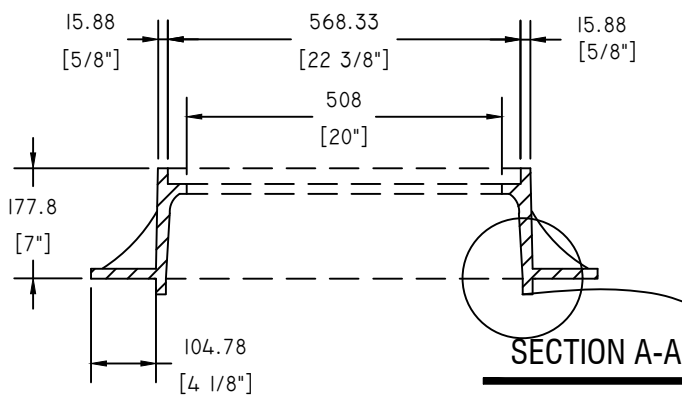
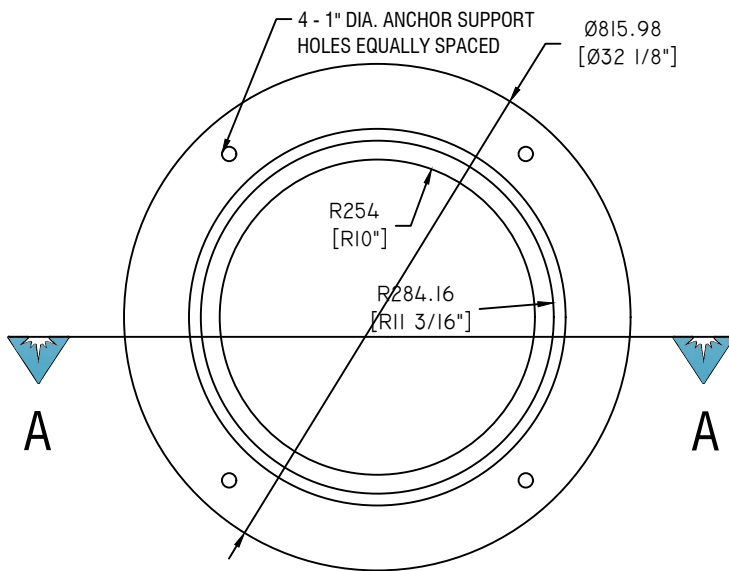
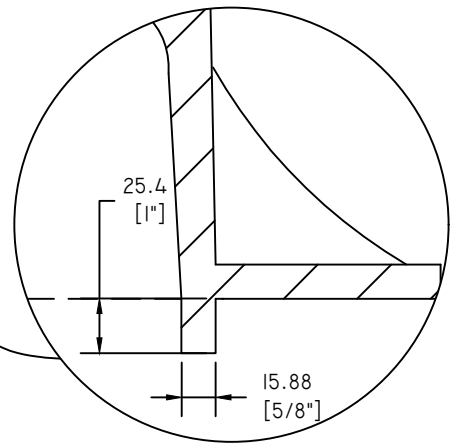


SKETCH VIEW



SECTION A-A



CAST IRON FRAME - BOTTOM VIEW

ESTIMATED WEIGHT - 48.98KGs

NOTES :
COATING
BITUMINOUS TAR COATED
(UNCOATED ON REQUEST)

Diamond
PRECAST CONCRETE
7520 Conrad Street Burnaby, B.C. V5A 2H7
Phone : 604 415-9944 Fax : 604 415-9954

DRAWN BY : R.H.	DATE : SEPT. 26/13
APPROVED :	LOAD RATING H20
REVISION : DJS	REV. NO. MAY 11/16
SCALE : N.T.S.	

PRODUCT: CASTING	CATALOG NUMBER: D187-FRAME
DESCRIPTION: MANHOLE FRAME 7"	DWG. NO.
	SHEET NO. 1 OF 1

MATERIAL SPECIFICATION
ASTM A 48