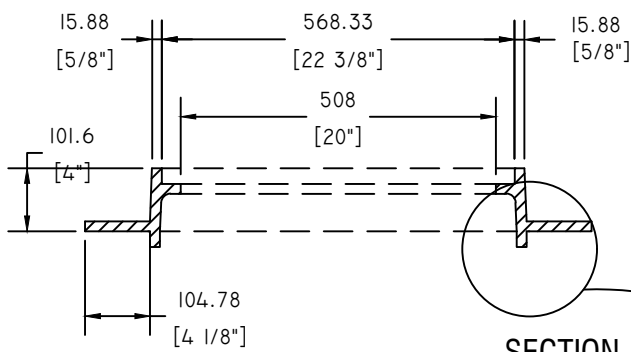
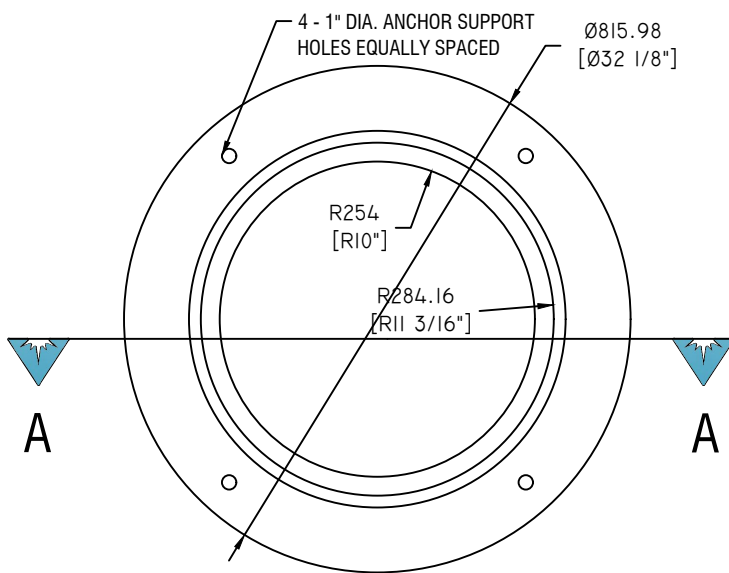
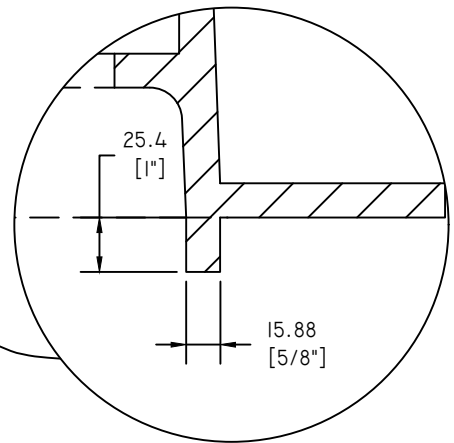


SKETCH VIEW



SECTION A-A



CAST IRON FRAME - BOTTOM VIEW

ESTIMATED WEIGHT -52.62 KGs

NOTES :
COATING
BITUMINOUS TAR COATED
(UNCOATED ON REQUEST)

Diamond
PRECAST CONCRETE
7520 Conrad Street Burnaby, B.C. V5A 2H7
Phone : 604 415-9944 Fax : 604 415-9954

DRAWN BY :	DATE :
R.H.	SEPT. 26/13
APPROVED :	LOAD RATING
	H20
REVISION :	REV. NO.
DJS	MAY 11/16
SCALE :	
N.T.S.	

PRODUCT:	CATALOG NUMBER:
CASTING	D184-FRAME
DESCRIPTION:	DWG. NO.
MANHOLE FRAME 7" BURNABY	SHEET NO.
	1 OF 1

MATERIAL SPECIFICATION

ASTM A 48