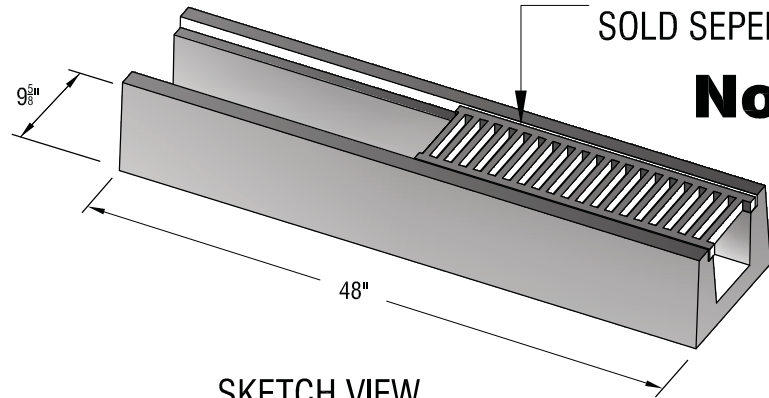


D624-GRATE
SOLD SEPERATE

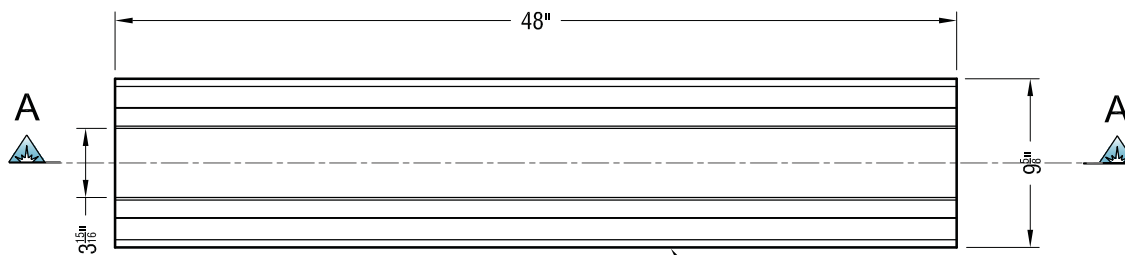
No. 9



SKETCH VIEW

SCALE : N.T.S.

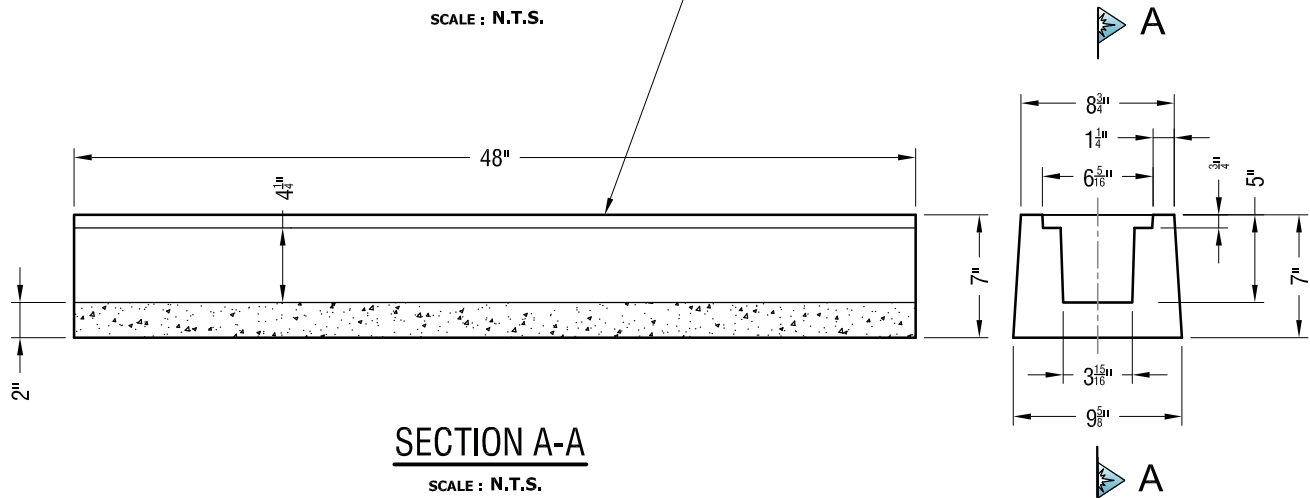
TR648 DRIVEWAY TRENCH



PLAN VIEW

SCALE : N.T.S.

TR648 DRIVEWAY TRENCH




SECTION A-A

SCALE : N.T.S.

END VIEW

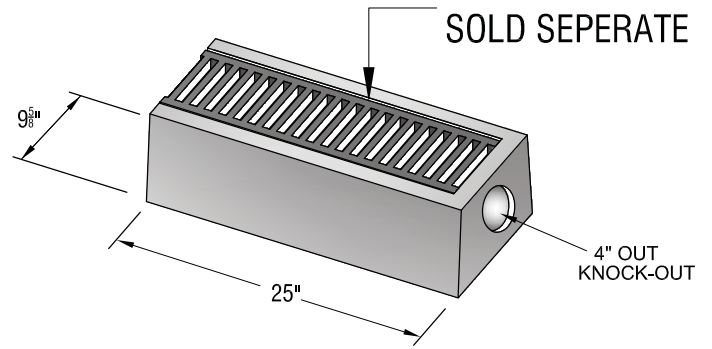
SCALE : N.T.S.

ESTIMATED WEIGHT - 202 LBS

NOTES :	 7520 Conrad Street Burnaby, B.C. V5A 2H7 Phone : 604 415-5181 Fax : 604 415-5185	DRAWN BY :	DATE :	PRODUCT :	DIAMOND ITEM NUMBER: TR748
		R.H.	OCT. 11/13	DRIVEWAY TRENCHES	
MATERIAL SPECIFICATION	CONCRETE	APPROVED :	LOAD RATING	DESCRIPTION :	DWG. NO.
		REVISION :	REV. NO.	DRIVEWAY TRENCH	SHEET NO. 1 OF 1
		SCALE :	N.T.S.	9.25W x 7H x 48L	

No. 10

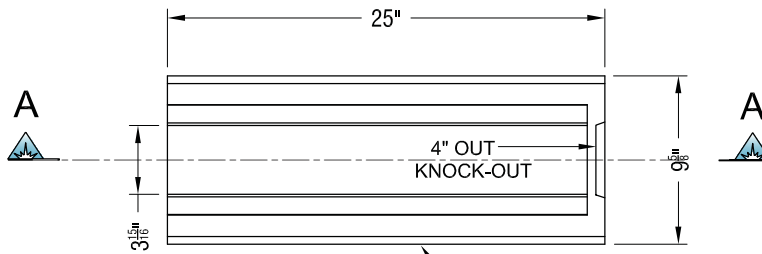
D624-GRATE
SOLD SEPERATE



SKETCH VIEW

SCALE : N.T.S.

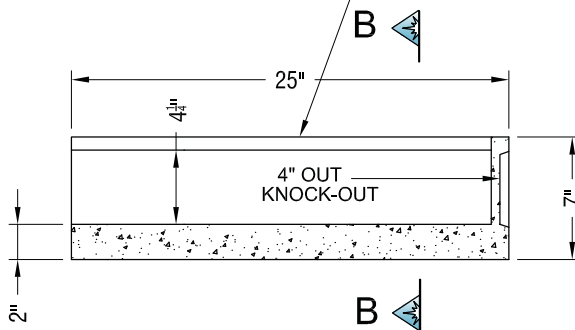
TR624 DRIVEWAY TRENCH



PLAN VIEW

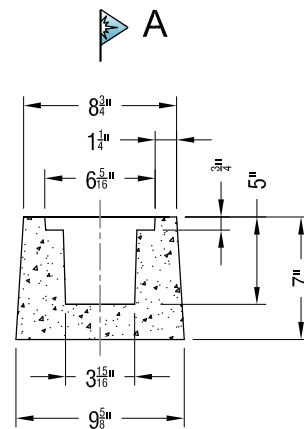
SCALE : N.T.S.

TR624 DRIVEWAY TRENCH



SECTION A-A

SCALE : N.T.S.



SECTION B-B

SCALE : N.T.S.

ESTIMATED WEIGHT - 95 LBS

NOTES :

1 - 4" KNOCK-OUT



7520 Conrad Street Burnaby, B.C. V5A 2H7
Phone : 604 415-5181 Fax : 604 415-5185

DRAWN BY :
R.H.

DATE :
OCT. 15/13

PRODUCT:
DRIVEWAY TRENCHES

DIAMOND
ITEM NUMBER:
TR724

APPROVED :

LOAD RATING
H20

DESCRIPTION:
DRIVEWAY TRENCH
9.25W x 7H x 25L

DWG. NO.

MATERIAL SPECIFICATION

CONCRETE

REVISION :

REV. NO.

SHEET NO.
1 OF 1

SCALE :
N.T.S.