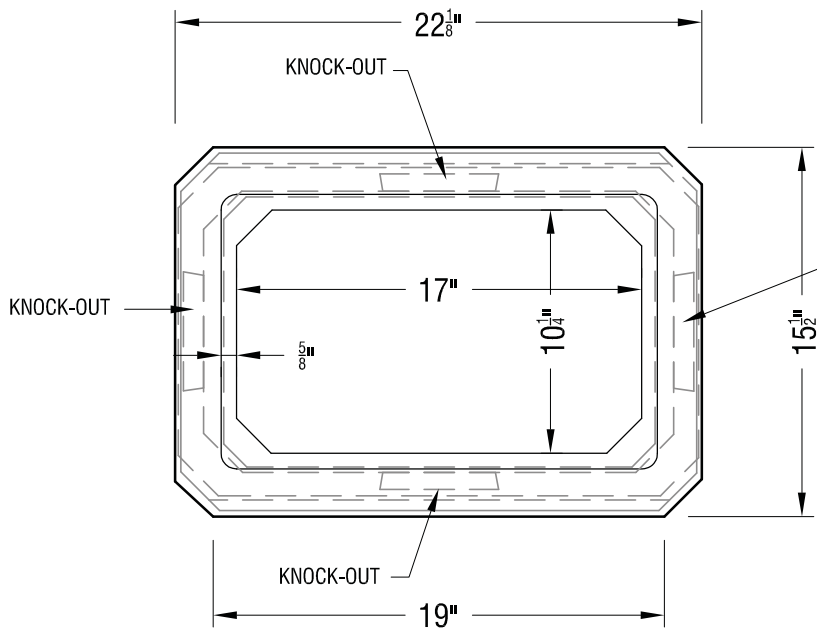


No. 14

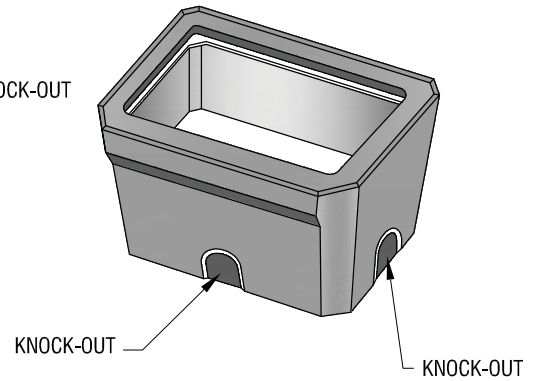
MATCHING LIDS

- D1811-BLANK
- D1811-ELECTRIC
- D1811-HOLE
- D1811-SEWER
- D1811-WATER



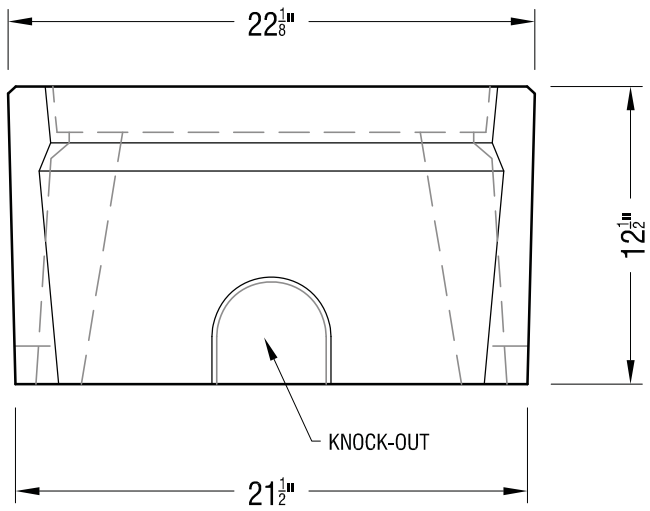
PLAN VIEW

N.T.S.



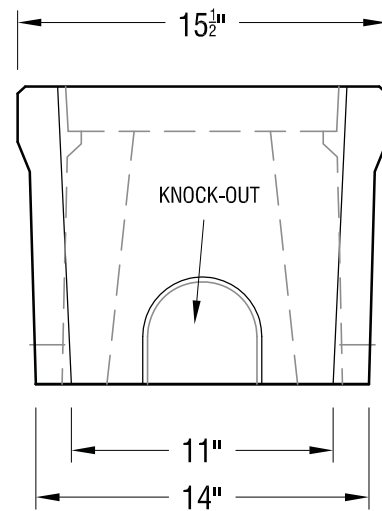
SKETCH VIEW

N.T.S.



SIDE ELEVATION VIEW

N.T.S.



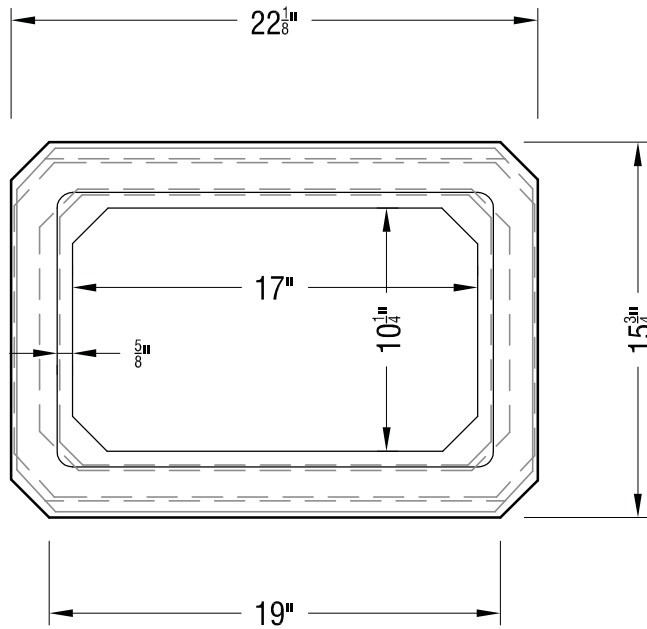
END ELEVATION VIEW

N.T.S.

ESTIMATED WEIGHT - 100 LBS.

NOTES: NOT FOR USE IN TRAVELLED PORTIONS OF ROADWAY	<p>DIAMOND PRECAST CONCRETE 7520 Conrad Street Burnaby, B.C. V5A 2H7 Phone : 604 415-5181 Fax : 604 415-5185</p>	DRAWN BY : R.H.	DATE : OCT. 01/13	PRODUCT: METER BOXES	DIAMOND ITEM NUMBER: MB3712
		APPROVED :	LOAD RATING	DESCRIPTION: #37 METER BOX 12" GROOVE TOP W/KO	DWG. NO.
MATERIAL SPECIFICATION	CONCRETE	REV. DATE :	REV. NO.		SHEET NO. 1 OF 1
		SCALE : N.T.S.			

No. 13

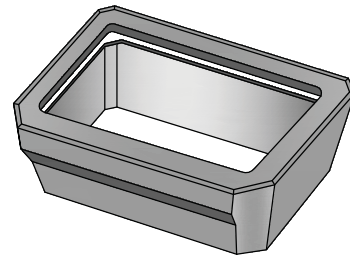


PLAN VIEW

N.T.S.

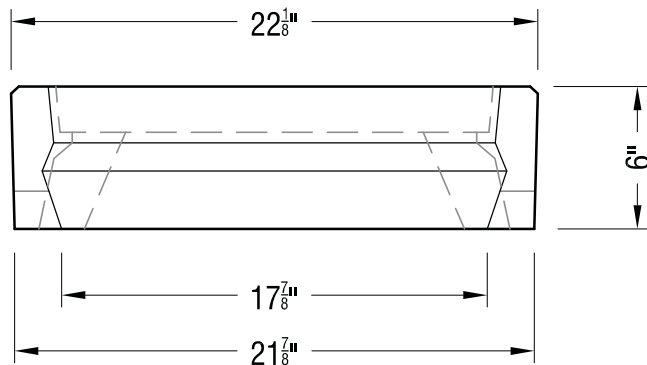
MATCHING LIDS

- D1811-BLANK
- D1811-ELECTRIC
- D1811-HOLE
- D1811-SEWER
- D1811-WATER



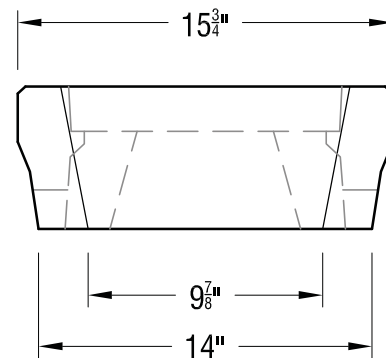
SKETCH VIEW

N.T.S.



SIDE ELEVATION VIEW

N.T.S.



END ELEVATION VIEW

N.T.S.

ESTIMATED WEIGHT - 60 LBS.

NOTES : NOT FOR USE IN TRAVELLED PORTIONS OF ROADWAY	 7520 Conrad Street Burnaby, B.C. V5A 2H7 Phone : 604 415-5181 Fax : 604 415-5185	DRAWN BY : R.H. APPROVED :	DATE : OCT. 01/13 LOAD RATING	PRODUCT : METER BOXES	DIAMOND ITEM NUMBER : MB3706
		REV. DATE : SCALE : N.T.S.	REV. NO.	DESCRIPTION : #37 METER BOX 6" GROOVE TOP	DWG. NO. SHEET NO. 1 OF 1
MATERIAL SPECIFICATION CONCRETE					