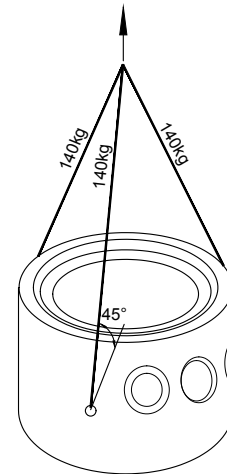
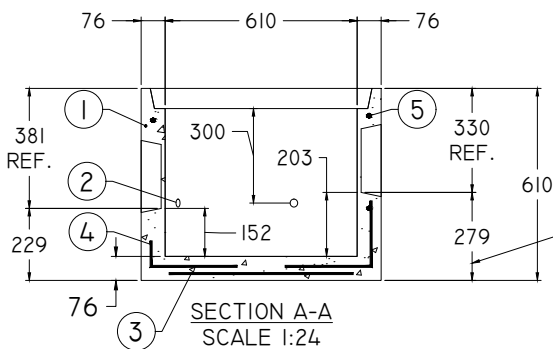


PLAN VIEW  
SCALE 1:24

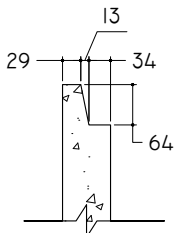


Lifting Detail

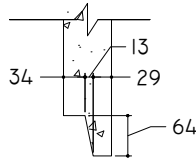


SECTION A-A  
SCALE 1:24

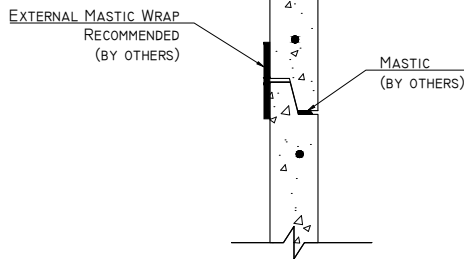
ALL KNOCKOUT  
ELEVATIONS ±76.2MM



TONGUE DETAIL  
SCALE 1:12



GROOVE DETAIL  
SCALE 1:12



SUGGESTED JOINT DETAIL  
SCALE 1:12

**Specification and General Notes:**

1. Manhole design/manufacture to ASTM C478M & CSA A257.3 Specification.
2. Concrete testing to ASTM C497/CSA 23.1 & 2-09.
3. Min. concrete compressive strength 30 MPa with Max. W/C ratio of 0.5
4. Gasket to ASTM C-443 specification (by others).
5. Concrete cover to be Min.25mm.
6. All dimensions to be millimeter.
7. Welded wire mesh overlap to be 300mm.
8. Manhole design and construction to MMCD manhole specification section 02725.
9. Manufacturing tolerance to be +/- 5mm.
10. Concrete Exposure Class to be A-3
11. Min. Stripping Strength to be 15MPa
12. All Form Finish to be Standard Grade
13. All Unformed Finish to be Steel Trowelled Finish or Wood Float Finish
14. Lifting cable and accessories to meet the strength requirement in lifting detail



**Description:**  
610IDx610H Sump/Catch Basin GT (TPL)

**Size:**  
24"IDx24"H Catch Basin 636#

**Project:**  
----

Drawn : RPT  
Date : JAN/05/2015

Approved :  
Load Rating: N/A

Rev. No. 0  
Scale : AS NOTED

**Catalog No.**

2424CBS

**Dwg. No.**

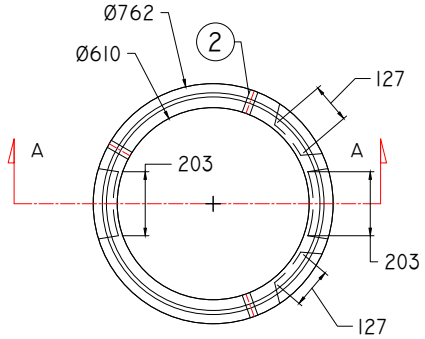
24-03

This drawing is the property of the Diamond Precast Concrete. All information contained herein is confidential and may not be used in whole or in part without written permission from the owner.

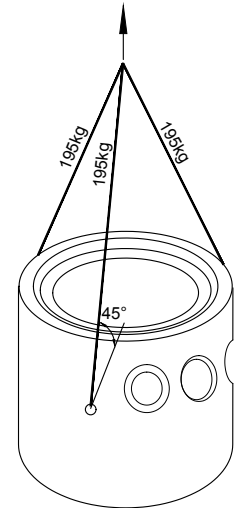
Sheet No.

1 OF 1

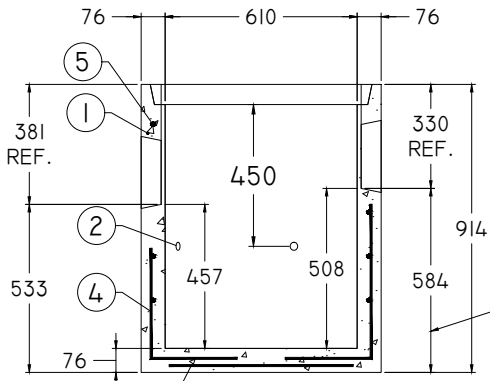
# 2436CBS



PLAN VIEW  
SCALE 1:24

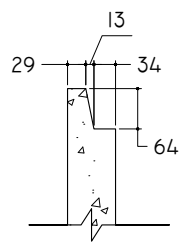


Lifting Detail

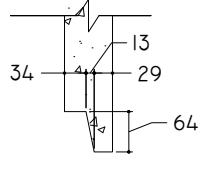


SECTION A-A  
SCALE 1:24

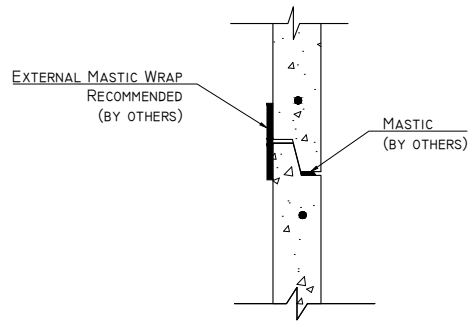
ALL KNOCKOUT  
ELEVATIONS ±76.2MM



TONGUE DETAIL  
SCALE 1:12



GROOVE DETAIL  
SCALE 1:12



SUGGESTED JOINT DETAIL  
SCALE 1:12

**Specification and General Notes:**

1. Manhole design/manufacture to ASTM C478M & CSA A257.3 Specification.
2. Concrete testing to ASTM C497/CSA 23.1 & 2-09.
3. Min. concrete compressive strength 30 MPa with Max. W/C ratio of 0.5
4. Gasket to ASTM C-443 specification (by others).
5. Concrete cover to be Min.25mm.
6. All dimensions to be millimeter.
7. Welded wire mesh overlap to be 300mm.
8. Manhole design and construction to MMCD manhole specification section 02725.
9. Manufacturing tolerance to be +/- 5mm.
10. Concrete Exposure Class to be A-3
11. Min. Stripping Strength to be 15MPa
12. All Form Finish to be Standard Grade
13. All Unformed Finish to be Steel Trowelled Finish or Wood Float Finish
14. Lifting cable and accessories to meet the strength requirement in lifting detail



**Description:**  
610IDx914H Sump/Catch Basin GT (TPL)

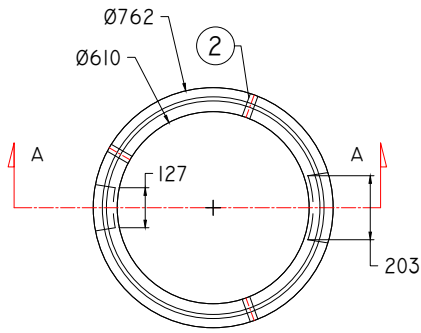
**Size:**  
24"IDx36"H Catch Basin #895

**Project:**  
----

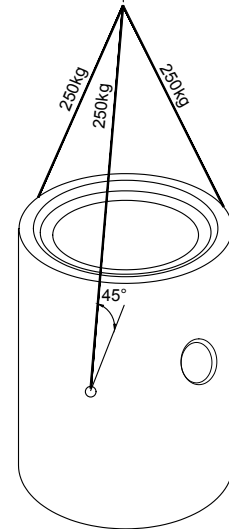
Drawn : RPT	Date : JAN/05/2015	<b>Catalog No.</b> 2436CBS
Approved : ---	Load Rating: N/A	<b>Dwg. No.</b> 24-05
Rev. No. 0	Scale : AS NOTED	Sheet No. 1 OF 1

This drawing is the property of the Diamond Precast Concrete. All information contained herein is confidential and may not be used in whole or in part without written permission from the owner.

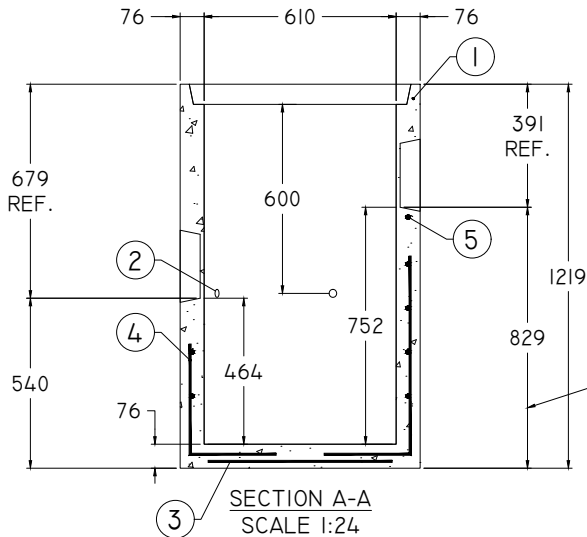
# 2448CBS



PLAN VIEW  
SCALE 1:24

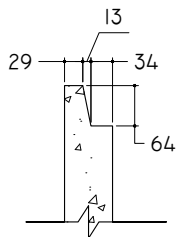


Lifting Detail

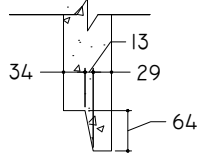


SECTION A-A  
SCALE 1:24

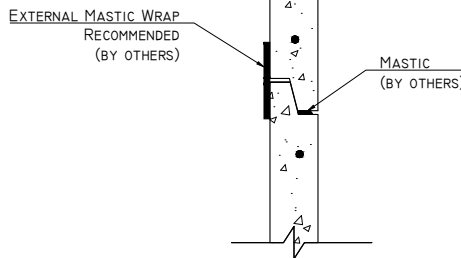
ALL KNOCKOUT  
ELEVATIONS ±76.2MM



TONGUE DETAIL  
SCALE 1:12



GROOVE DETAIL  
SCALE 1:12



SUGGESTED JOINT DETAIL  
SCALE 1:12

**Specification and General Notes:**

1. Manhole design/manufacture to ASTM C478M & CSA A257.3 Specification.
2. Concrete testing to ASTM C497/CSA 23.1 & 2-09.
3. Min. concrete compressive strength 30 MPa with Max. W/C ratio of 0.5
4. Gasket to ASTM C-443 specification (by others).
5. Concrete cover to be Min.25mm.
6. All dimensions to be millimeter.
7. Welded wire mesh overlap to be 300mm.
8. Manhole design and construction to MMCD manhole specification section 02725.
9. Manufacturing tolerance to be +/- 5mm.
10. Concrete Exposure Class to be A-3
11. Min. Stripping Strength to be 15MPa
12. All Form Finish to be Standard Grade
13. All Unformed Finish to be Steel Trowelled Finish or Wood Float Finish
14. Lifting cable and accessories to meet the strength requirement in lifting detail



**Description:**  
610IDx1219H Sump/Catch Basin GT (TPL)

**Size:**  
24"IDx48"H Catch Basin 1155

**Project:**  
----

Drawn : RPT  
Date : JAN/05/2015

Approved :  
Load Rating: N/A

Rev. No. 0  
Scale : AS NOTED

**Catalog No.**

2448CBS

**Dwg. No.**

24-09

This drawing is the property of the Diamond Precast Concrete. All information contained herein is confidential and may not be used in whole or in part without written permission from the owner.

Sheet No.

1 OF 1