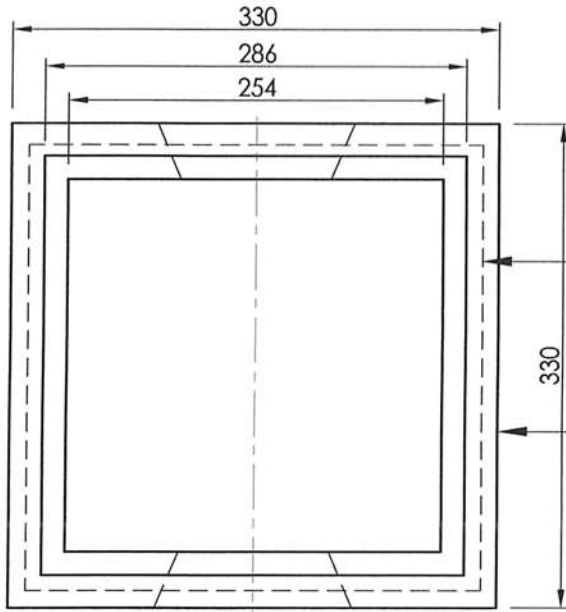
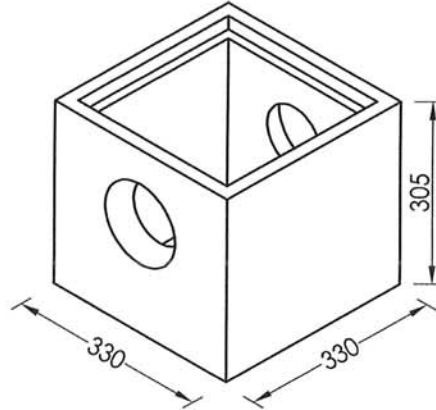
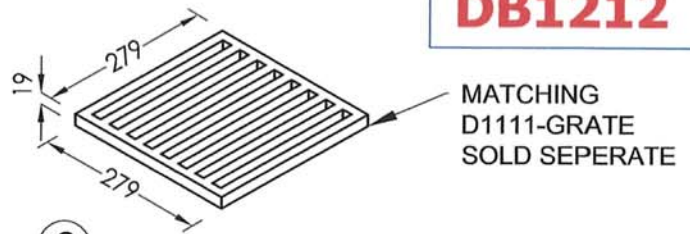


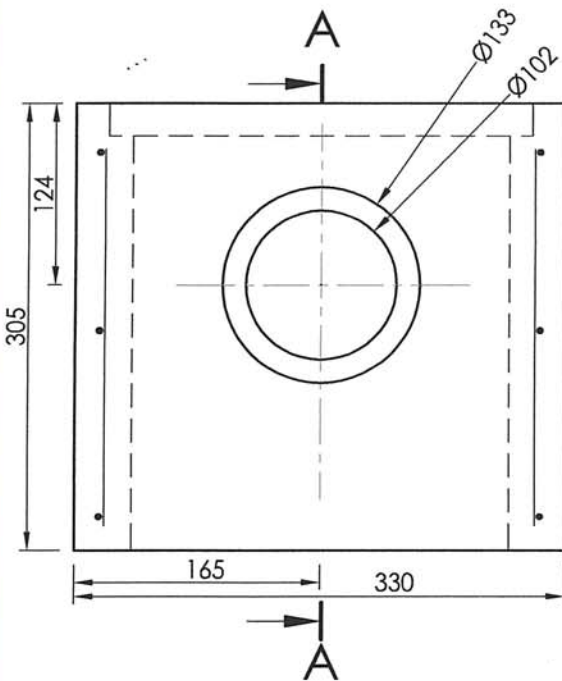
**DB1212**



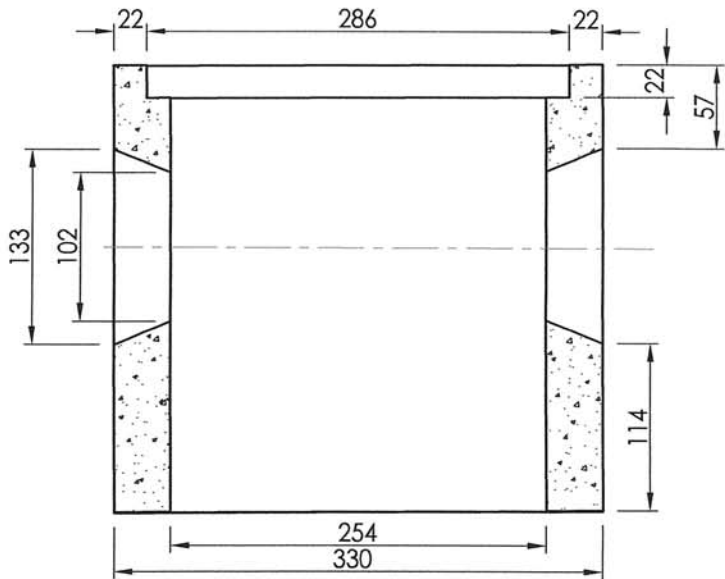
**PLAN VIEW**  
SCALE : 1:5



**SKETCH VIEW**



**ELEVATION VIEW**  
SCALE : 1:5



**SECTION A-A**  
SCALE : 1:5

ESTIMATED WEIGHT 27 KG



PRODUCT:  
**DRAIN BOX 1212**

DESCRIPTION:  
12" X12" CONCRETE DRIVEWAY DRAIN BOX #60

Drawn : AM

Date : 19/11/2014

Catalogue No.

Approved :

Load Rating:

**DB1212**

Rev. No.

Scale :  
As Shown

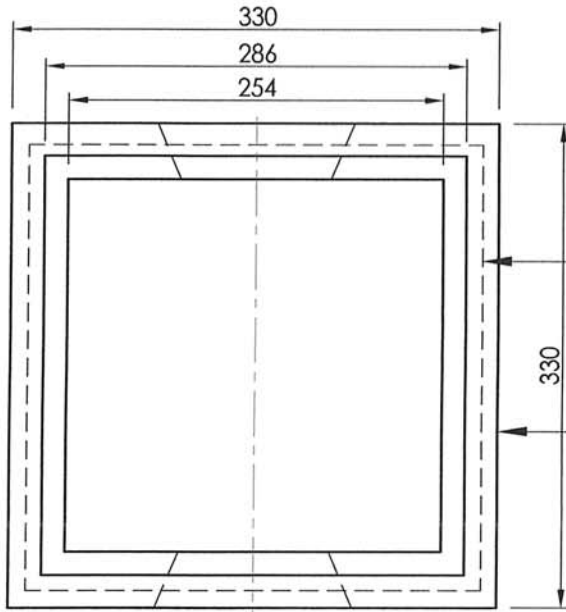
Dwg. No.  
**DB1212-1**

7520 Conrad Street Burnaby, B.C. V5A 2H7 Phone : 604-415-5181 Fax : 604-415-5185

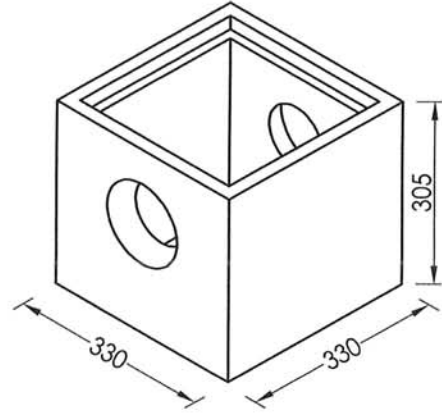
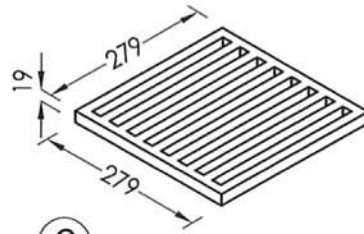
This drawing is the property of the Diamond Precast Concrete. All information contained herein is confidential and may not be used in whole or in part without written permission from the owner

Sheet No.  
1 OF 1

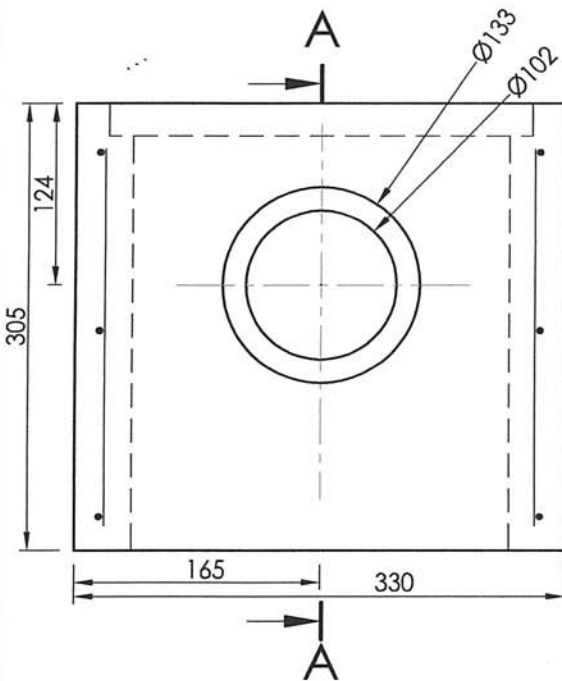
**DB1212**



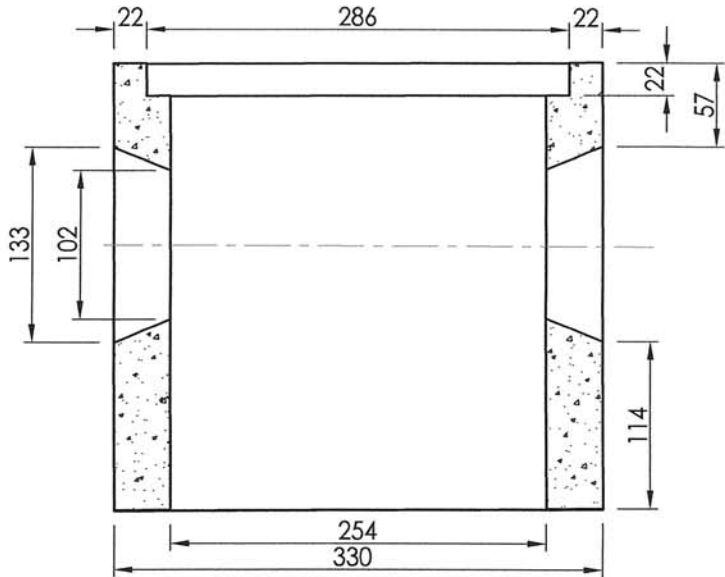
**PLAN VIEW**  
SCALE : 1:5



**SKETCH VIEW**



**ELEVATION VIEW**  
SCALE : 1:5



**SECTION A-A**  
SCALE : 1:5

ESTIMATED WEIGHT 27 KG



PRODUCT:  
**DRAIN BOX 1212**

DESCRIPTION:  
12" X12" CONCRETE DRIVEWAY DRAIN BOX #60

Drawn : AM

Date : 19/11/2014

Catalogue No.

Approved :

Load Rating:

**DB1212**

Rev. No.

Scale :  
As Shown

Dwg. No.  
**DB1212-1**

7520 Conrad Street Burnaby, B.C. V5A 2H7 Phone : 604-415-5181 Fax : 604-415-5185

This drawing is the property of the Diamond Precast Concrete. All information contained herein is confidential and may not be used in whole or in part without written permission from the owner

Sheet No.  
1 OF 1