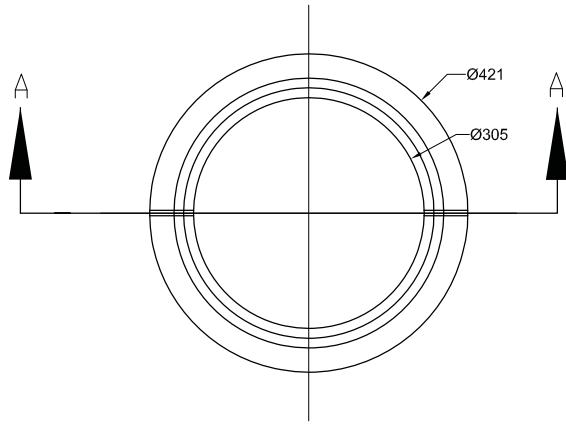
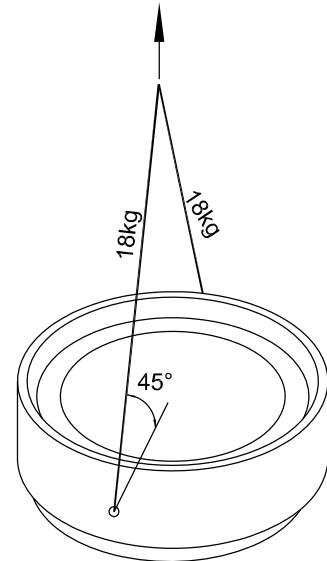


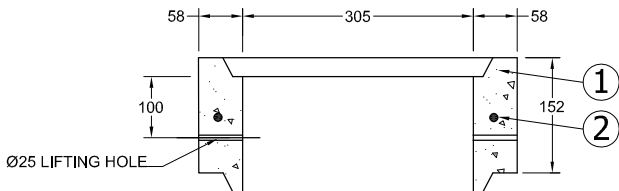
1206R



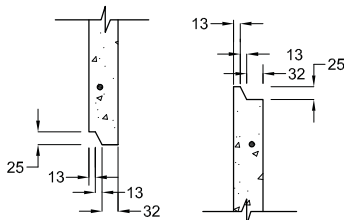
PLAN VIEW
SCALE 1:10



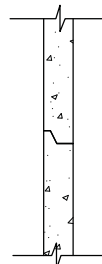
3D VIEW



SECTION A-A
SCALE 1:10



TONGUE & GROOVE DETAIL
SCALE 1 : 15



SUGGESTED JOINT DETAIL
SCALE 1 : 15

Specification and General Notes:

1. Manhole design/manufacture to ASTM C478M & CSA A257.3 Specification.
2. Concrete testing to ASTM C497/CSA 23.1 & 2-09.
3. Min. concrete compressive strength 30 MPa with Max. W/C ratio of 0.5
4. Gasket to ASTM C-443 specification (by others).
5. Concrete cover to be Min.25mm.
6. All dimensions to be millimeter.
7. Welded wire mesh overlap to be 300mm.
8. Manhole design and construction to MMCD manhole specification section 02725.
9. Manufacturing tolerance to be +/- 5mm.
10. Concrete Exposure Class to be A-3
11. Min. Stripping Strength to be 15MPa
12. All Form Finish to be Standard Grade
13. All Unformed Finish to be Steel Trowelled Finish or Wood Float Finish
14. Lifting cable and accessories to meet the strength requirement in lifting detail



Description:

305 ID x 152 H Riser T&G

12"ID x 06"H Riser T&G 52#

Project:

Drawn :

A.M

Approved :

Rev. No.

Date :

23/10/2014

Load Rating:

N/A

Scale :

As Shown

Catalog No.

1206R

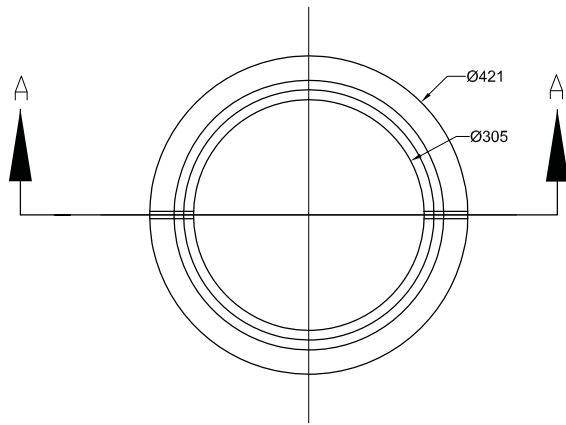
Dwg. No.

12-01

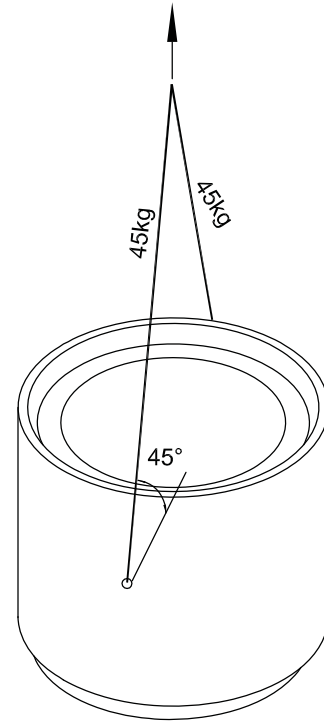
Sheet No.

1 OF 1

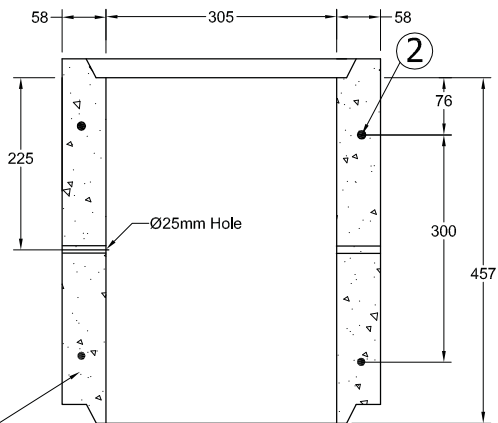
1218R



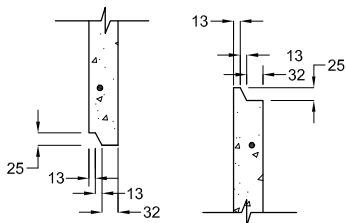
PLAN VIEW
SCALE 1:10



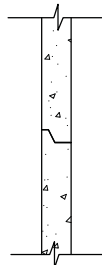
3D VIEW



SECTION A-A
SCALE 1:10



TONGUE & GROOVE DETAIL
SCALE 1 : 15



SUGGESTED JOINT DETAIL
SCALE 1 : 15

Specification and General Notes:

1. Manhole design/manufacture to ASTM C478M & CSA A257.3 Specification.
2. Concrete testing to ASTM C497/CSA 23.1 & 2-09.
3. Min. concrete compressive strength 30 MPa with Max. W/C ratio of 0.5
4. Gasket to ASTM C-443 specification (by others).
5. Concrete cover to be Min.25mm.
6. All dimensions to be millimeter.
7. Welded wire mesh overlap to be 300mm.
8. Manhole design and construction to MMCD manhole specification section 02725.
9. Manufacturing tolerance to be +/- 5mm.
10. Concrete Exposure Class to be A-3
11. Min. Stripping Strength to be 15MPa
12. All Form Finish to be Standard Grade
13. All Unformed Finish to be Steel Trowelled Finish or Wood Float Finish
14. Lifting cable and accessories to meet the strength requirement in lifting detail



Description:

305 ID x 457 H Riser T&G

12"ID x 18"H Riser T&G #157

Project:

Drawn :

A.M

Approved :

Rev. No.

Date :

23/10/2014

Load Rating:

N/A

Scale :

As Shown

Catalog No.

1218R

Dwg. No.

12-02

Sheet No.

1 OF 1