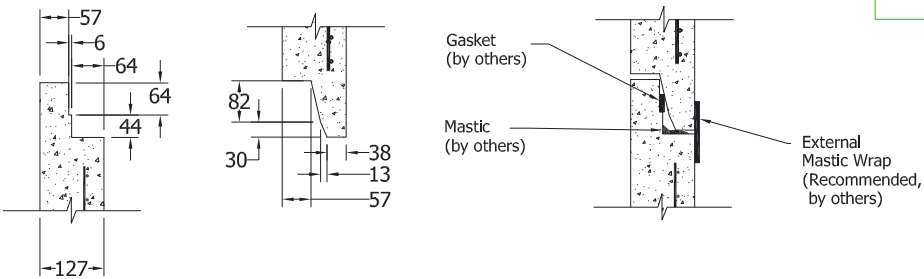
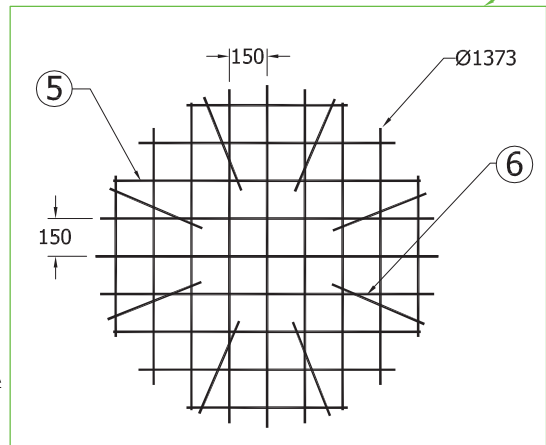
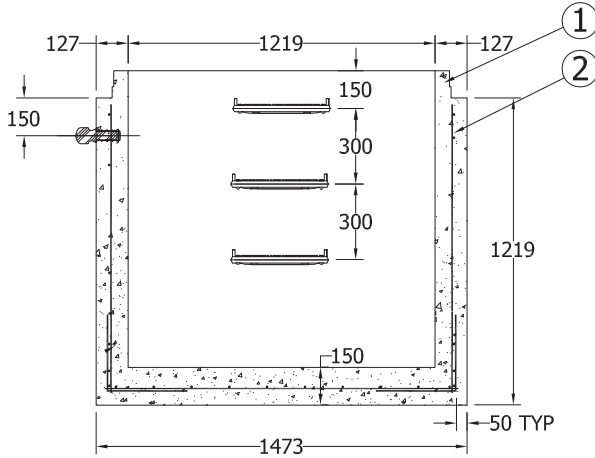
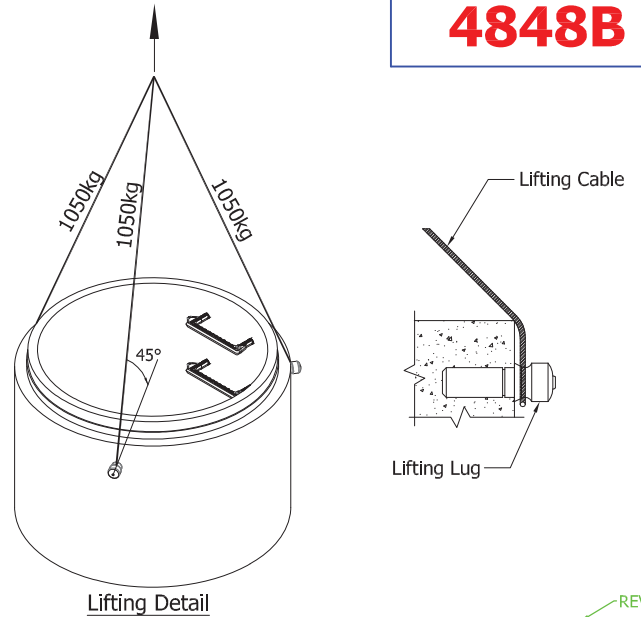
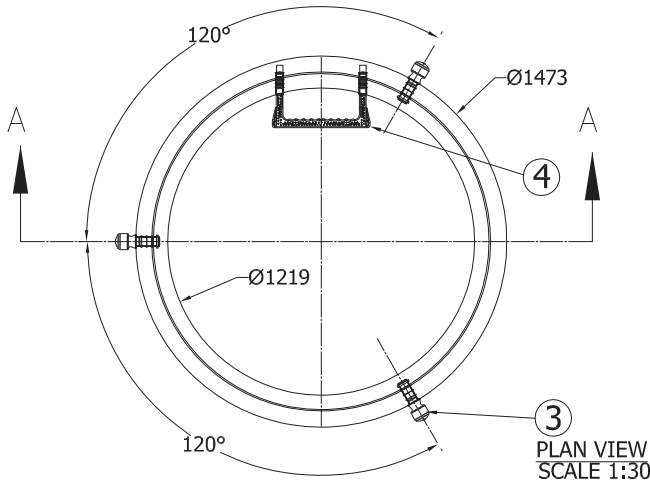


4848B



TONGUE & GROOVE DETAIL
SCALE 1 : 15

SUGGESTED JOINT DETAIL
SCALE 1 : 15

Specification and General Notes:

1. Manhole design/manufacture to ASTM C478M Specification.
2. Concrete testing to current version of ASTM C497/CSA 23.1&2.
3. Min. concrete compressive strength 30 MPa with Max. W/C ratio of 0.5
4. Gasket to ASTM C-443 specification (by others).
5. Concrete cover to be Min.25mm.
6. All dimensions to be millimeter.
7. Welded wire mesh overlap to be 300mm.
8. Manhole design and construction to MMCD manhole specification section 02725.
9. Manufacturing tolerance to be +/- 5mm.
10. Concrete Exposure Class to be A-3
11. Min. Stripping Strength to be 15MPa
12. All Form Finish to be Standard Grade
13. All Unformed Finish to be Steel Trowelled Finish or Wood Float Finish
14. Lifting cable and accessories to meet the strength requirement in lifting detail
15. Hoisting and Rigging system to meet WORK SAFE BC OHS Regulation Guideline Part 14/15



Description:
1219ID x 1219H Manhole Base T T LR2

48"ID x 48"H Manhole Base T T LR2 4808 #

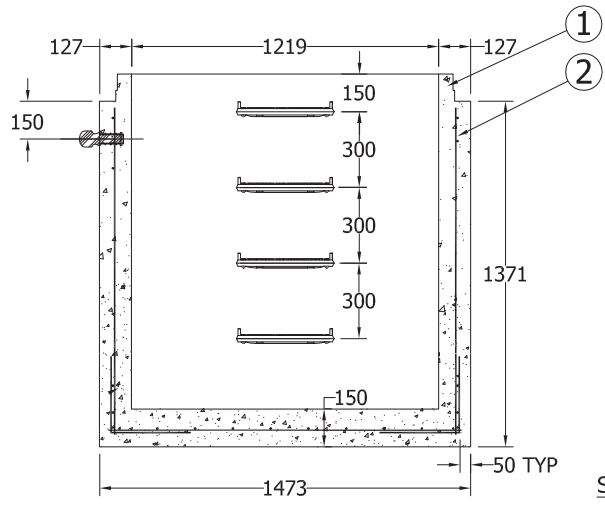
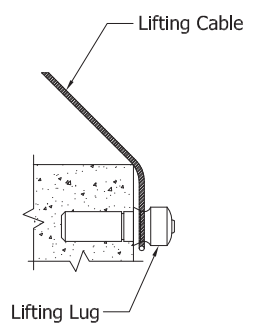
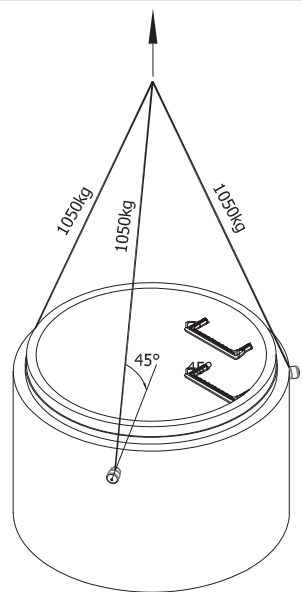
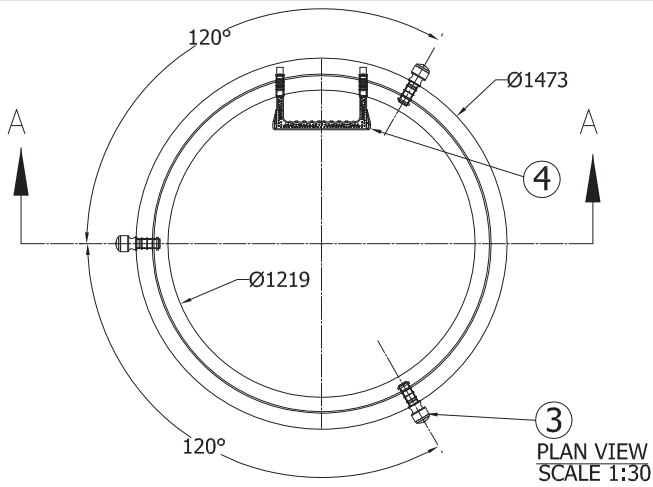
Project:

Drawn : D.L	Date : 06/08/2016	Catalog No. 4848B
Approved : V.W.	Load Rating: N/A	Dwg. No. 48-07
Rev. No. B	Scale : As Shown	Sheet No. 1 OF 1

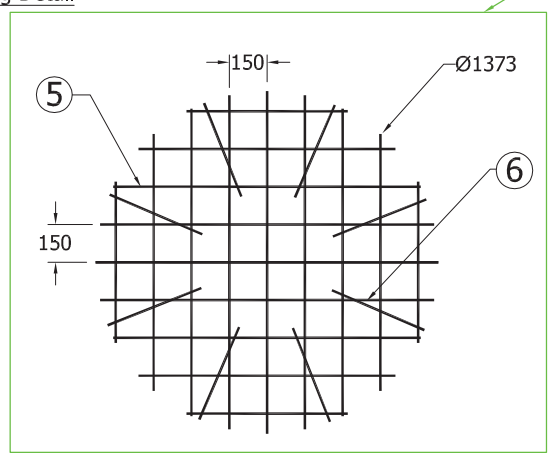
7520 Conrad Street Burnaby, B.C. V5A 2H7 Phone : 604-415-5181 Fax : 604-415-5185
www.diamondprecast.com

This drawing is the property of the Diamond Precast Concrete. All information contained herein is confidential and may not be used in whole or in part without written permission from the owner.

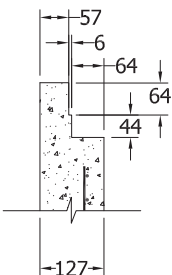
4854B



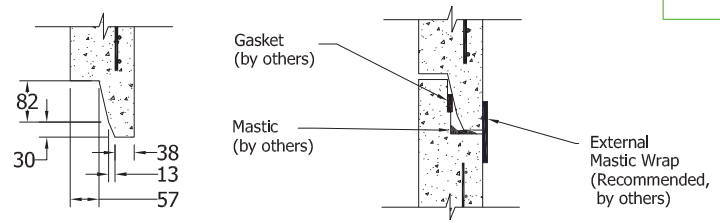
Lifting Detail



BASE REINFORCEMENT PLAN VIEW SCALE 1:30



TONGUE & GROOVE DETAIL SCALE 1:15



SUGGESTED JOINT DETAIL SCALE 1:15

Specification and General Notes:

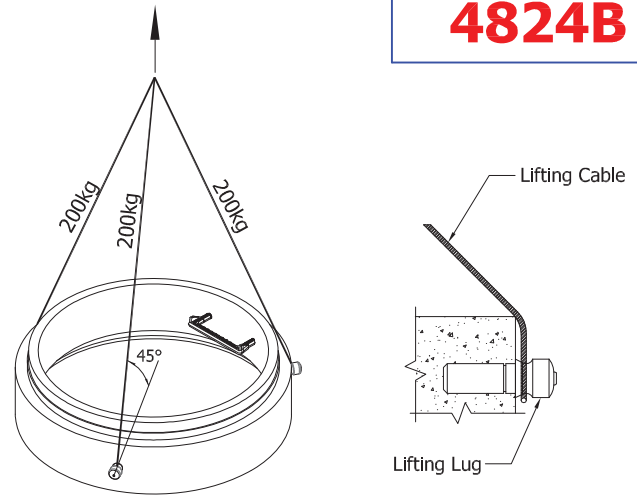
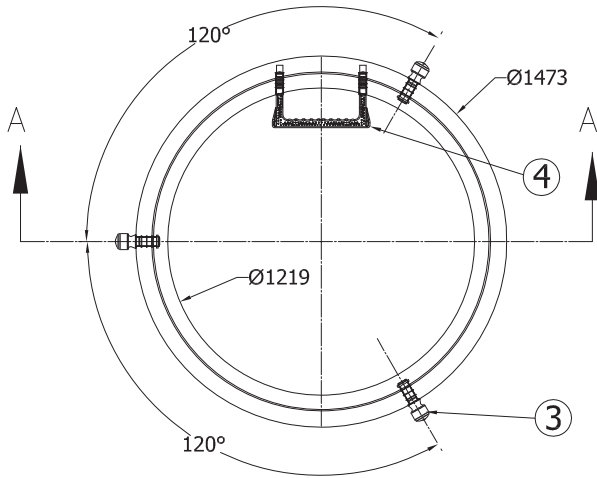
1. Manhole design/manufacture to ASTM C478M Specification.
2. Concrete testing to current version of ASTM C497/CSA 23.1&2.
3. Min. concrete compressive strength 30 MPa with Max. W/C ratio of 0.5
4. Gasket to ASTM C-443 specification (by others).
5. Concrete cover to be Min.25mm.
6. All dimensions to be millimeter.
7. Welded wire mesh overlap to be 300mm.
8. Manhole design and construction to MMCD manhole specification section 02725.
9. Manufacturing tolerance to be +/- 5mm.
10. Concrete Exposure Class to be A-3
11. Min. Stripping Strength to be 15MPa
12. All Form Finish to be Standard Grade
13. All Unformed Finish to be Steel Trowelled Finish or Wood Float Finish
14. Lifting cable and accessories to meet the strength requirement in lifting detail
15. Hoisting and Rigging system to meet WORK SAFE BC OHS Regulation Guideline Part 14/15



Description:
1219ID x 1371H Manhole Base T T LR2
 48"ID x 54"H Manhole Base T T LR2 5221 #
Project:

Drawn : D.L.
 Date : 06/08/2016
 Approved : V.W.
 Load Rating: N/A
 Rev. No. B
 Scale : As Shown

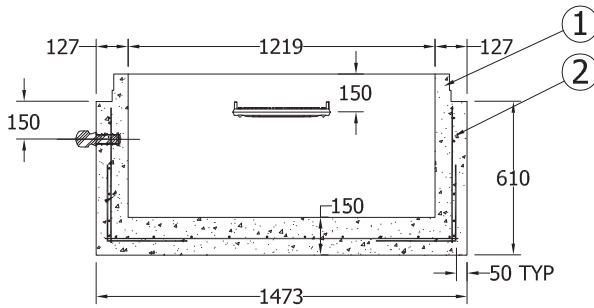
Catalog No. **4854B**
 Dwg. No. **48-11**
 Sheet No. 1 OF 1



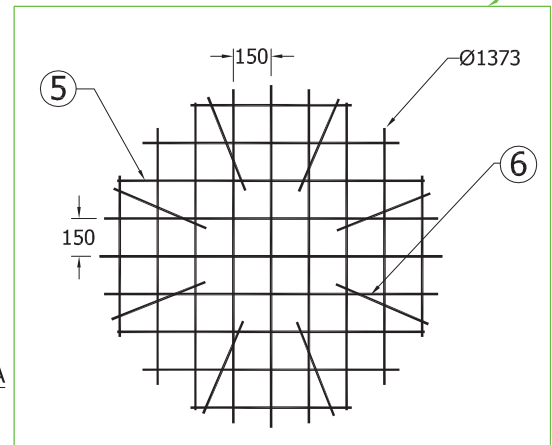
PLAN VIEW
SCALE 1:30

Lifting Detail

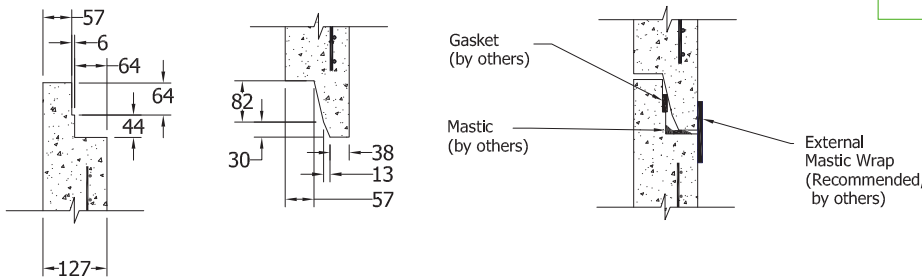
REV.B



SECTION A-A
SCALE 1:30



BASE REINFORCEMENT PLAN VIEW
SCALE 1:30



TONGUE & GROOVE DETAIL
SCALE 1 : 15

SUGGESTED JOINT DETAIL
SCALE 1 : 15

Specification and General Notes:

1. Manhole design/manufacture to ASTM C478M Specification.
2. Concrete testing to current version of ASTM C497/CSA 23.1&2.
3. Min. concrete compressive strength 30 MPa with Max. W/C ratio of 0.5
4. Gasket to ASTM C-443 specification (by others).
5. Concrete cover to be Min.25mm.
6. All dimensions to be millimeter.
7. Welded wire mesh overlap to be 300mm.
8. Manhole design and construction to MMCD manhole specification section 02725.
9. Manufacturing tolerance to be +/- 5mm.
10. Concrete Exposure Class to be A-3
11. Min. Stripping Strength to be 15MPa
12. All Form Finish to be Standard Grade
13. All Unformed Finish to be Steel Trowelled Finish or Wood Float Finish
14. Lifting cable and accessories to meet the strength requirement in lifting detail
15. Hoisting and Rigging system to meet WORK SAFE BC OHS Regulation Guideline Part 14/15



Description:
1219ID x 610H Manhole Base T T LR2

48"ID x 24"H Manhole Base T T LR2 2808 #

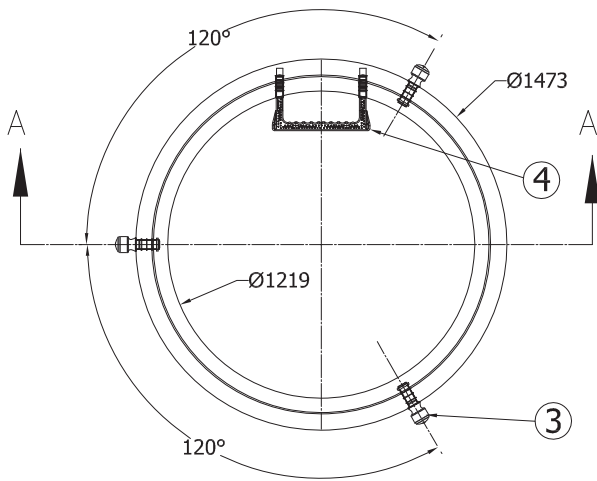
Project:

Drawn : D.L.	Date : 06/08/2016	Catalog No. 4824B
Approved : V.W.	Load Rating: N/A	
Rev. No. B	Scale : As Shown	Dwg. No. 48-03

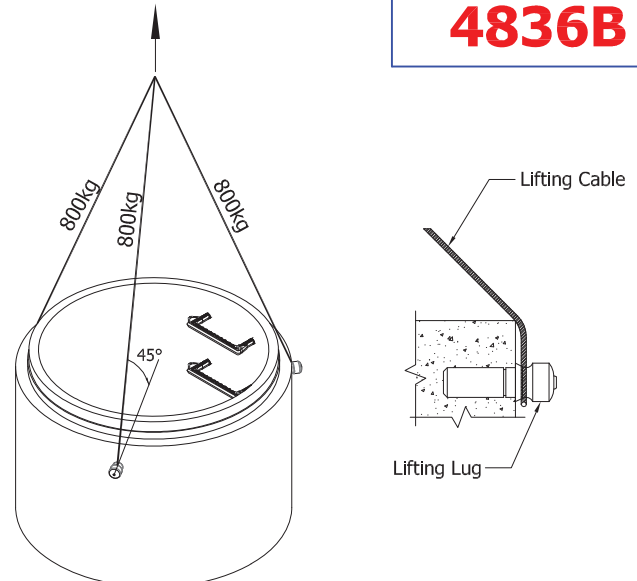
7520 Conrad Street Burnaby, B.C. V5A 2H7 Phone : 604-415-5181 Fax : 604-415-5185
www.diamondprecast.com

This drawing is the property of the Diamond Precast Concrete. All information contained herein is confidential and may not be used in whole or in part without written permission from the owner.

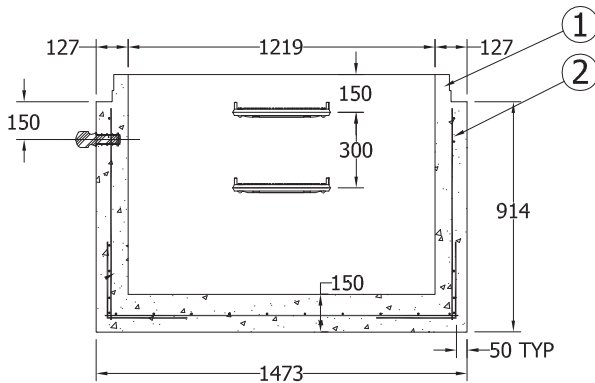
Sheet No.
1 OF 1



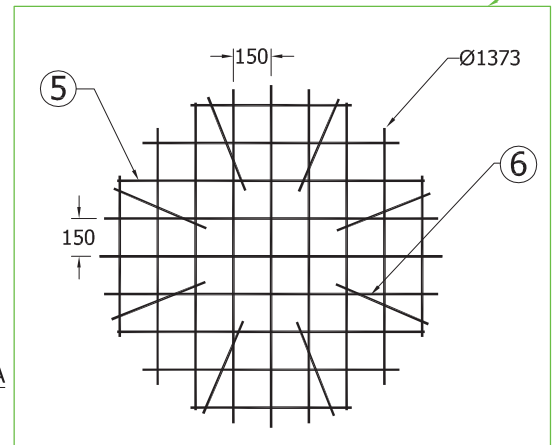
PLAN VIEW
SCALE 1:30



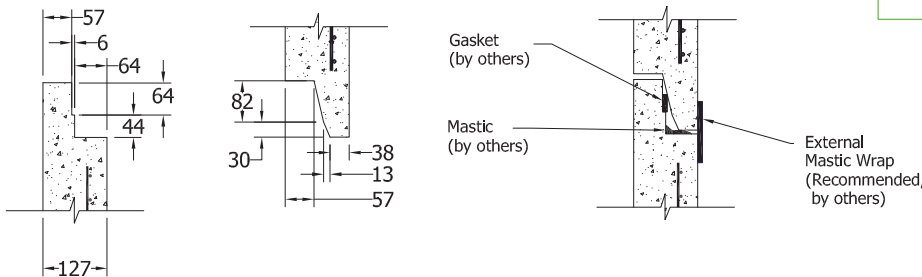
Lifting Detail



SECTION A-A
SCALE 1:30



BASE REINFORCEMENT PLAN VIEW
SCALE 1:30



TONGUE & GROOVE DETAIL
SCALE 1 : 15

SUGGESTED JOINT DETAIL
SCALE 1 : 15

Specification and General Notes:

1. Manhole design/manufacture to ASTM C478M Specification.
2. Concrete testing to current version of ASTM C497/CSA 23.1&2.
3. Min. concrete compressive strength 30 MPa with Max. W/C ratio of 0.5
4. Gasket to ASTM C-443 specification (by others).
5. Concrete cover to be Min.25mm.
6. All dimensions to be millimeter.
7. Welded wire mesh overlap to be 300mm.
8. Manhole design and construction to MMCD manhole specification section 02725.
9. Manufacturing tolerance to be +/- 5mm.
10. Concrete Exposure Class to be A-3
11. Min. Stripping Strength to be 15MPa
12. All Form Finish to be Standard Grade
13. All Unformed Finish to be Steel Trowelled Finish or Wood Float Finish
14. Lifting cable and accessories to meet the strength requirement in lifting detail
15. Hoisting and Rigging system to meet WORK SAFE BC OHS Regulation Guideline Part 14/15



Description:
1219ID x 914H Manhole Base T T LR2

48"ID x 36"H Manhole Base T T LR2 3608 #

Project:

Drawn : D.L.	Date : 06/08/2016	Catalog No. 4836B
Approved : V.W.	Load Rating: N/A	
Rev. No. B	Scale : As Shown	Dwg. No. 48-05

7520 Conrad Street Burnaby, B.C. V5A 2H7 Phone : 604-415-5181 Fax : 604-415-5185
www.diamondprecast.com

This drawing is the property of the Diamond Precast Concrete. All information contained herein is confidential and may not be used in whole or in part without written permission from the owner.

Sheet No.
1 OF 1