

Specification and General Notes:

1. Manhole design/manufacture to ASTM C478M Specification.
2. Concrete testing to current version of ASTM C497/CSA 23.1&2.
3. Min. concrete compressive strength 30 MPa with Max. W/C ratio of 0.5
4. Gasket to ASTM C-443 specification (by others).
5. Concrete cover to be Min.25mm.
6. All dimensions to be millimeter.
7. Welded wire mesh overlap to be 300mm.
8. Manhole design and construction to MMCD manhole specification section 02725.
9. Manufacturing tolerance to be +/- 5mm.
10. Concrete Exposure Class to be A-3
11. Min. Stripping Strength to be 15MPa
12. All Form Finish to be Standard Grade
13. All Unformed Finish to be Steel Trowelled Finish or Wood Float Finish
14. Lifting cable and accessories to meet the strength requirement in lifting detail
15. Hoisting and Rigging system to meet WORK SAFE BC OHS Regulation Guideline Part 14/15



Description:

1067 ID DONUT LID

42 Donut Lid 1034#

Project:

Drawn :

D.L

Date :

21/09/2016

Catalog No.

4210DL

Approved :

V.W.

Load Rating:

H20 RATED

Dwg. No.

42-12

Rev. No.

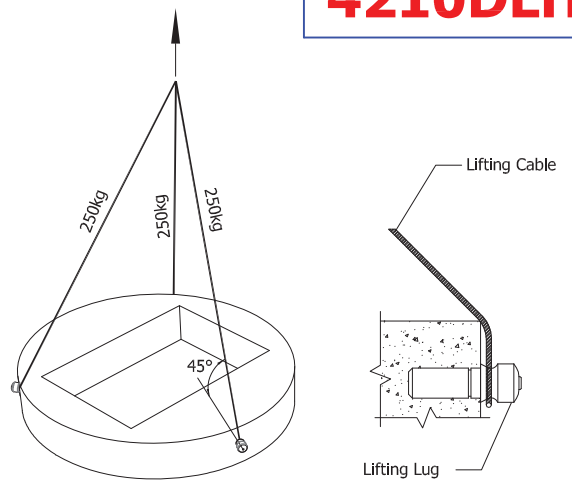
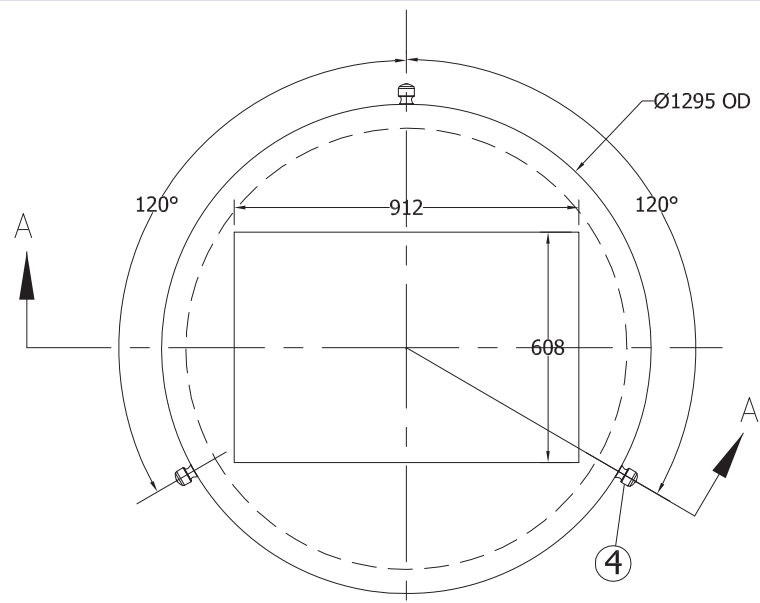
C

Scale :

As Shown

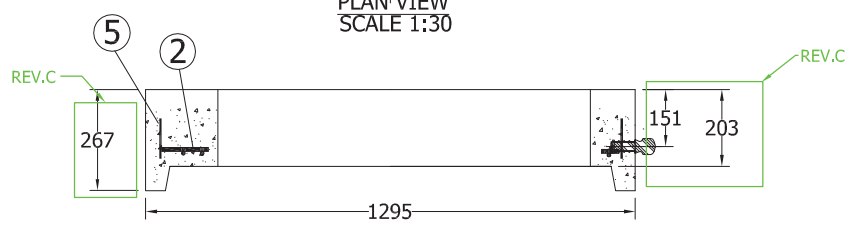
Sheet No.

1 OF 1

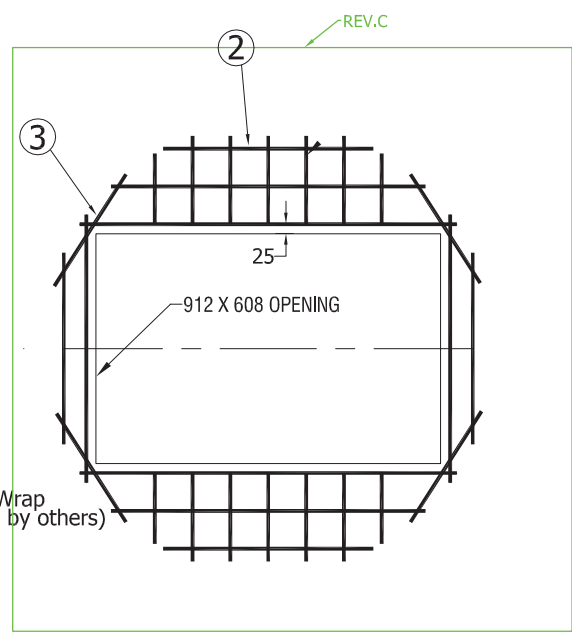


Lifting Detail

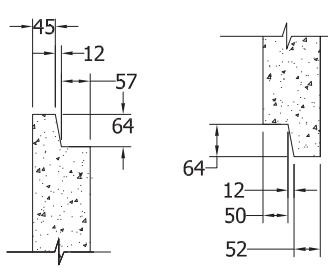
**PLAN VIEW
SCALE 1:30**



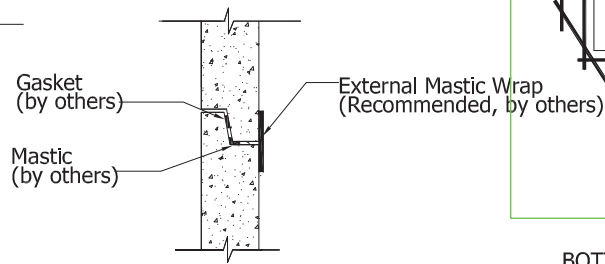
**SECTION A-A
SCALE 1:30**



**BOTTOM REINFORCEMENT PLAN VIEW
SCALE 1:30**



**TONGUE & GROOVE DETAIL
SCALE 1 : 15**



**SUGGESTED JOINT DETAIL
SCALE 1 : 15**

Specification and General Notes:

1. Manhole design/manufacture to ASTM C478M Specification.
2. Concrete testing to current version of ASTM C497/CSA 23.1&2.
3. Min. concrete compressive strength 30 MPa with Max. W/C ratio of 0.5
4. Gasket to ASTM C-443 specification (by others).
5. Concrete cover to be Min.25mm.
6. All dimensions to be millimeter.
7. Welded wire mesh overlap to be 300mm.
8. Manhole design and construction to MMCD manhole specification section 02725.
9. Manufacturing tolerance to be +/- 5mm.
10. Concrete Exposure Class to be A-3
11. Min. Stripping Strength to be 15MPa
12. All Form Finish to be Standard Grade
13. All Unformed Finish to be Steel Trowelled Finish or Wood Float Finish
14. Lifting cable and accessories to meet the strength requirement in lifting detail
15. Hoisting and Rigging system to meet WORK SAFE BC OHS Regulation Guideline Part 14/15

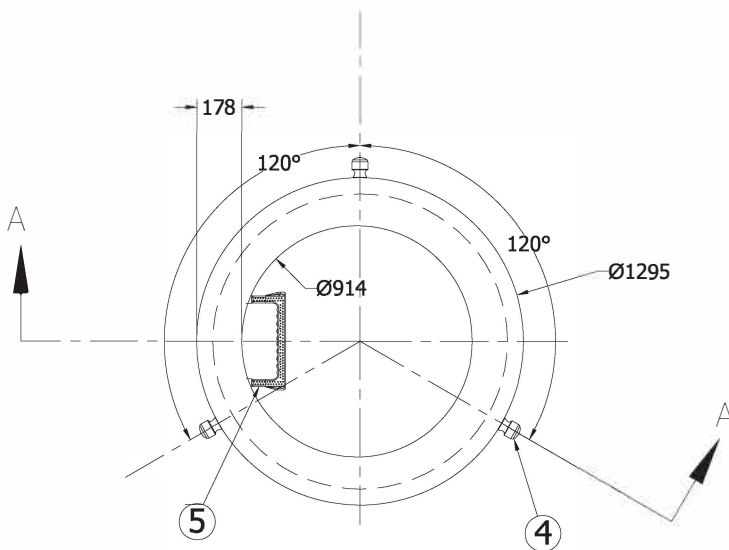


Description:	1067 ID Donut Lid Hatch Opening	
	42 Donut Lid Hatch Opening 827 #	
Project:		

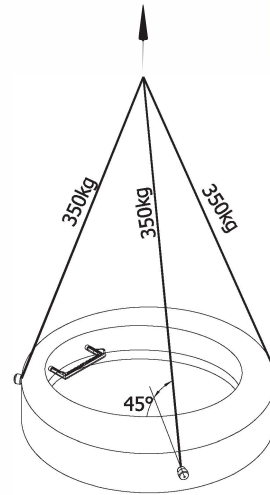
Drawn : D.L	Date : 22/09/2016	Catalog No. 4210DLH
Approved : V.W.	Load Rating: H20 RATED	
Rev. No. C	Scale : As Shown	Dwg. No. 42-13

7520 Conrad Street Burnaby, B.C. V5A 2H7 Phone : 604-415-5181 Fax : 604-415-5185
www.diamondprecast.com

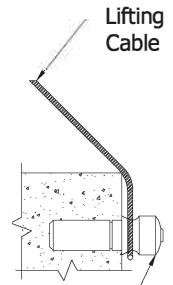
This drawing is the property of the Diamond Precast Concrete. All information contained herein is confidential and may not be used in whole or in part without written permission from the owner.
Sheet No. 1 OF 1



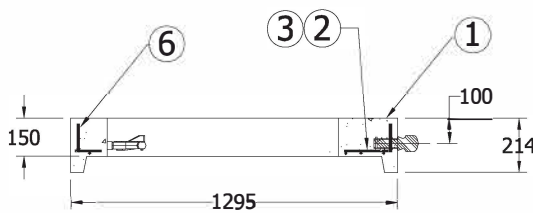
PLAN VIEW
SCALE 1:30



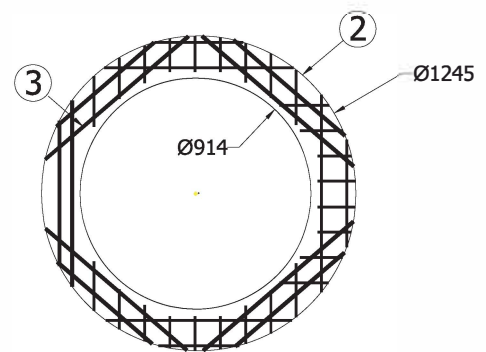
Lifting Detail



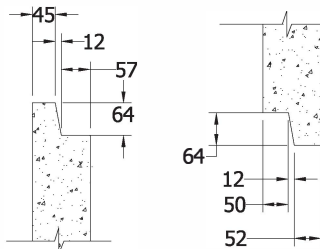
Lifting Lug



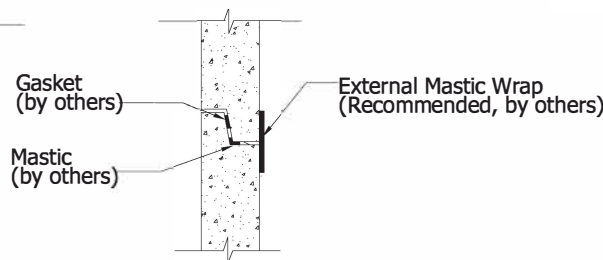
SECTION A-A
SCALE 1:30



REINFORCEMENT PLAN VIEW
SCALE 1:30



TONGUE & GROOVE DETAIL
SCALE 1:15



SUGGESTED JOINT DETAIL
SCALE 1:15

Specification and General Notes:

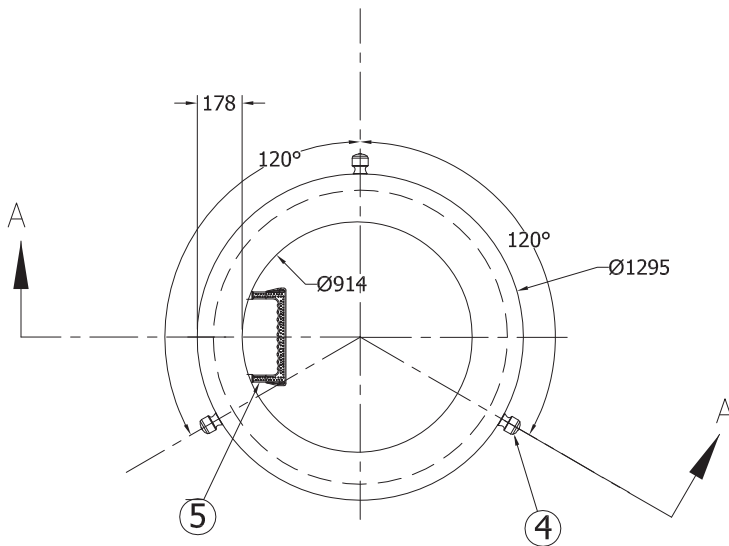
1. Manhole design/manufacture to ASTM C478M Specification.
2. Concrete testing to current version of ASTM C497/CSA 23.1&2.
3. Min. concrete compressive strength 30 MPa with Max. W/C ratio of 0.5
4. Gasket to ASTM C-443 specification (by others).
5. Concrete cover to be Min.25mm.
6. All dimensions to be millimeter.
7. Welded wire mesh overlap to be 300mm.
8. Manhole design and construction to MMCD manhole specification section 02725.
9. Manufacturing tolerance to be +/- 5mm.
10. Concrete Exposure Class to be A-3
11. Min. Stripping Strength to be 15MPa
12. All Form Finish to be Standard Grade
13. All Unformed Finish to be Steel Trowelled Finish or Wood Float Finish
14. Lifting cable and accessories to meet the strength requirement in lifting detail
15. Hoisting and Rigging system to meet WORK SAFE BC OHS Regulation Guideline Part 14/15

LEAD TIME APPLIES;
 CUSTOM ITEM & NON-STOCK

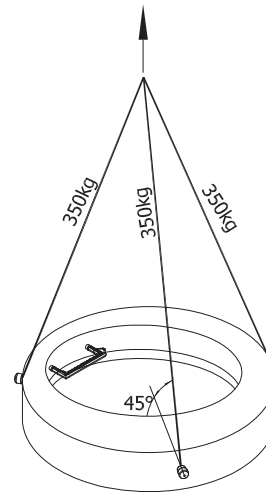


Description:	1067 ID DONUT LID-914 OPENING	
	42 Donut Lid 786#-36" OPENING	
Project:		

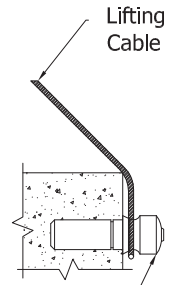
Drawn :	Date :	Catalog No.
D.L	24/09/2016	4208DL-36CO
Approved :	Load Rating:	Dwg. No.
V.W.	H20 RATED	42-14
Rev. No.	Scale :	Sheet No.
A	As Shown	1 OF 1



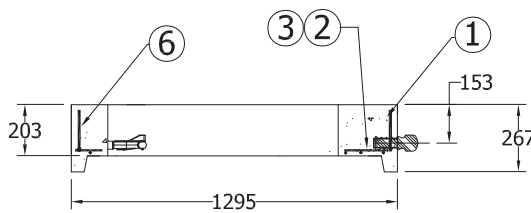
PLAN VIEW
SCALE 1:30



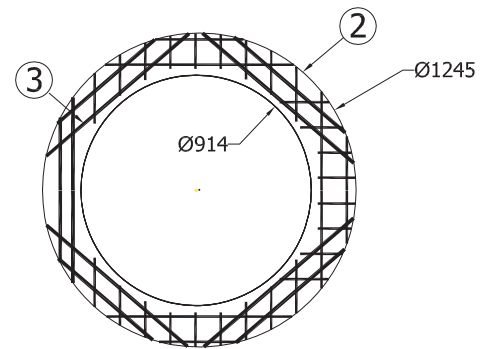
LIFTING DETAIL



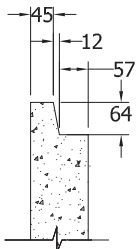
LIFTING LUG



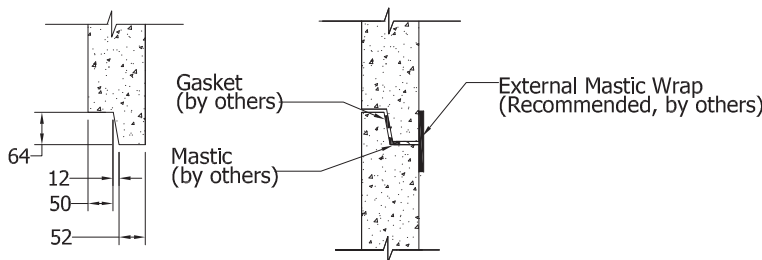
SECTION A-A
SCALE 1:30



REINFORCEMENT PLAN VIEW
SCALE 1:30



TONGUE & GROOVE DETAIL
SCALE 1:15



SUGGESTED JOINT DETAIL
SCALE 1:15

Specification and General Notes:

1. Manhole design/manufacture to ASTM C478M Specification.
2. Concrete testing to current version of ASTM C497/CSA 23.1&2.
3. Min. concrete compressive strength 30 MPa with Max. W/C ratio of 0.5
4. Gasket to ASTM C-443 specification (by others).
5. Concrete cover to be Min.25mm.
6. All dimensions to be millimeter.
7. Welded wire mesh overlap to be 300mm.
8. Manhole design and construction to MMCD manhole specification section 02725.
9. Manufacturing tolerance to be +/- 5mm.
10. Concrete Exposure Class to be A-3
11. Min. Stripping Strength to be 15MPa
12. All Form Finish to be Standard Grade
13. All Unformed Finish to be Steel Trowelled Finish or Wood Float Finish
14. Lifting cable and accessories to meet the strength requirement in lifting detail
15. Hoisting and Rigging system to meet WORK SAFE BC OHS Regulation Guideline Part 14/15

LEAD TIME APPLIES;
CUSTOM ITEM & NON-STOCK

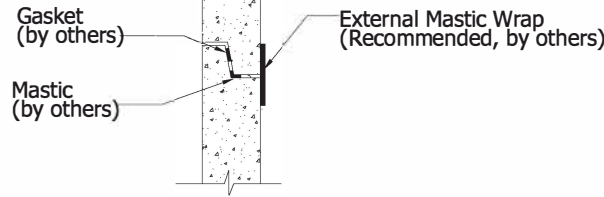
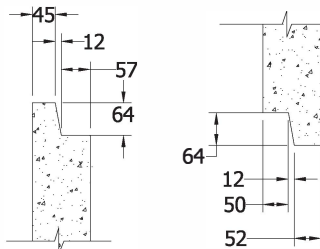
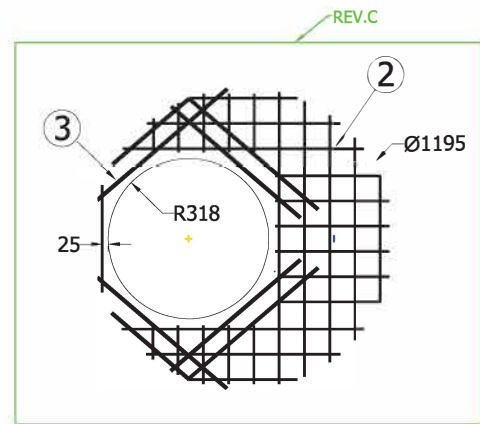
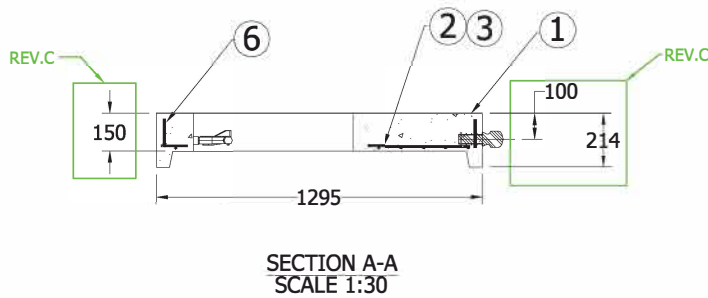
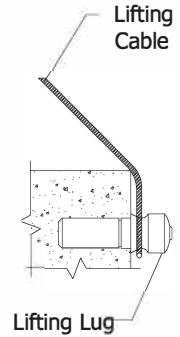
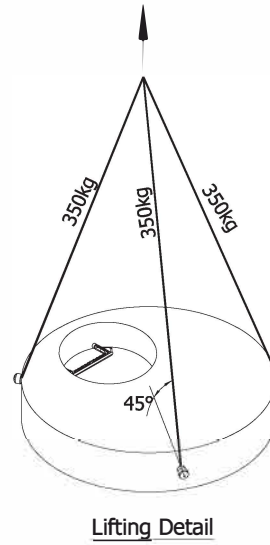
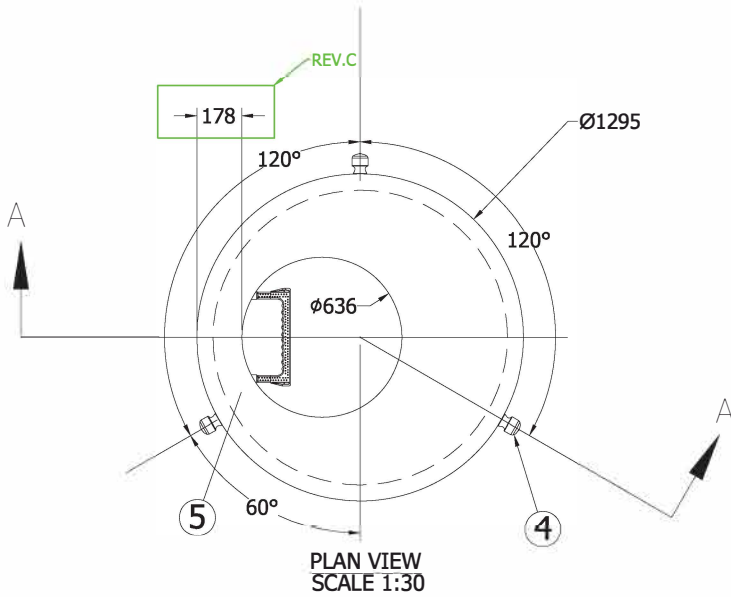


Description:	1067 ID DONUT LID-914 OPENING	
	42 Donut Lid 880#-36" OPENING	
Project:		

Drawn :	Date :
D.L	24/09/2016
Approved :	Load Rating:
V.W.	H20 RATED
Rev. No.	Scale :
A	As Shown

Catalog No.
4210DL-36CO
Dwg. No.
42-15
Sheet No.
1 OF 1

4208DL



Specification and General Notes:

1. Manhole design/manufacture to ASTM C478M Specification.
2. Concrete testing to current version of ASTM C497/CSA 23.18.2.
3. Min. concrete compressive strength 30 MPa with Max. W/C ratio of 0.5
4. Gasket to ASTM C-443 specification (by others).
5. Concrete cover to be Min.25mm.
6. All dimensions to be millimeter.
7. Welded wire mesh overlap to be 300mm.
8. Manhole design and construction to MMCD manhole specification section 02725.
9. Manufacturing tolerance to be +/- 5mm.
10. Concrete Exposure Class to be A-3
11. Min. Stripping Strength to be 15MPa
12. All Form Finish to be Standard Grade
13. All Unformed Finish to be Steel Trowelled Finish or Wood Float Finish
14. Lifting cable and accessories to meet the strength requirement in lifting detail
15. Hoisting and Rigging system to meet WORK SAFE BC OHS Regulation Guideline Part 14/15

LEAD TIME APPLIES;
CUSTOM ITEM & NON-STOCK



Description:
1067 ID DONUT LID

42 Donut Lid 786#

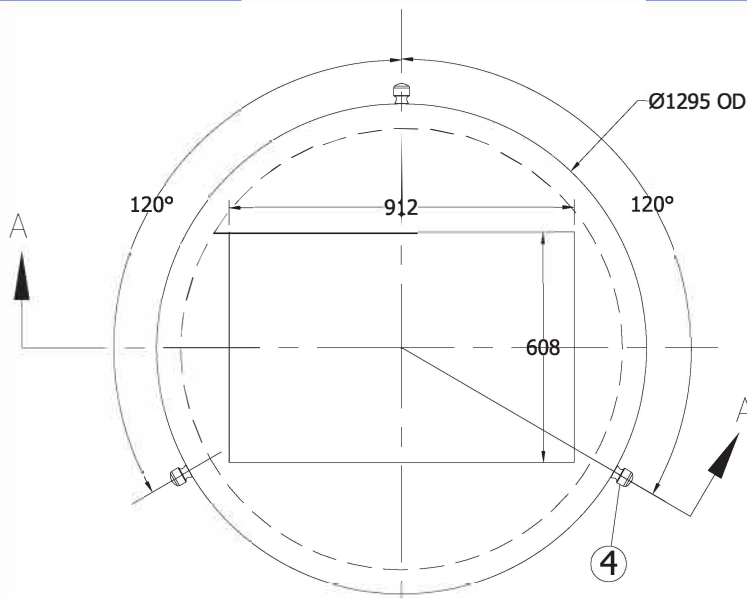
Project:

Drawn : D.L	Date : 07/03/2016	Catalog No. 4208DL
Approved : V.W.	Load Rating: H20 RATED	Dwg. No. 42-08
Rev. No. C	Scale : As Shown	Sheet No. 1 OF 1

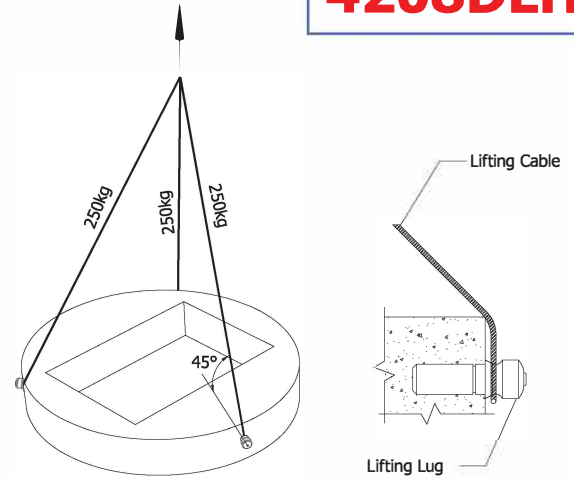
7520 Conrad Street Burnaby, B.C. V5A 2H7 Phone : 604-415-5181 Fax : 604-415-5185
www.diamondprecast.com

This drawing is the property of the Diamond Precast Concrete. All information contained herein is confidential and may not be used in whole or in part without written permission from the owner.

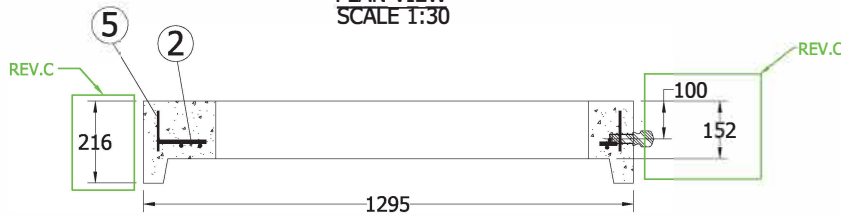
4208DLH



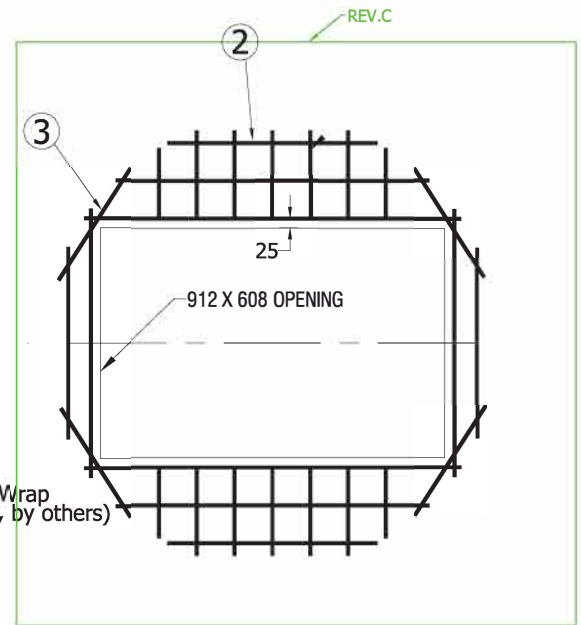
PLAN VIEW
SCALE 1:30



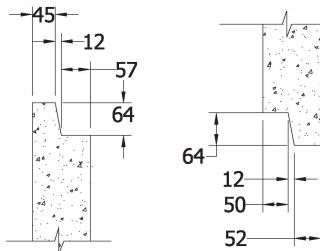
Lifting Detail



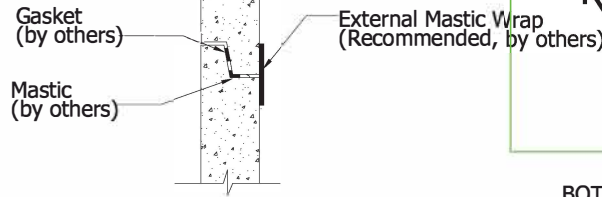
SECTION A-A
SCALE 1:30



BOTTOM REINFORCEMENT PLAN VIEW
SCALE 1:30



TONGUE & GROOVE DETAIL
SCALE 1 : 15



SUGGESTED JOINT DETAIL
SCALE 1 : 15

Specification and General Notes:

1. Manhole design/manufacture to ASTM C478M Specification.
2. Concrete testing to current version of ASTM C497/CSA 23.18.2.
3. Min. concrete compressive strength 30 MPa with Max. W/C ratio of 0.5
4. Gasket to ASTM C-443 specification (by others).
5. Concrete cover to be Min.25mm.
6. All dimensions to be millimeter.
7. Welded wire mesh overlap to be 300mm.
8. Manhole design and construction to MMCD manhole specification section 02725.
9. Manufacturing tolerance to be +/- 5mm.
10. Concrete Exposure Class to be A-3
11. Min. Stripping Strength to be 15MPa
12. All Form Finish to be Standard Grade
13. All Unformed Finish to be Steel Trowelled Finish or Wood Float Finish
14. Lifting cable and accessories to meet the strength requirement in lifting detail
15. Hoisting and Rigging system to meet WORK SAFE BC OHS Regulation Guideline Part 14/15

LEAD TIME APPLIES;
CUSTOM ITEM & NON-STOCK



Description:
1067 ID Donut Lid Hatch Opening

42 Donut Lid Hatch Opening 600 #

Project:

Drawn : D.L	Date : 31/03/2016	Catalog No. 4208DLH
Approved : V.W.	Load Rating: H20 RATED	Dwg. No. 42-09
Rev. No. C	Scale : As Shown	Sheet No. 1 OF 1

7520 Conrad Street Burnaby, B.C. V5A 2H7 Phone : 604-415-5181 Fax : 604-415-5185
www.diamondprecast.com

This drawing is the property of the Diamond Precast Concrete. All information contained herein is confidential and may not be used in whole or in part without written permission from the owner