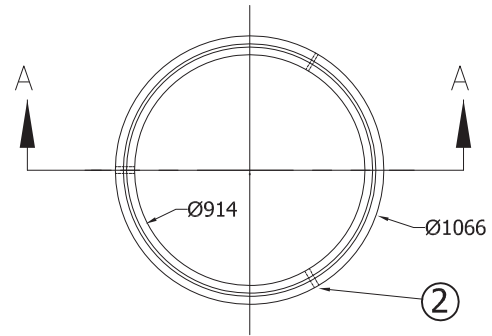
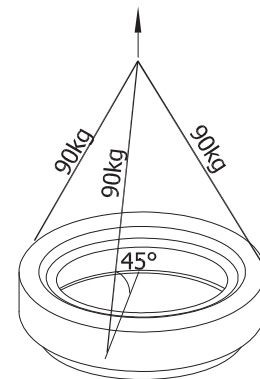


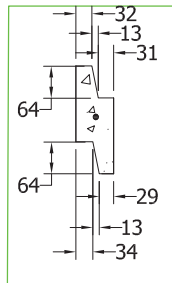
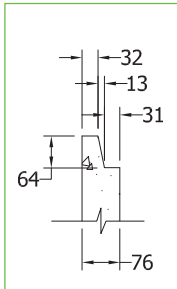
SECTION A-A
SCALE 1:30



PLAN VIEW
SCALE 1:30

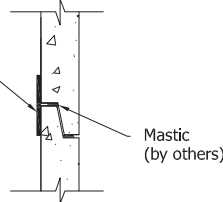


3D VIEW



REV.B

External Mastic Wrap
Recommended
(by others)



Mastic
(by others)

SUGGESTED JOINT DETAIL
SCALE 1 : 15

TONGUE & GROOVE DETAIL
SCALE 1 : 15

REV.B

Specification and General Notes:

1. Manhole design/manufacture to ASTM C478M Specification.
2. Concrete testing to current version of ASTM C497/CSA 23.1&2.
3. Min. concrete compressive strength 30 MPa with Max. W/C ratio of 0.5
4. Gasket to ASTM C-443 specification (by others).
5. Concrete cover to be Min.25mm.
6. All dimensions to be millimeter.
7. Welded wire mesh overlap to be 300mm.
8. Manhole design and construction to MMCD manhole specification section 02725.
9. Manufacturing tolerance to be +/- 5mm.
10. Concrete Exposure Class to be A-3
11. Min. Stripping Strength to be 15MPa
12. All Form Finish to be Standard Grade
13. All Unformed Finish to be Steel Trowelled Finish or Wood Float Finish
14. Lifting cable and accessories to meet the strength requirement in lifting detail
15. Hoisting and Rigging system to meet WORK SAFE BC OHS Regulation Guideline Part 14/15

REV.B



Description:

914ID x 152H Manhole Riser

36"ID x 6"H Manhole Riser 209 #

Project:

Drawn :

D.L

Date :

02/09/2016

Catalog No.

3606R

Approved :

V.W.

Load Rating:

N/A

Dwg. No.

36-01

Rev. No.

B

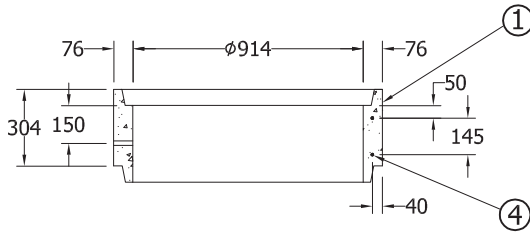
Scale :

As Shown

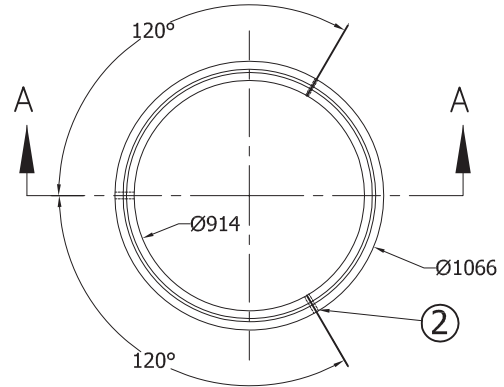
Sheet No.

1 OF 1

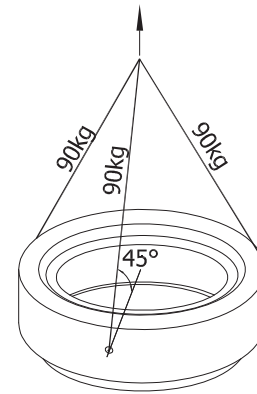
This drawing is the property of the Diamond Precast Concrete. All information contained herein is confidential and may not be used in whole or in part without written permission from the owner.



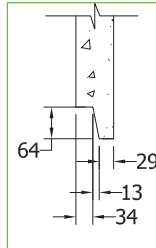
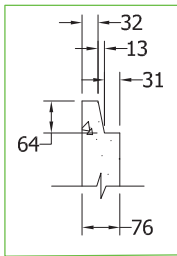
SECTION A-A
SCALE 1:30



PLAN VIEW
SCALE 1:30



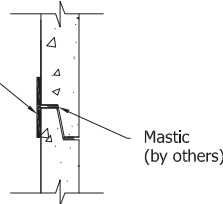
3D VIEW



TONGUE & GROOVE DETAIL
SCALE 1 : 15

REV.B

External Mastic Wrap
Recommended
(by others)



SUGGESTED JOINT DETAIL
SCALE 1 : 15

REV.B

Specification and General Notes:

1. Manhole design/manufacture to ASTM C478M Specification.
2. Concrete testing to current version of ASTM C497/CSA 23.1&2.
3. Min. concrete compressive strength 30 MPa with Max. W/C ratio of 0.5
4. Gasket to ASTM C-443 specification (by others).
5. Concrete cover to be Min.25mm.
6. All dimensions to be millimeter.
7. Welded wire mesh overlap to be 300mm.
8. Manhole design and construction to MMCD manhole specification section 02725.
9. Manufacturing tolerance to be +/- 5mm.
10. Concrete Exposure Class to be A-3
11. Min. Stripping Strength to be 15MPa
12. All Form Finish to be Standard Grade
13. All Unformed Finish to be Steel Trowelled Finish or Wood Float Finish
14. Lifting cable and accessories to meet the strength requirement in lifting detail
15. Hoisting and Rigging system to meet WORK SAFE BC OHS Regulation Guideline Part 14/15



Description:

914ID x 304H Manhole Riser

36"ID x 12"H Manhole Riser 417 #

Project:

Drawn :

D.L

Date :

02/09/2016

Catalog No.

3612R

Approved :

V.W.

Load Rating:

N/A

Dwg. No.

36-02

Rev. No.

B

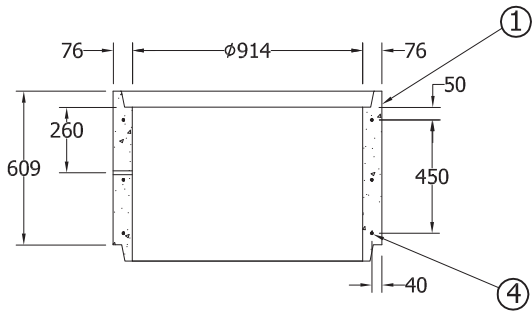
Scale :

As Shown

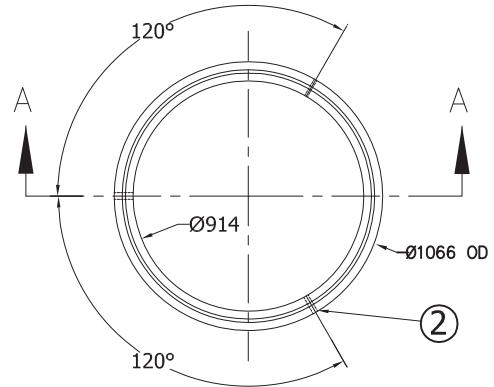
Sheet No.

1 OF 1

This drawing is the property of the Diamond Precast Concrete. All information contained herein is confidential and may not be used in whole or in part without written permission from the owner.

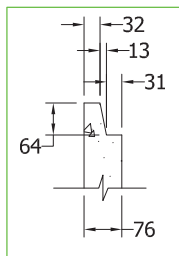


SECTION A-A
SCALE 1:30

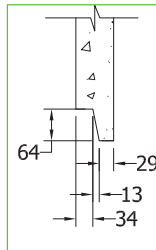


PLAN VIEW
SCALE 1:30

SECTION A-A
SCALE 1:30



TONGUE & GROOVE DETAIL
SCALE 1 : 15

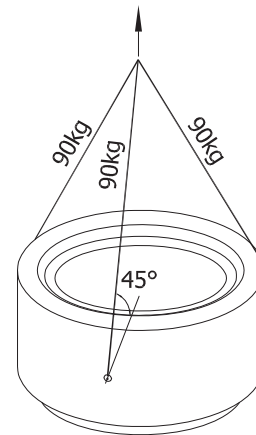


SUGGESTED JOINT DETAIL
SCALE 1 : 15

REV.B

External Mastic Wrap
Recommended
(by others)

Mastic
(by others)



3D VIEW

Specification and General Notes:

1. Manhole design/manufacture to ASTM C478M Specification.
2. Concrete testing to current version of ASTM C497/CSA 23.1&2.
3. Min. concrete compressive strength 30 MPa with Max. W/C ratio of 0.5
4. Gasket to ASTM C-443 specification (by others).
5. Concrete cover to be Min.25mm.
6. All dimensions to be millimeter.
7. Welded wire mesh overlap to be 300mm.
8. Manhole design and construction to MMCD manhole specification section 02725.
9. Manufacturing tolerance to be +/- 5mm.
10. Concrete Exposure Class to be A-3
11. Min. Stripping Strength to be 15MPa
12. All Form Finish to be Standard Grade
13. All Unformed Finish to be Steel Trowelled Finish or Wood Float Finish
14. Lifting cable and accessories to meet the strength requirement in lifting detail
15. Hoisting and Rigging system to meet WORK SAFE BC OHS Regulation Guideline Part 14/15



Description:

914ID x 609H Manhole Riser

36"ID x 24"H Manhole Riser 837 #

Project:

Drawn :

D.L

Date :

02/09/2016

Catalog No.

3624R

Approved :

V.W.

Load Rating:

N/A

Dwg. No.

36-03

Rev. No.

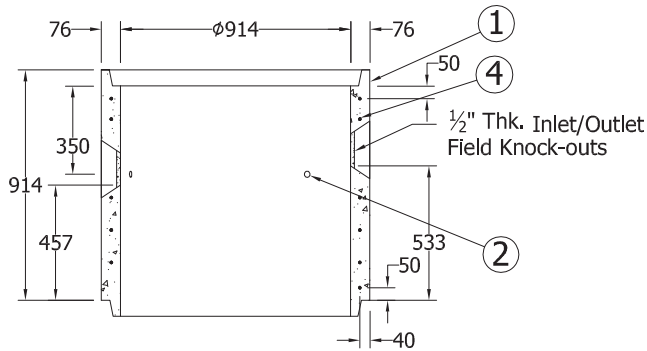
B

Scale :

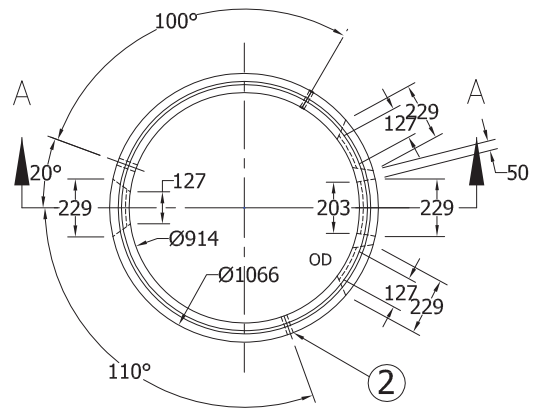
As Shown

Sheet No.

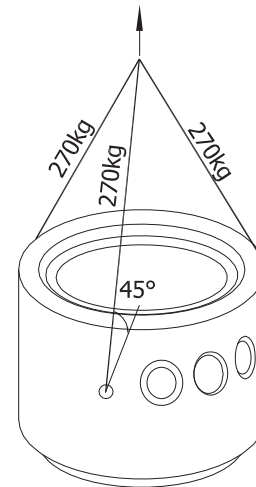
1 OF 1



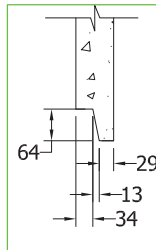
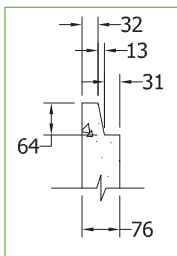
SECTION A-A
SCALE 1:30



PLAN VIEW
SCALE 1:30



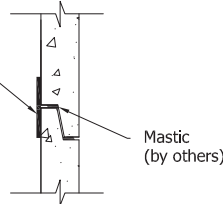
3D VIEW



TONGUE & GROOVE DETAIL
SCALE 1 : 15

REV.B

External Mastic Wrap
Recommended
(by others)



SUGGESTED JOINT DETAIL
SCALE 1 : 15

Mastic
(by others)

REV.B

Specification and General Notes:

1. Manhole design/manufacture to ASTM C478M Specification.
2. Concrete testing to current version of ASTM C497/CSA 23.1&2.
3. Min. concrete compressive strength 30 MPa with Max. W/C ratio of 0.5
4. Gasket to ASTM C-443 specification (by others).
5. Concrete cover to be Min.25mm.
6. All dimensions to be millimeter.
7. Welded wire mesh overlap to be 300mm.
8. Manhole design and construction to MMCD manhole specification section 02725.
9. Manufacturing tolerance to be +/- 5mm.
10. Concrete Exposure Class to be A-3
11. Min. Stripping Strength to be 15MPa
12. All Form Finish to be Standard Grade
13. All Unformed Finish to be Steel Trowelled Finish or Wood Float Finish
14. Lifting cable and accessories to meet the strength requirement in lifting detail
15. Hoisting and Rigging system to meet WORK SAFE BC OHS Regulation Guideline Part 14/15



Description:

914ID x 914H Manhole Riser

36"ID x 36"H Manhole Riser 1255 #

Project:

Drawn :

D.L

Date :

02/09/2016

Catalog No.

3636R

Approved :

V.W.

Load Rating:

N/A

Dwg. No.

36-05

Rev. No.

B

Scale :

As Shown

Sheet No.

1 OF 1