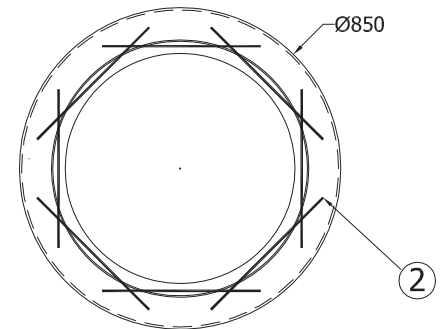
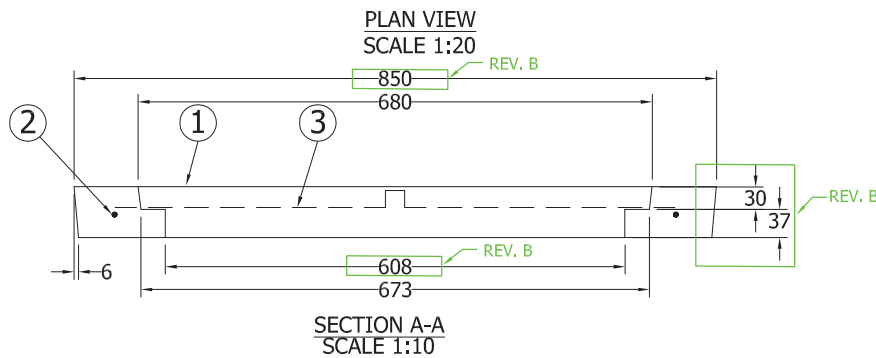


3D VIEW



REINFORCEMENT PLAN VIEW
SCALE 1:20

Specification and General Notes:

1. Manhole design/manufacture to ASTM C478M Specification.
2. Concrete testing to current version of ASTM C497/CSA 23.1&2.
3. Min. concrete compressive strength 30 MPa with Max. W/C ratio of 0.5
4. Gasket to ASTM C-443 specification (by others).
5. Concrete cover to be Min.25mm.
6. All dimensions to be millimeter.
7. Welded wire mesh overlap to be 300mm.
8. Manhole design and construction to MMCD manhole specification section 02725.
9. Manufacturing tolerance to be +/- 5mm.
10. Concrete Exposure Class to be A-3
11. Min. Stripping Strength to be 15MPa
12. All Form Finish to be Standard Grade
13. All Unformed Finish to be Steel Trowelled Finish or Wood Float Finish
14. Lifting cable and accessories to meet the strength requirement in lifting detail
15. Hoisting and Rigging system to meet WORK SAFE BC OHS Regulation Guideline Part 14/15



Description:
826 OD Lid Round Opening

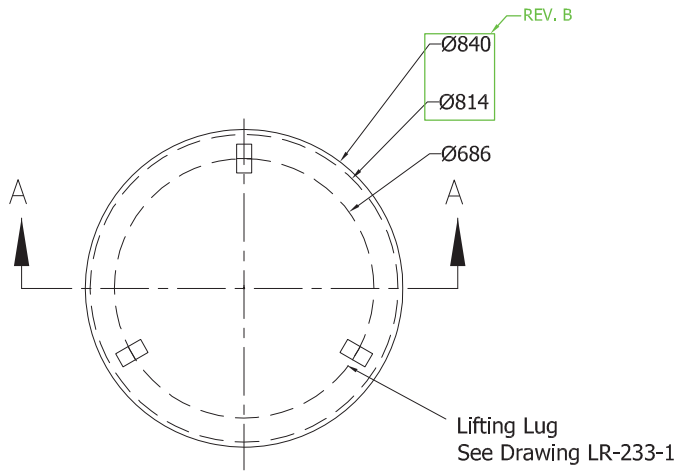
30 "ID Lid Round Opening # 101

Project:

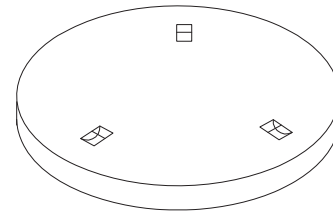
Drawn : D.L.	Date : 08/07/2016
Approved : V.W.	Load Rating: N/A
Rev. No. : B	Scale : As Shown

Catalog No. 30SPLOR
Dwg. No. 30-15
Sheet No. 1 OF 1

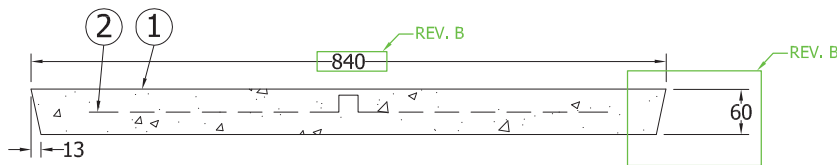
30CLS



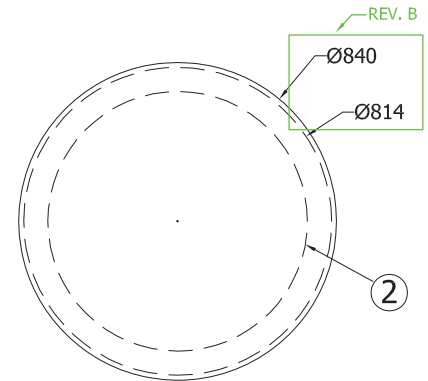
PLAN VIEW
SCALE 1:20



3D VIEW



SECTION A-A
SCALE 1:10



REINFORCEMENT PLAN VIEW
SCALE 1:20

Specification and General Notes:

1. Manhole design/manufacture to ASTM C478M Specification.
2. Concrete testing to current version of ASTM C497/CSA 23.1&2.
3. Min. concrete compressive strength 30 MPa with Max. W/C ratio of 0.5
4. Gasket to ASTM C-443 specification (by others).
5. Concrete cover to be Min.25mm.
6. All dimensions to be millimeter.
7. Welded wire mesh overlap to be 300mm.
8. Manhole design and construction to MMCD manhole specification section 02725.
9. Manufacturing tolerance to be +/- 5mm.
10. Concrete Exposure Class to be A-3
11. Min. Stripping Strength to be 15MPa
12. All Form Finish to be Standard Grade
13. All Unformed Finish to be Steel Trowelled Finish or Wood Float Finish
14. Lifting cable and accessories to meet the strength requirement in lifting detail
15. Hoisting and Rigging system to meet WORK SAFE BC OHS Regulation Guideline Part 14/15



Description:

762 ID Concrete Lid Solid

30" ID Concrete Lid Solid #203

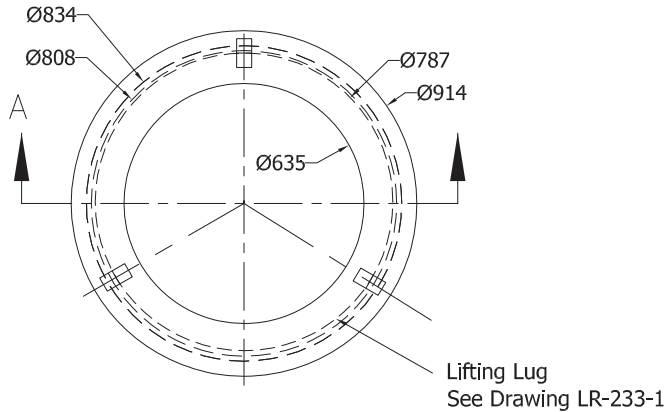
Project:

Drawn : D.L.	Date : 05/07/2016
Approved : V.W.	Load Rating: N/A
Rev. No. B	Scale : As Shown

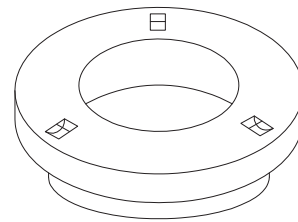
Catalog No.
30CLS

Dwg. No.
30-11

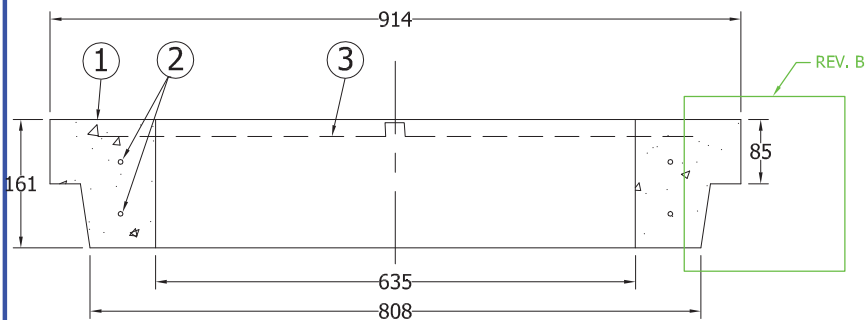
30DLROM



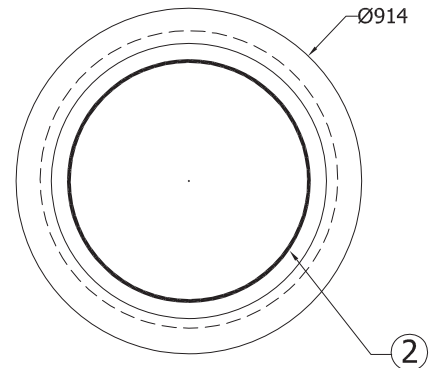
PLAN VIEW
SCALE 1:20



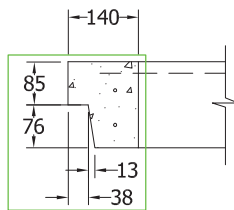
3D VIEW



SECTION A-A
SCALE 1:10



REINFORCEMENT PLAN VIEW
SCALE 1:20



TONGUE & GROOVE DETAIL
SCALE 1 : 15

Specification and General Notes:

1. Manhole design/manufacture to ASTM C478M Specification.
2. Concrete testing to current version of ASTM C497/CSA 23.1&2.
3. Min. concrete compressive strength 30 MPa with Max. W/C ratio of 0.5
4. Gasket to ASTM C-443 specification (by others).
5. Concrete cover to be Min.25mm.
6. All dimensions to be millimeter.
7. Welded wire mesh overlap to be 300mm.
8. Manhole design and construction to MMCD manhole specification section 02725.
9. Manufacturing tolerance to be +/- 5mm.
10. Concrete Exposure Class to be A-3
11. Min. Stripping Strength to be 15MPa
12. All Form Finish to be Standard Grade
13. All Unformed Finish to be Steel Trowelled Finish or Wood Float Finish
14. Lifting cable and accessories to meet the strength requirement in lifting detail
15. Hoisting and Rigging system to meet WORK SAFE BC OHS Regulation Guideline Part 14/15



Description:

914 OD Donut Lid Round Opening Male

30"ID Donut Lid Round Opening #257

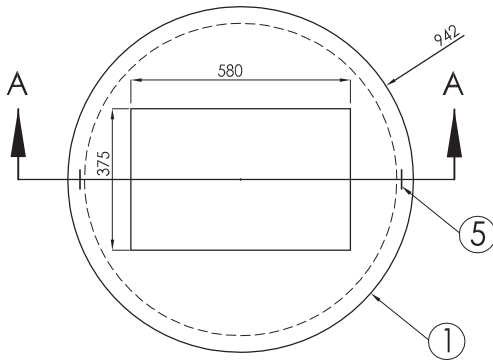
Project:

Drawn : D.L.	Date : 08/07/2016	Catalog No. 30DLROM
Approved : V.W.	Load Rating: H20 RATED	
Rev. No. B	Scale : As Shown	Dwg. No. 30-14

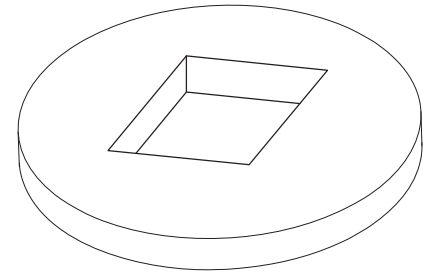
7520 Conrad Street Burnaby, B.C. V5A 2H7 Phone : 604-415-5181 Fax : 604-415-5185
www.diamondprecast.com

This drawing is the property of the Diamond Precast Concrete. All information contained herein is confidential and may not be used in whole or in part without written permission from the owner

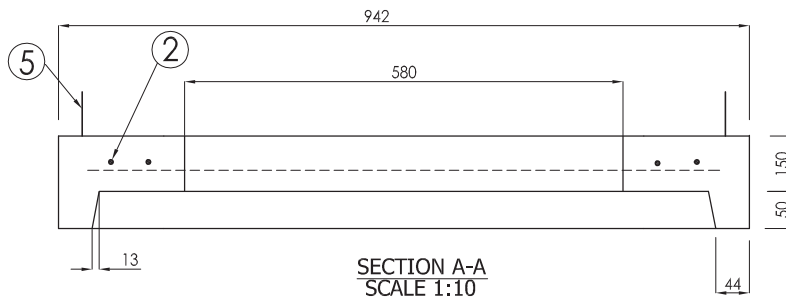
Sheet No.
1 OF 1



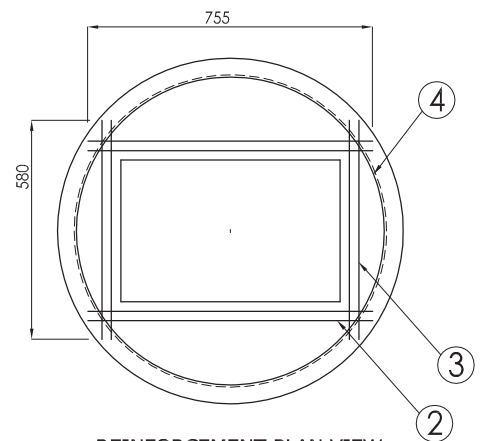
PLAN VIEW
SCALE 1:20



3D VIEW



SECTION A-A
SCALE 1:10



REINFORCEMENT PLAN VIEW
SCALE 1:20

Specification and General Notes:

1. Manhole design/manufacture to ASTM C478M Specification.
2. Concrete testing to current version of ASTM C497/CSA 23.1 & 2.
3. Min. concrete compressive strength 30 MPa with Max. W/C ratio of 0.5.
4. Gasket to ASTM C-443 specification (by others).
5. Concrete cover to be Min.25mm.
6. All dimensions to be millimeter.
7. Welded wire mesh overlap to be 300mm.
8. Manhole design and construction to MMCD manhole specification section 02725.
9. Manufacturing tolerance to be +/- 5mm.
10. Concrete Exposure Class to be A-3.
11. Min. Stripping Strength to be 15MPa.
12. All Form Finish to be Standard Grade.
13. All Unformed Finish to be Steel Trowelled Finish or Wood Float Finish.
14. Lifting cable and accessories to meet the strength requirement in lifting detail.
15. Hoisting and Rigging system to meet WORK SAFE BC OHS Regulation Guideline Part 14/15



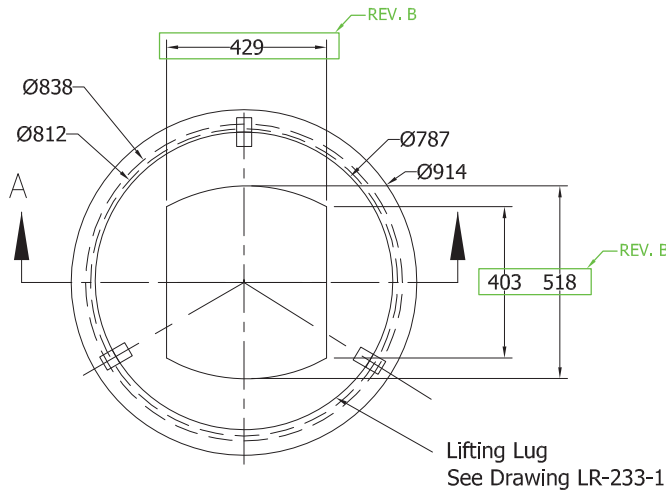
Description:
762 ID Donut Rectangular Opening Female

30"ID Donut Round Opening Female #340

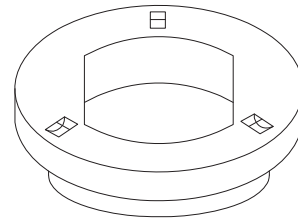
Project:

Drawn : A.M	Date : 07/20/2015	Catalog No. 30DL-MOT
Approved : V.W.	Load Rating: H20 RATED	Dwg. No. 30-13
Rev. No. A	Scale : As Shown	

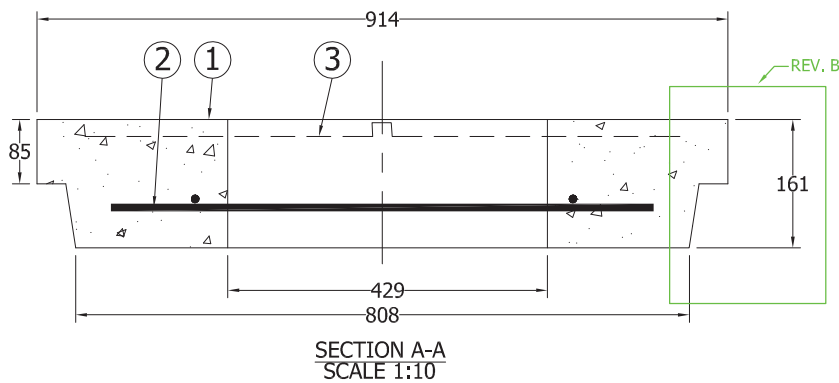
30DLCGM



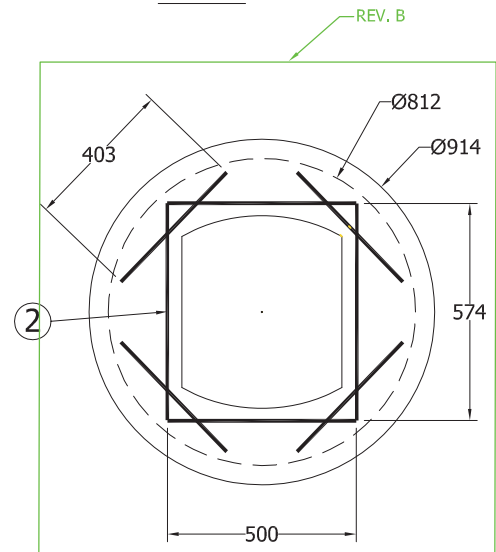
PLAN VIEW
SCALE 1:20



3D VIEW



SECTION A-A
SCALE 1:10



REINFORCEMENT PLAN VIEW
SCALE 1:20

TONGUE & GROOVE DETAIL
SCALE 1 : 15

Specification and General Notes:

1. Manhole design/manufacture to ASTM C478M Specification.
2. Concrete testing to current version of ASTM C497/CSA 23.1&2.
3. Min. concrete compressive strength 30 MPa with Max. W/C ratio of 0.5
4. Gasket to ASTM C-443 specification (by others).
5. Concrete cover to be Min.25mm.
6. All dimensions to be millimeter.
7. Welded wire mesh overlap to be 300mm.
8. Manhole design and construction to MMCD manhole specification section 02725.
9. Manufacturing tolerance to be +/- 5mm.
10. Concrete Exposure Class to be A-3
11. Min. Stripping Strength to be 15MPa
12. All Form Finish to be Standard Grade
13. All Unformed Finish to be Steel Trowelled Finish or Wood Float Finish
14. Lifting cable and accessories to meet the strength requirement in lifting detail
15. Hoisting and Rigging system to meet WORK SAFE BC OHS Regulation Guideline Part 14/15



Description:

914 OD Donut Lid Curb & Gutter - Male

30"ID Donut Lid Curb & Gutter #348

Project:

Drawn : D.L.	Date : 08/07/2016
Approved : V.W.	Load Rating: H20 RATED
Rev. No. B	Scale : As Shown

Catalog No.
30DLCGM

Dwg. No.
30-12

7520 Conrad Street Burnaby, B.C. V5A 2H7 Phone : 604-415-5181 Fax : 604-415-5185
www.diamondprecast.com

This drawing is the property of the Diamond Precast Concrete. All information contained herein is confidential and may not be used in whole or in part without written permission from the owner

Sheet No.
1 OF 1