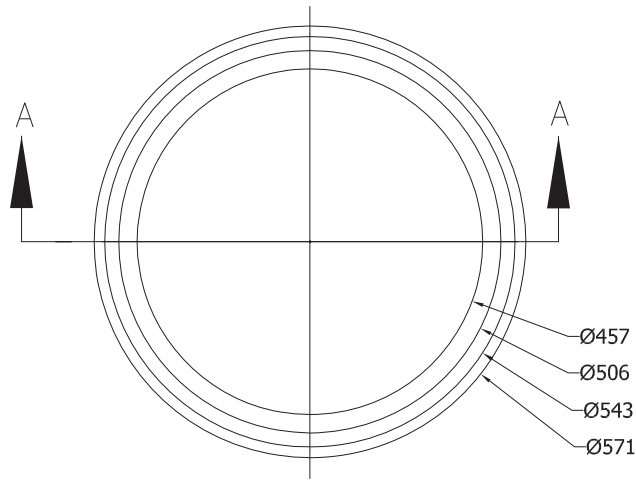
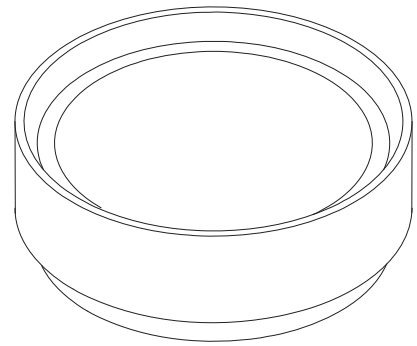


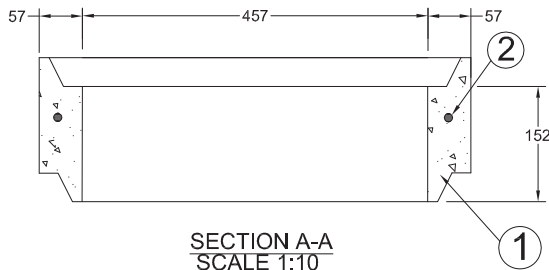
1806R



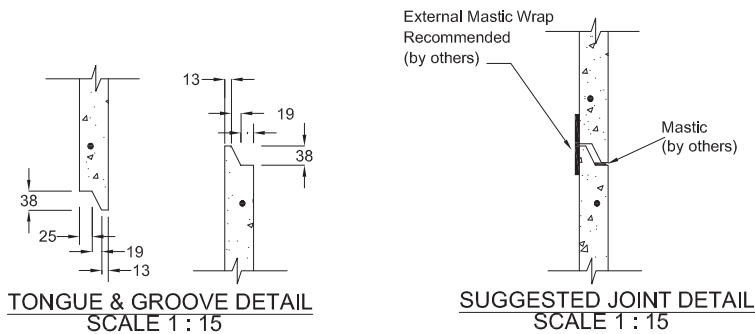
PLAN VIEW
SCALE 1:10



3D VIEW



SECTION A-A
SCALE 1:10



TONGUE & GROOVE DETAIL
SCALE 1 : 15

SUGGESTED JOINT DETAIL
SCALE 1 : 15

Specification and General Notes:

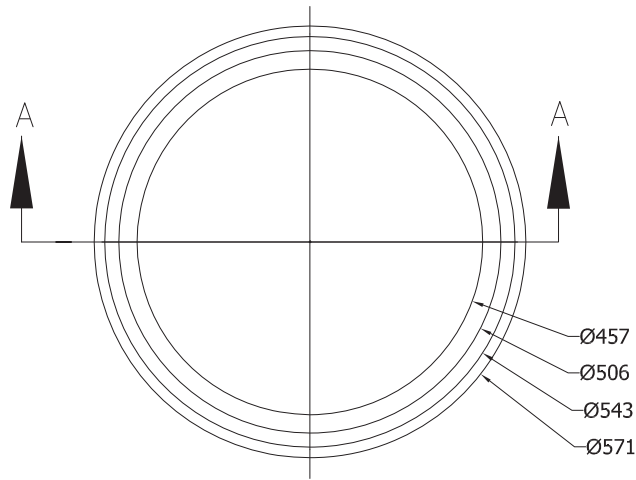
1. Manhole design/manufacture to ASTM C478M Specification.
2. Concrete testing to current version of ASTM C497/CSA 23.1&2.
3. Min. concrete compressive strength 30 MPa with Max. W/C ratio of 0.5
4. Gasket to ASTM C-443 specification (by others).
5. Concrete cover to be Min.25mm.
6. All dimensions to be millimeter.
7. Welded wire mesh overlap to be 300mm.
8. Manhole design and construction to MMCD manhole specification section 02725.
9. Manufacturing tolerance to be +/- 5mm.
10. Concrete Exposure Class to be A-3
11. Min. Stripping Strength to be 15MPa
12. All Form Finish to be Standard Grade
13. All Unformed Finish to be Steel Trowelled Finish or Wood Float Finish
14. Lifting cable and accessories to meet the strength requirement in lifting detail
15. Hoisting and Rigging system to meet WORK SAFE BC OHS Regulation Guideline Part 14/15



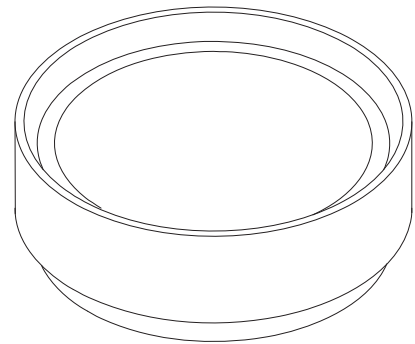
Description:	457 ID x 152 H Riser T&G	
	18"ID x 06"H Riser T&G #72	
Project:		

Drawn :	Date :
A.M	07/23/2015
Approved :	Load Rating:
V.W.	N/A
Rev. No.	Scale :
A	As Shown

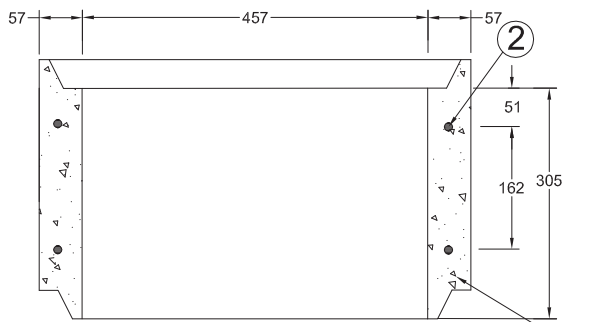
Catalog No.	1806R
Dwg. No.	18-01
Sheet No.	1 OF 1



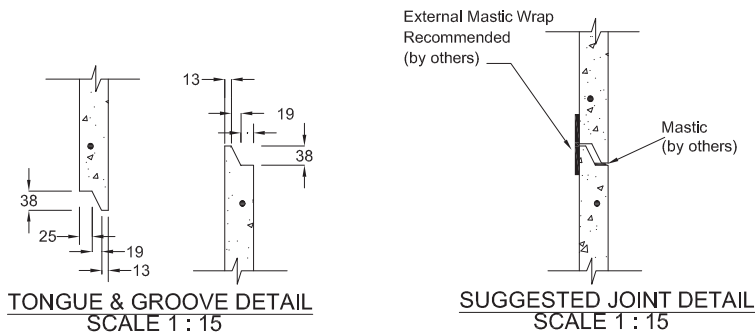
PLAN VIEW
SCALE 1:10



3D VIEW



SECTION A-A
SCALE 1:10



TONGUE & GROOVE DETAIL
SCALE 1:15

SUGGESTED JOINT DETAIL
SCALE 1:15

Specification and General Notes:

1. Manhole design/manufacture to ASTM C478M Specification.
2. Concrete testing to current version of ASTM C497/CSA 23.1&2.
3. Min. concrete compressive strength 30 MPa with Max. W/C ratio of 0.5
4. Gasket to ASTM C-443 specification (by others).
5. Concrete cover to be Min.25mm.
6. All dimensions to be millimeter.
7. Welded wire mesh overlap to be 300mm.
8. Manhole design and construction to MMCD manhole specification section 02725.
9. Manufacturing tolerance to be +/- 5mm.
10. Concrete Exposure Class to be A-3
11. Min. Stripping Strength to be 15MPa
12. All Form Finish to be Standard Grade
13. All Unformed Finish to be Steel Trowelled Finish or Wood Float Finish
14. Lifting cable and accessories to meet the strength requirement in lifting detail
15. Hoisting and Rigging system to meet WORK SAFE BC OHS Regulation Guideline Part 14/15

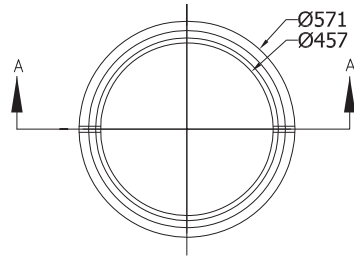


Description: 457 ID x 305 H Riser T&G 18"ID x 12"H Riser T&G #145	Drawn : A.M	Date : 07/23/2015	Catalog No. 1812R
	Approved : V.W.	Load Rating: N/A	
	Project:	Rev. No. A	Scale : As Shown

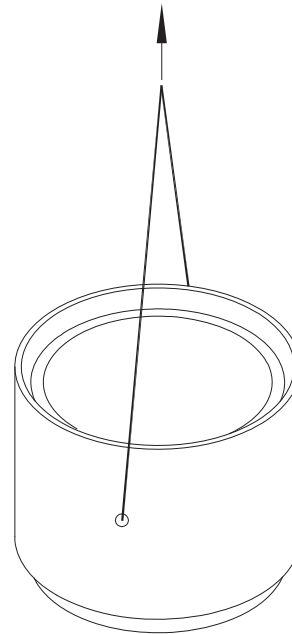
7520 Conrad Street Burnaby, B.C. V5A 2H7 Phone : 604-415-5181 Fax : 604-415-5185
www.diamondprecast.com

This drawing is the property of the Diamond Precast Concrete. All information contained herein is confidential and may not be used in whole or in part without written permission from the owner

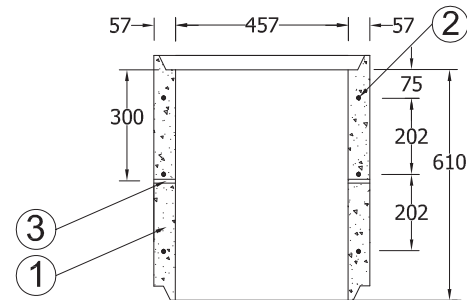
Sheet No.
1 OF 1



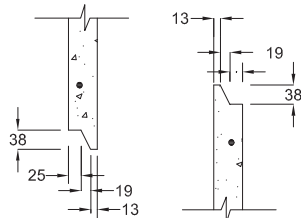
PLAN VIEW
SCALE 1:20



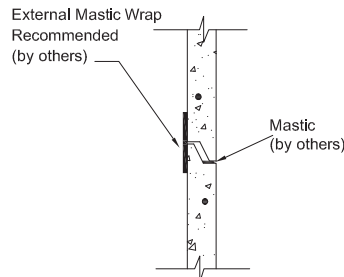
3D VIEW



SECTION A-A
SCALE 1:20



TONGUE & GROOVE DETAIL
SCALE 1 : 15



SUGGESTED JOINT DETAIL
SCALE 1 : 15

Specification and General Notes:

1. Manhole design/manufacture to ASTM C478M Specification.
2. Concrete testing to current version of ASTM C497/CSA 23.1&2.
3. Min. concrete compressive strength 30 MPa with Max. W/C ratio of 0.5
4. Gasket to ASTM C-443 specification (by others).
5. Concrete cover to be Min.25mm.
6. All dimensions to be millimeter.
7. Welded wire mesh overlap to be 300mm.
8. Manhole design and construction to MMCD manhole specification section 02725.
9. Manufacturing tolerance to be +/- 5mm.
10. Concrete Exposure Class to be A-3
11. Min. Stripping Strength to be 15MPa
12. All Form Finish to be Standard Grade
13. All Unformed Finish to be Steel Trowelled Finish or Wood Float Finish
14. Lifting cable and accessories to meet the strength requirement in lifting detail
15. Hoisting and Rigging system to meet WORK SAFE BC OHS Regulation Guideline Part 14/15



Description:	457 ID x 610 H Riser T&G	
	18"ID x 24"H Riser T&G #290	
Project:		

Drawn :	Date :
A.M	07/23/2015
Approved :	Load Rating:
V.W.	N/A
Rev. No.	Scale :
A	As Shown

Catalog No.	1824R
Dwg. No.	18-03
Sheet No.	1 OF 1