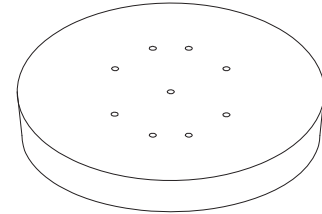
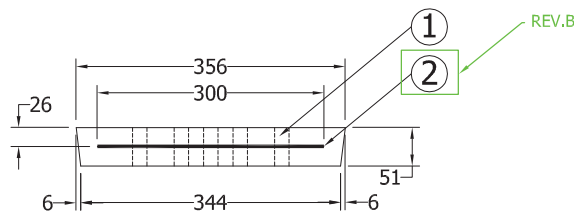


PLAN VIEW
SCALE 1:10



3D VIEW



SECTION A-A
SCALE 1:10

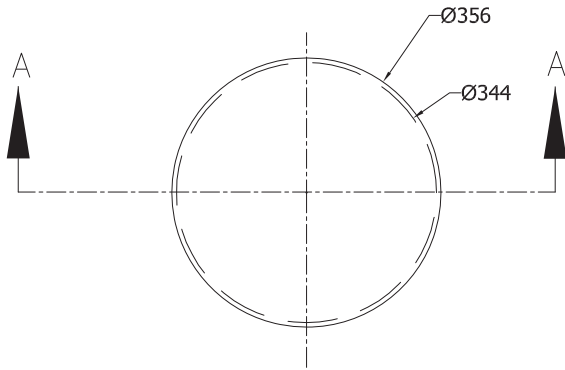
Specification and General Notes:

1. Manhole design/manufacture to ASTM C478M Specification.
2. Concrete testing to current version of ASTM C497/CSA 23.1&2.
3. Min. concrete compressive strength 30 MPa with Max. W/C ratio of 0.5
4. Gasket to ASTM C-443 specification (by others).
5. Concrete cover to be Min.25mm.
6. All dimensions to be millimeter.
7. Welded wire mesh overlap to be 300mm.
8. Manhole design and construction to MMCD manhole specification section 02725.
9. Manufacturing tolerance to be +/- 5mm.
10. Concrete Exposure Class to be A-3
11. Min. Stripping Strength to be 15MPa
12. All Form Finish to be Standard Grade
13. All Unformed Finish to be Steel Trowelled Finish or Wood Float Finish
14. Lifting cable and accessories to meet the strength requirement in lifting detail
15. Hoisting and Rigging system to meet WORK SAFE BC OHS Regulation Guideline Part 14/15

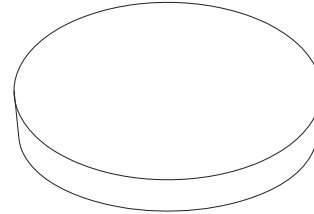


Description:	356mm OD Concrete Lid Perforated	
	12" ID Concrete Pref. Lid; Tapered #26	
Project:		

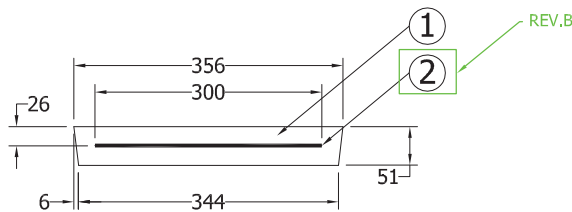
Drawn : D.L.	Date : 09/08/2016	Catalog No. N12CLP
Approved : V.W.	Load Rating: N/A	
Rev. No. B	Scale : As Shown	Dwg. No. 12-04



PLAN VIEW
SCALE 1:10



3D VIEW



SECTION A-A
SCALE 1:10

Specification and General Notes:

1. Manhole design/manufacture to ASTM C478M Specification.
2. Concrete testing to current version of ASTM C497/CSA 23.1&2.
3. Min. concrete compressive strength 30 MPa with Max. W/C ratio of 0.5
4. Gasket to ASTM C-443 specification (by others).
5. Concrete cover to be Min.25mm.
6. All dimensions to be millimeter.
7. Welded wire mesh overlap to be 300mm.
8. Manhole design and construction to MMCD manhole specification section 02725.
9. Manufacturing tolerance to be +/- 5mm.
10. Concrete Exposure Class to be A-3
11. Min. Stripping Strength to be 15MPa
12. All Form Finish to be Standard Grade
13. All Unformed Finish to be Steel Trowelled Finish or Wood Float Finish
14. Lifting cable and accessories to meet the strength requirement in lifting detail
15. Hoisting and Rigging system to meet WORK SAFE BC OHS Regulation Guideline Part 14/15



Description:

356mm OD Concrete Lid Solid

12" ID Concrete Solid Lid #26

Project:

Drawn :

D.L

Date :

09/08/2016

Catalog No.

N12CLS

Approved :

V.W.

Load Rating:

N/A

Dwg. No.

12-05

Rev. No.

B

Scale :

As Shown

Sheet No.

1 OF 1