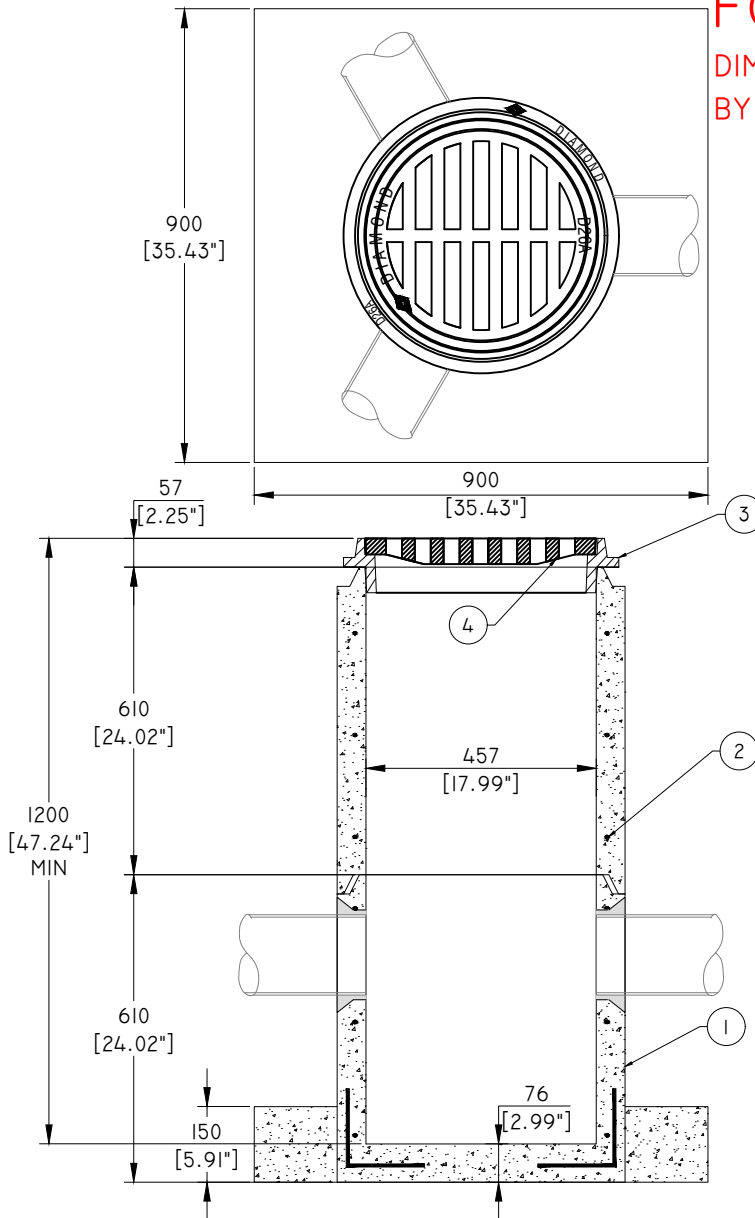


**FOR EXAMPLE ONLY**  
 DIMENSIONS TO BE SPECIFIED  
 BY PROJECT ENGINEER



**Specification and General Notes:**

1. Drawing to illustrate use of Diamond Precast Products in City of Richmond applications. City of Richmond SUPPLEMENTARY SPECIFICATIONS AND DETAIL DRAWINGS and Project Specifications supercede these drawings.
2. All components MMCD PLATINUM (Section 33 44 01) compliant and fabricated to CSA CERTIFICATE OF COMPLIANCE (ASTM C478M)
3. All jurisdiction-specific components SUPPLEMENTAL to MMCD PLATINUM fabricated in accordance with CSA CERTIFICATE OF QUALIFICATION (CSA A23.4-09).
4. Components certified to CSA standards (ASTM C478M & CSA A23.4-09) by approved independent third party certification body accredited by Standards Council of Canada.
5. All components marked with certification body logo and CSA standard markings.
6. Testing to ASTM C497/CSA 23.1 & 2-09.
7. 30 MPa MIN compressive strength (MAX 0.5 W/C ratio).
8. Pipe connections to be Predl Bell and Gasket
9. 25mm MIN concrete cover of reinforcing steel.
10. 5mm manufacturing tolerance.
11. A-3 concrete exposure class.
12. 15MPa MIN stripping strength.
13. Standard grade form finish.
14. Unformed steel trowel or wood float finish.
15. 3 point rigging to meet WORK SAFE BC OHS (Guideline 14/15) requirement
16. Field installation and testing by others.

**BILL OF MATERIALS**

ITEM	DESCRIPTION	MASS KG	QUANTITY
1	I824S w/ EXT18	467	1
2	I824R	84	1
3	D26A-FRAME	28	1
4	D26A-GRATE	25	1



**Description:**  
**Inspection Chamber Type 2**

ST - 8 - SD

**Jurisdiction:** City of Richmond

Drawn : S.d.  
 Date : 20/09/2016  
 Approved :  
 Load Rating: N/A  
 Rev. No.  
 Scale : 1:16

**Catalog No.**

**Dwg. No.**  
**CoRich-3**

**7520 Conrad Street Burnaby, B.C. V5A 2H7 Phone : 604-415-5181 Fax : 604-415-5185**  
**www: diamondconcrete.ca**

This drawing is the property of the Diamond Precast Concrete. All information contained herein is confidential and may not be used in whole or in part without written permission from the owner

Sheet No.  
 1 OF 1