

Specification and General Notes:

1. All components MMCD PLATINUM (Section 33 44 01) compliant and fabricated to CSA CERTIFICATE OF COMPLIANCE (ASTM C478M)
2. All jurisdiction-specific components SUPPLEMENTAL to MMCD PLATINUM fabricated in accordance with CSA CERTIFICATE OF QUALIFICATION (CSA A23.4-09).
3. Components certified to CSA standards (ASTM C478M & CSA A23.4-09) by approved independent third party certification body accredited by Standards Council of Canada.
4. All components marked with certification body logo and CSA standard markings.
5. Testing to ASTM C497/CSA 23.1 & 2-09.
6. 30 MPa MIN compressive strength (MAX 0.5 W/C ratio). 15MPa MIN stripping strength.
7. Pipe connections to be grouted.
8. 25mm MIN concrete cover of reinforcing steel.
9. 5mm manufacturing tolerance.
10. A-3 concrete exposure class.
11. Standard grade form finish.
12. Unformed steel trowel or wood float finish.
13. 3 point rigging to meet WORK SAFE BC OHS (Guideline 14/15) requirement
14. Field installation and testing by others.
15. Castings conform to ASTM A48 Class 25 Grey Iron specifications. Frame and Cover designed to withstand H20 loading.
16. Drawing to illustrate use of Diamond Precast Products in City of Maple Ridge applications. City of Port Moody Subdivision and Development Servicing Bylaw (No. 2831) and Project Specifications supercede these drawings.

BILL OF MATERIALS

ITEM	DESCRIPTION	MASS KG	QUANTITY
1	3648CBS	897	1
2	36DLCGM	213	1
3	MHRSI-2	59	1-3
4	D24D OR D24F	59	1
5	D23 - GRATE	54	1
6	D39B	90	1



Description:

Typical Catch Basin for Use at Low Points
SD-3

Jurisdiction: City of Port Moody

Drawn :

S.d.

Date :

20/12/2016

Catalog No.

Approved :

Load Rating:

H20

Dwg. No.

CoPM-1

Rev. No.

Scale :

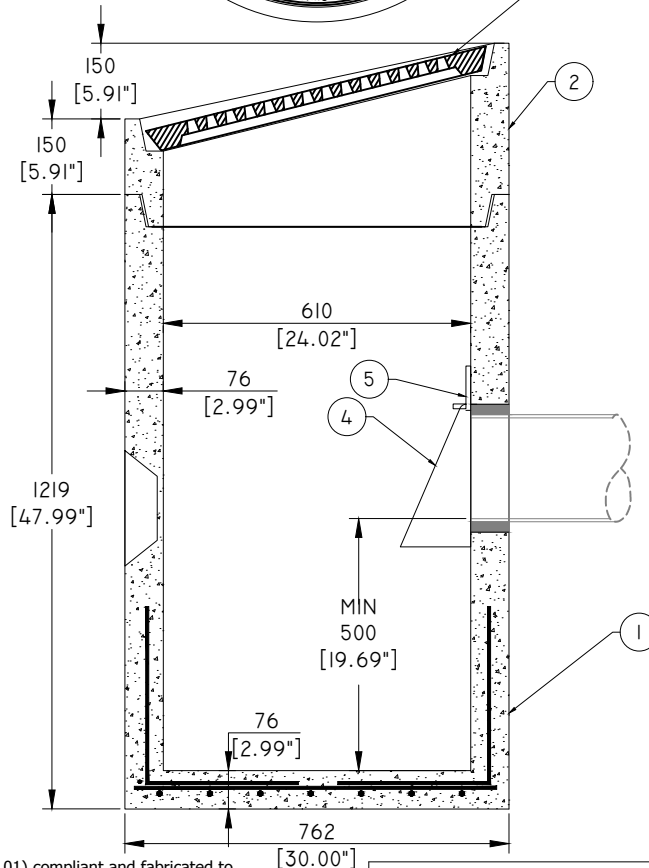
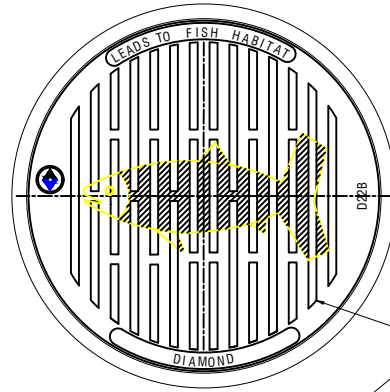
1:20

Sheet No.

1 OF 1

7520 Conrad Street Burnaby, B.C. V5A 2H7 Phone : 604-415-5181 Fax : 604-415-5185
www: diamondprecast.com

This drawing is the property of the Diamond Precast Concrete. All information contained herein is confidential and may not be used in whole or in part without written permission from the owner



Specification and General Notes:

1. All components MMCD PLATINUM (Section 33 44 01) compliant and fabricated to CSA CERTIFICATE OF COMPLIANCE (ASTM C478M)
2. All jurisdiction-specific components SUPPLEMENTAL to MMCD PLATINUM fabricated in accordance with CSA CERTIFICATE OF QUALIFICATION (CSA A23.4-09).
3. Components certified to CSA standards (ASTM C478M & CSA A23.4-09) by approved independent third party certification body accredited by Standards Council of Canada.
4. All components marked with certification body logo and CSA standard markings.
5. Testing to ASTM C497/CSA 23.1 & 2-09.
6. 30 MPa MIN compressive strength (MAX 0.5 W/C ratio). 15MPa MIN stripping strength.
7. Pipe connections to be grouted.
8. 25mm MIN concrete cover of reinforcing steel.
9. 5mm manufacturing tolerance.
10. A-3 concrete exposure class.
11. Standard grade form finish.
12. Unformed steel trowel or wood float finish.
13. 3 point rigging to meet WORK SAFE BC OHS (Guideline 14/15) requirement
14. Field installation and testing by others.
15. Castings conform to ASTM A48 Class 25 Grey Iron specifications. Frame and Cover designed to withstand H2O loading.
16. Drawing to illustrate use of Diamond Precast Products in City of Maple Ridge applications. City of Port Moody Subdivision and Development Servicing Bylaw (No. 2831) and Project Specifications supercede these drawings.

BILL OF MATERIALS

ITEM	DESCRIPTION	MASS KG	QUANTITY
1	2448CBS	520	1
2	2412R-SLOPED	112	1
3	D22B-GRATE	48	1
4	D-TRAPHOOD	10	1
5	TRHDP	<1	2



Description:

Typical Catchbasin for Swales

SD-5

Jurisdiction: City of Port Moody

Drawn :

S.d.

Approved :

Rev. No.

Date :

20/12/2016

Load Rating:

N/A

Scale :

1:15

Catalog No.

Dwg. No.

CoPM-2

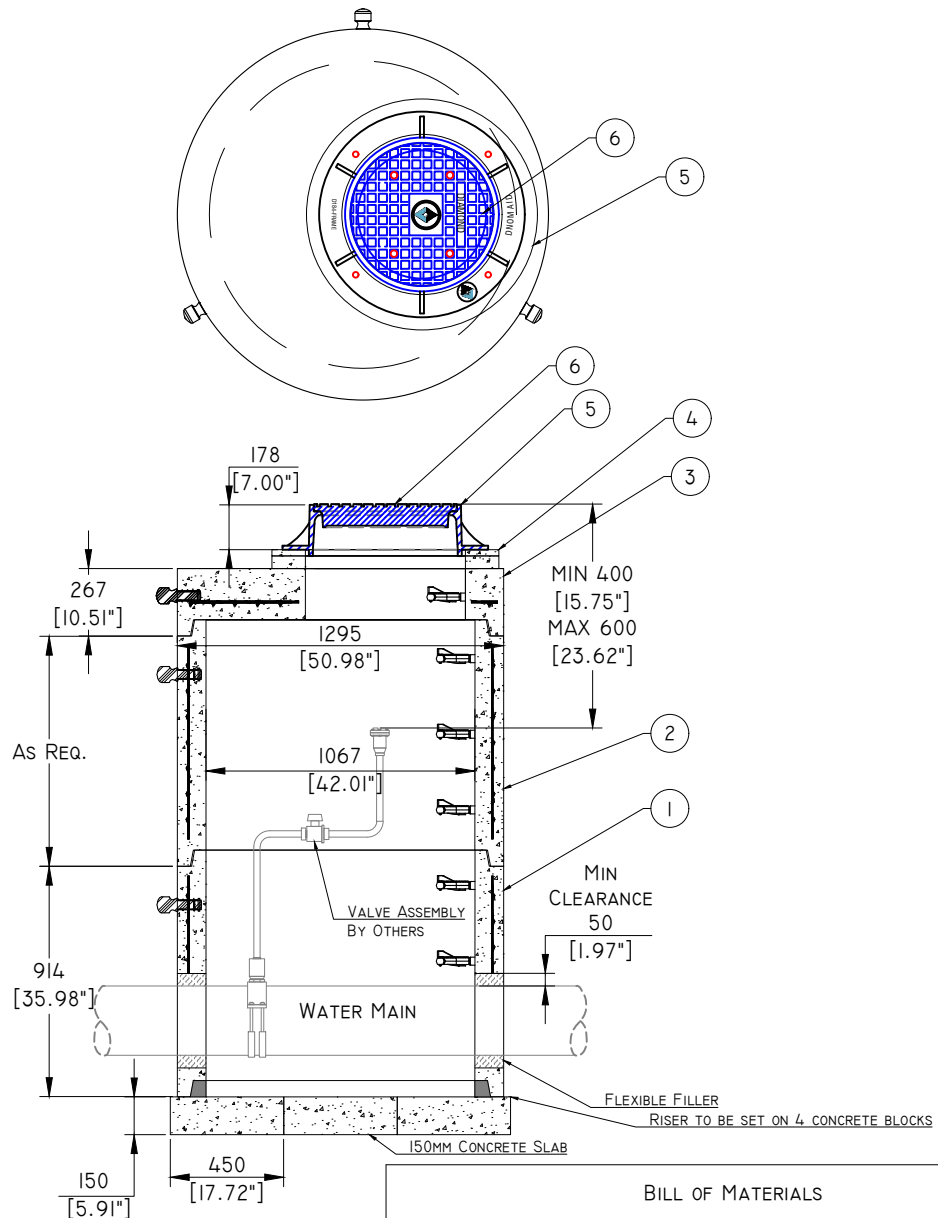
Sheet No.

1 OF 1

7520 Conrad Street Burnaby, B.C. V5A 2H7 Phone : 604-415-5181 Fax : 604-415-5185

www: diamondprecast.com


This drawing is the property of the Diamond Precast Concrete. All information contained herein is confidential and may not be used in whole or in part without written permission from the owner



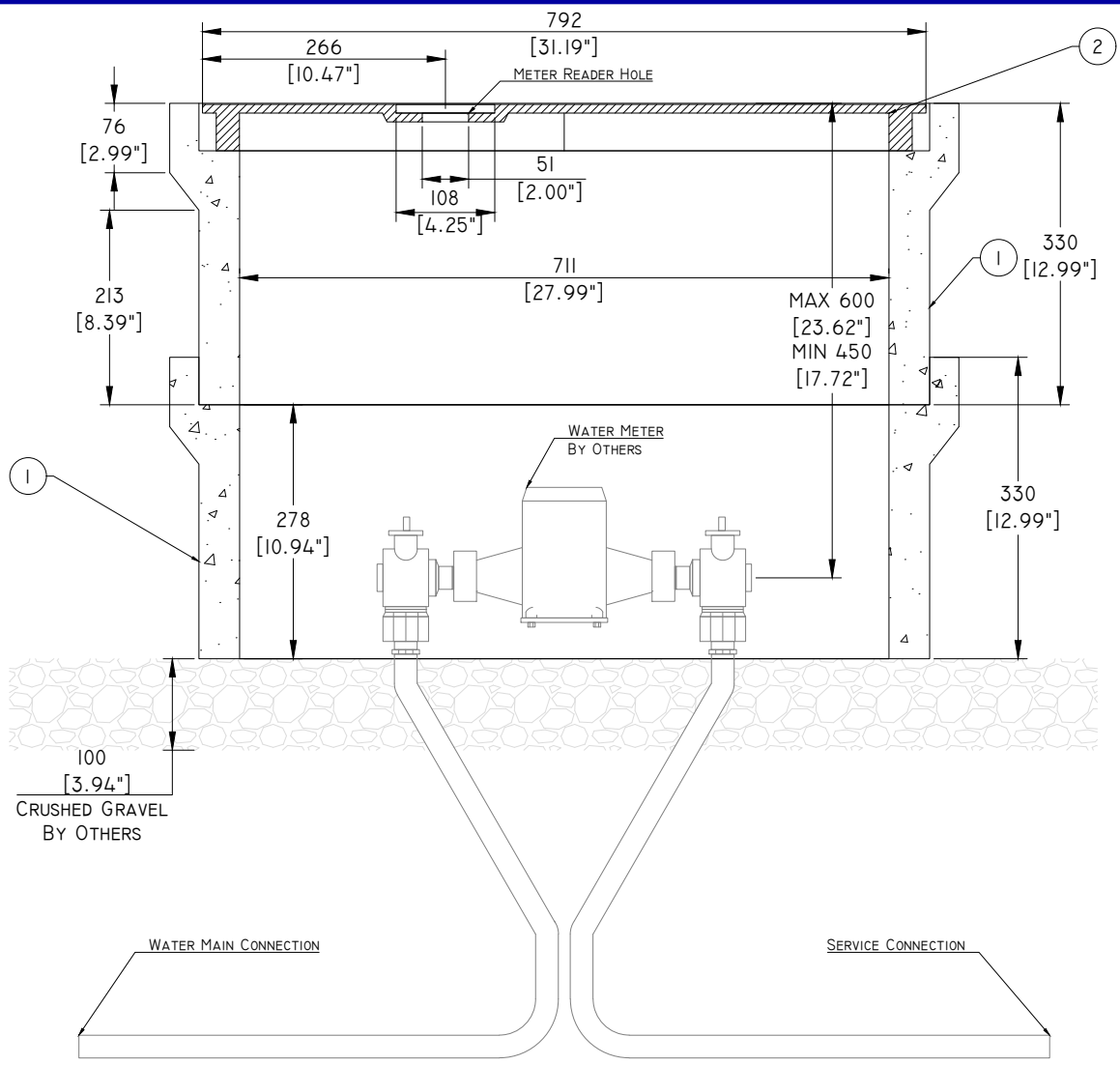
Specification and General Notes:

1. All components MMCD PLATINUM (Section 33 44 01) compliant and fabricated to CSA CERTIFICATE OF COMPLIANCE (ASTM C478M)
2. All jurisdiction-specific components SUPPLEMENTAL to MMCD PLATINUM fabricated in accordance with CSA CERTIFICATE OF QUALIFICATION (CSA A23.4-09).
3. Components certified to CSA standards (ASTM C478M & CSA A23.4-09) by approved independent third party certification body accredited by Standards Council of Canada.
4. All components marked with certification body logo and CSA standard markings.
5. Testing to ASTM C497/CSA 23.1 & 2-09.
6. 30 MPa MIN compressive strength (MAX 0.5 W/C ratio). 15MPa MIN stripping strength.
7. 25mm MIN concrete cover of reinforcing steel.
8. 5mm manufacturing tolerance.
9. A-3 concrete exposure class.
10. Standard grade form finish.
11. Unformed steel trowel or wood float finish.
12. 3 point rigging to meet WORK SAFE BC OHS (Guideline 14/15) requirement
13. Field installation and testing by others.
14. Castings conform to ASTM A48 Class 25 Grey Iron specifications. Frame and Cover designed to withstand H2O loading.
15. Drawing to illustrate use of Diamond Precast Products in City of Maple Ridge applications. City of Port Moody Subdivision and Development Servicing Bylaw (No. 2831) and Project Specifications supercede these drawings.

BILL OF MATERIALS			
ITEM	DESCRIPTION	MASS KG	QUANTITY
1	4236R	520	1
2	RISERS		AS REQ
3	4210DL	469	1
4	MHR		AS REQ
5	DI87-FRAME	78	1
6	DI8-WATER	59	1

	Description: Typical Air Valve WD-1	Drawn : S.d. Date : 20/12/2016	Catalog No.
	Jurisdiction: City of Port Moody	Approved : Load Rating: H20	Dwg. No. CoPM-3
	7520 Conrad Street Burnaby, B.C. V5A 2H7 Phone : 604-415-5181 Fax : 604-415-5185 www.diamondprecast.com	Rev. No. Scale : 1:30	Sheet No. 1 OF 1


This drawing is the property of the Diamond Precast Concrete. All information contained herein is confidential and may not be used in whole or in part without written permission from the owner



Specification and General Notes:

1. All components MMCD PLATINUM (Section 33 44 01) compliant and fabricated to CSA CERTIFICATE OF COMPLIANCE (ASTM C478M)
2. All jurisdiction-specific components SUPPLEMENTAL to MMCD PLATINUM fabricated in accordance with CSA CERTIFICATE OF QUALIFICATION (CSA A23.4-09).
3. Components certified to CSA standards (ASTM C478M & CSA A23.4-09) by approved independent third party certification body accredited by Standards Council of Canada.
4. All components marked with certification body logo and CSA standard markings.
5. Testing to ASTM C497/CSA 23.1 & 2-09.
6. 30 MPa MIN compressive strength (MAX 0.5 W/C ratio). 15MPa MIN stripping strength.
7. 25mm MIN concrete cover of reinforcing steel.
8. 5mm manufacturing tolerance.
9. A-3 concrete exposure class.
10. Standard grade form finish.
11. Unformed steel trowel or wood float finish.
12. 3 point rigging to meet WORK SAFE BC OHS (Guideline 14/15) requirement
13. Field installation and testing by others.
14. Castings conform to ASTM A48 Class 25 Grey Iron specifications. Frame and Cover designed to withstand H20 loading.
15. Drawing to illustrate use of Diamond Precast Products in City of Maple Ridge applications. City of Port Moody Subdivision and Development Servicing Bylaw (No. 2831) and Project Specifications supercede these drawings.

BILL OF MATERIALS			
ITEM	DESCRIPTION	MASS KG	QUANTITY
1	DMB6613	78	AS REQ
2	D66-HOLE	39	1

	Description: Typical Air Valve WD-I	Drawn : S.d. Date : 20/12/2016	Catalog No.
	Jurisdiction: City of Port Moody	Approved : Load Rating: N/A	Dwg. No. CoPM-4
	7520 Conrad Street Burnaby, B.C. V5A 2H7 Phone : 604-415-5181 Fax : 604-415-5185 www.diamondprecast.com	Rev. No. 1:8 Scale : 1:8	Sheet No. 1 OF 1

This drawing is the property of the Diamond Precast Concrete. All information contained herein is confidential and may not be used in whole or in part without written permission from the owner