

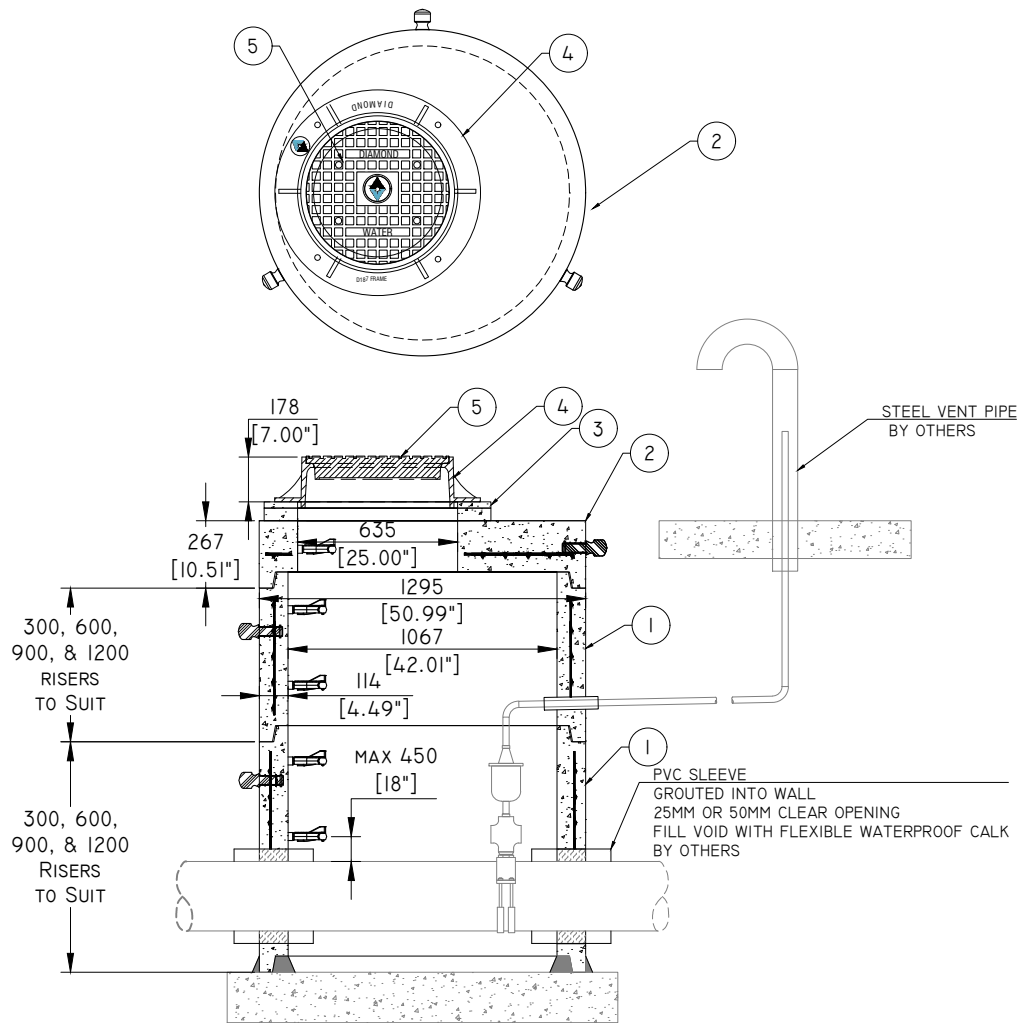
- Specification and General Notes:**
1. All components MMCD PLATINUM (Section 33 44 01) compliant and fabricated to CSA CERTIFICATE OF COMPLIANCE (ASTM C478M)
 2. All jurisdiction-specific components SUPPLEMENTAL to MMCD PLATINUM fabricated in accordance with CSA CERTIFICATE OF QUALIFICATION (CSA A23.4-09).
 3. Components certified to CSA standards (ASTM C478M & CSA A23.4-09) by approved independent third party certification body accredited by Standards Council of Canada.
 4. All components marked with certification body logo and CSA standard markings.
 5. Testing to ASTM C497/CSA 23.1 & 2-09.
 6. 30 MPa MIN compressive strength (MAX 0.5 W/C ratio). 15MPa MIN stripping strength.
 7. Pipe connections to be grouted.
 8. 25mm MIN concrete cover of reinforcing steel.
 9. 5mm manufacturing tolerance.
 10. A-3 concrete exposure class.
 11. Standard grade form finish.
 12. Unformed steel trowel or wood float finish.
 13. 3 point rigging to meet WORK SAFE BC OHS (Guideline 14/15) requirement
 14. Field installation and testing by others.
 15. Castings conform to ASTM A48 Class 25 Grey Iron specifications. Frame and Cover designed to withstand H20 loading.
 16. Drawing to illustrate use of Diamond Precast Products in District of North Vancouver applications. The District of North Vancouver Bylaw NO. 7388 and Project Specifications supercede these drawings.

BILL OF MATERIALS			
ITEM	DESCRIPTION	MASS KG	QUANTITY
1	3648CBS	897	1
2	36DLSIM	152	1
3	MHRSI-2	59	1-3
4	D24D - FRAME	59	1
5	D23-GRATE	54	1
6	D39B	90	1

	Description: Side Inlet Catch Basin	Drawn : S.d.	Date : 01/02/2017	Catalog No.
	SSD-D.1	Approved :	Load Rating: H20	
	Jurisdiction: District of North Vancouver	Rev. No.	Scale : 1:20	Sheet No. 1 OF 1

7520 Conrad Street Burnaby, B.C. V5A 2H7 Phone : 604-415-5181 Fax : 604-415-5185
 www: diamondprecast.com

This drawing is the property of the Diamond Precast Concrete. All information contained herein is confidential and may not be used in whole or in part without written permission from the owner



Specification and General Notes:

1. All components MMCD PLATINUM (Section 33 44 01) compliant and fabricated to CSA CERTIFICATE OF COMPLIANCE (ASTM C478M)
2. All jurisdiction-specific components SUPPLEMENTAL to MMCD PLATINUM fabricated in accordance with CSA CERTIFICATE OF QUALIFICATION (CSA A23.4-09).
3. Components certified to CSA standards (ASTM C478M & CSA A23.4-09) by approved independent third party certification body accredited by Standards Council of Canada.
4. All components marked with certification body logo and CSA standard markings.
5. Testing to ASTM C497/CSA 23.1 & 2-09.
6. 30 MPa MIN compressive strength (MAX 0.5 W/C ratio). 15MPa MIN stripping strength.
7. 25mm MIN concrete cover of reinforcing steel.
8. 5mm manufacturing tolerance.
9. A-3 concrete exposure class.
10. Standard grade form finish.
11. Unformed steel trowel or wood float finish.
12. 3 point rigging to meet WORK SAFE BC OHS (Guideline 14/15) requirement
13. Field installation and testing by others.
14. Castings conform to ASTM A48 Class 25 Grey Iron specifications. Frame and Cover designed to withstand H2O loading.
15. Drawing to illustrate use of Diamond Precast Products in District of North Vancouver applications. The District of North Vancouver Bylaw NO. 7388 and Project Specifications supercede these drawings.

BILL OF MATERIALS

ITEM	DESCRIPTION	MASS KG	QUANTITY
1	42" RISER		AS REQ.
2	4210DL	469	1
3	MHR	59	1-3
4	D187-FRAME	78	1
5	D18-SANITARY	59	1



Description:

Air, Vacuum Valve Chamber

SSD-W.II

Jurisdiction: District of North Vancouver

Drawn :

S.d.

Date :

01/02/2017

Catalog No.

Approved :

Load Rating:

H20

Dwg. No.

Rev. No.

Scale :

1:30

DNV-2

7520 Conrad Street

Burnaby, B.C. V5A 2H7

Phone : 604-415-5181

Fax : 604-415-5185

www: diamondprecast.com

This drawing is the property of the Diamond Precast Concrete. All information contained herein is confidential and may not be used in whole or in part without written permission from the owner

Sheet No.

1 OF 1