

2 - PIECE MANHOLE BASE

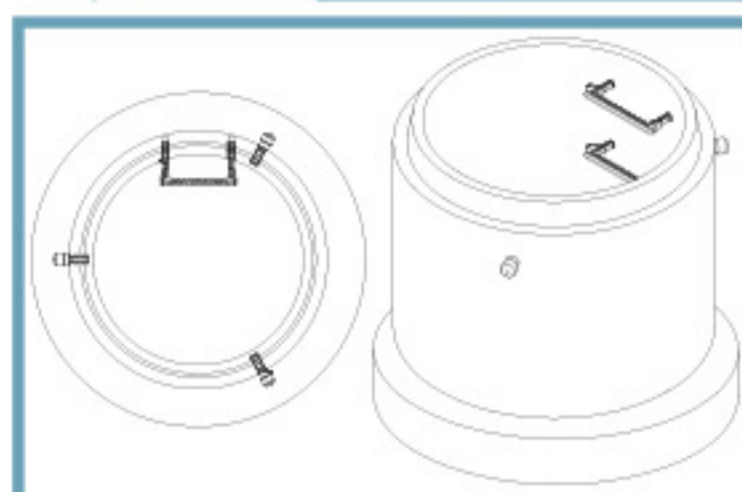
Lightweight Components Designed for Easy Installation

Project: Watercourse Crossing - Bates Road [Richmond, BC]

Contractor: Encivil [Richmond, BC] Owner: City of Richmond [Richmond, BC]



DIAMOND EXTENDED BASE - ROUND



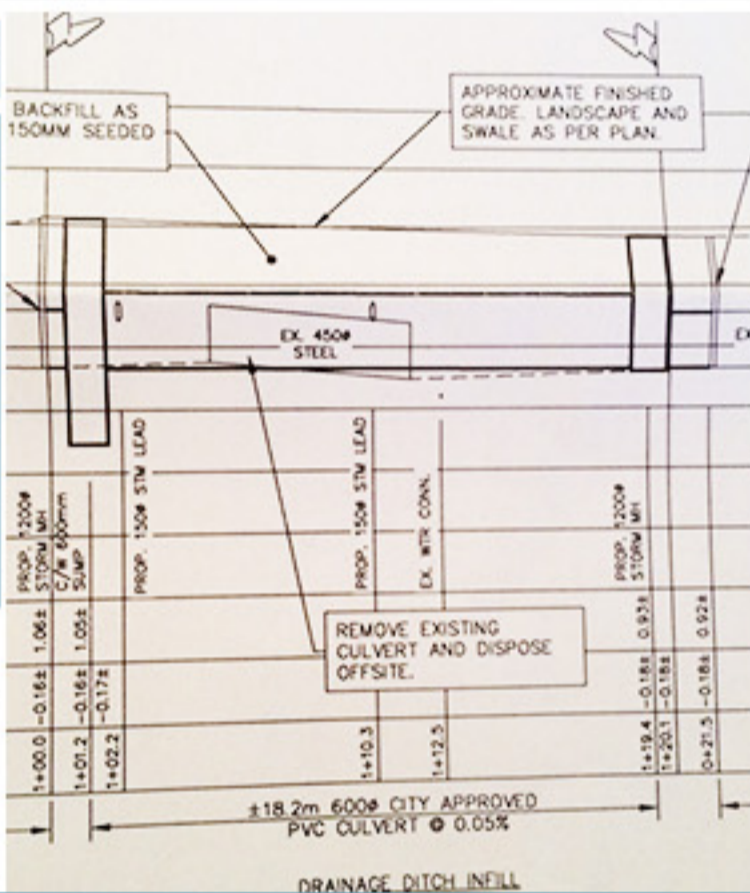
Drawing Attached: Yes No

Sheet #: _____

Order Date: _____

Delivery Requested Date: _____

Method/Company of Shipping: _____



[Click to enlarge](#)



COMPLETE CAPABILITIES

PREDL systems
 THE MANHOLE LINER EXPERTS

COMPLETE CAPABILITIES

DIAMOND + **CSA** = **MMCD PLATINUM**

WEBSITE

diamondprecast.com

OPT-IN

Weekly Newsletters