
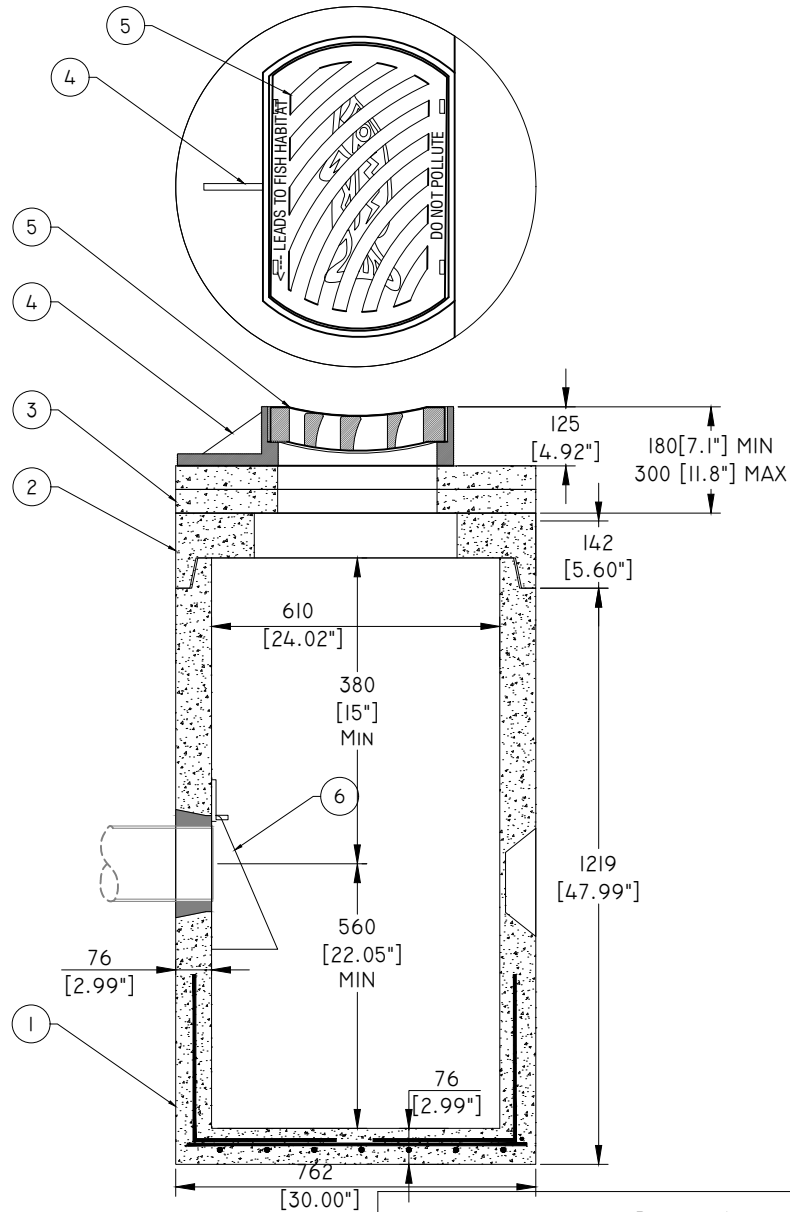


Specification and General Notes:

1. For use only at end of line in an easement of depth 1.2m or less
2. All components MMCD PLATINUM (Section 33 44 01) compliant and fabricated to CSA CERTIFICATE OF COMPLIANCE (ASTM C478M)
3. All jurisdiction-specific components SUPPLEMENTAL to MMCD PLATINUM fabricated in accordance with CSA CERTIFICATE OF QUALIFICATION (CSA A23.4-09).
4. Components certified to CSA standards (ASTM C478M & CSA A23.4-09) by approved independent third party certification body accredited by Standards Council of Canada.
5. All components marked with certification body logo and CSA standard markings.
6. Testing to ASTM C497/CSA 23.1 & 2-09.
7. 30 MPa MIN compressive strength (MAX 0.5 W/C ratio). 15MPa MIN stripping strength.
8. Pipe connections to be Predl Bell and Gasket
9. 25mm MIN concrete cover of reinforcing steel.
10. 5mm manufacturing tolerance.
11. A-3 concrete exposure class.
12. Standard grade form finish.
13. Unformed steel trowel or wood float finish.
14. 3 point rigging to meet WORK SAFE BC OHS (Guideline 14/15) requirement
15. Field installation and testing by others.
16. Castings conform to ASTM A48 Class 25 Grey Iron specifications. Frame and Cover designed to withstand H2O loading.
17. Drawing to illustrate use of Diamond Precast Products in City of Maple Ridge applications. City of Maple Ridge Design and Construction Documents and Project Specifications supercede these drawings.

BILL OF MATERIALS			
ITEM	DESCRIPTION	MASS KG	QUANTITY
1	24-PREBENCH W/ EXT24	930	1
2	24DLROF	45	1
3	D187-FRAME	79	1
4	D18-STORM	59	1

	Description: Permanent Cleanout S6A	Drawn : S.d. Date : 20/09/2016	Catalog No.
	Jurisdiction: City of Maple Ridge	Approved : Load Rating: H20	Dwg. No. CoMR-1
7520 Conrad Street Burnaby, B.C. V5A 2H7 Phone : 604-415-5181 Fax : 604-415-5185 www: diamondprecast.com	Rev. No. Scale : 1:15	This drawing is the property of the Diamond Precast Concrete. All information contained herein is confidential and may not be used in whole or in part without written permission from the owner	Sheet No. 1 OF 1



Specification and General Notes:

1. All components MMCD PLATINUM (Section 33 44 01) compliant and fabricated to CSA CERTIFICATE OF COMPLIANCE (ASTM C478M)
2. All jurisdiction-specific components SUPPLEMENTAL to MMCD PLATINUM fabricated in accordance with CSA CERTIFICATE OF QUALIFICATION (CSA A23.4-09).
3. Components certified to CSA standards (ASTM C478M & CSA A23.4-09) by approved independent third party certification body accredited by Standards Council of Canada.
4. All components marked with certification body logo and CSA standard markings.
5. Testing to ASTM C497/CSA 23.1 & 2-09.
6. 30 MPa MIN compressive strength (MAX 0.5 W/C ratio), 15MPa MIN stripping strength.
7. Pipe connections to be grouted
8. 25mm MIN concrete cover of reinforcing steel.
9. 5mm manufacturing tolerance.
10. A-3 concrete exposure class.
11. Standard grade form finish.
12. Unformed steel trowel or wood float finish.
13. 3 point rigging to meet WORK SAFE BC OHS (Guideline 14/15) requirement
14. Field installation and testing by others.
15. Castings conform to ASTM A48 Class 25 Grey Iron specifications. Frame and Cover designed to withstand H20 loading.
16. Drawing to illustrate use of Diamond Precast Products in City of Maple Ridge applications. City of Maple Ridge Design and Construction Documents and Project Specifications supercede these drawings.

BILL OF MATERIALS

ITEM	DESCRIPTION	MASS KG	QUANTITY
1	2448CBTT	520	1
2	24DLCGF	45	1
3	CBDR2	24	As Req.
4	D24D OR D24F	59	1
5	D23 - GRATE	54	1
6	D-TRAPHOOD	10	1



Description:

Top Inlet Catch Basin

SII

Jurisdiction: City of Maple Ridge

Drawn :

S.d.

Approved :

Rev. No.

Date :

20/09/2016

Load Rating:

H20

Scale :

1:16

Catalog No.

Dwg. No.

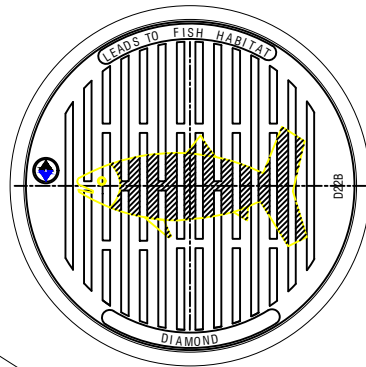
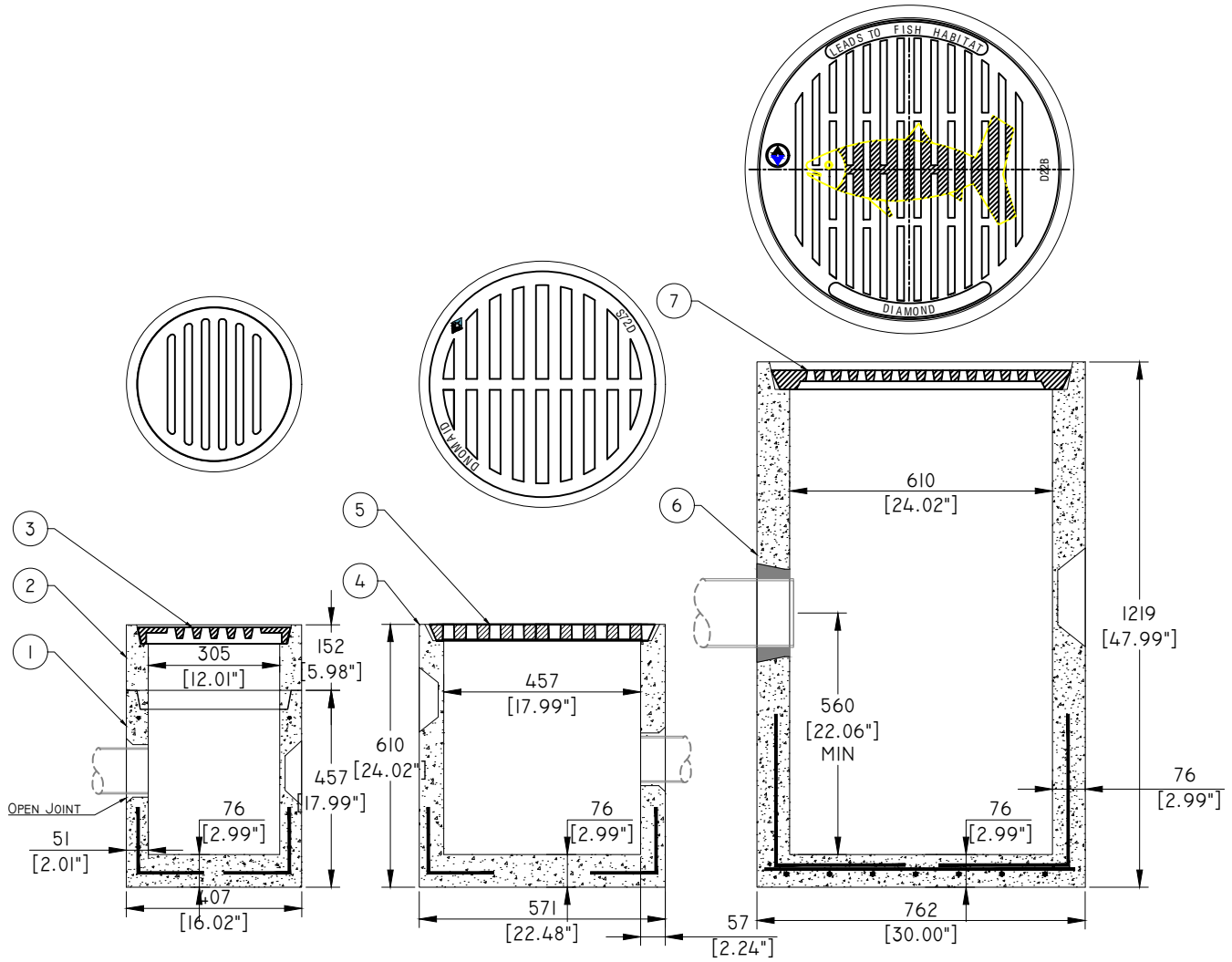
CoMR-2

Sheet No.

1 OF 1

7520 Conrad Street Burnaby, B.C. V5A 2H7 Phone : 604-415-5181 Fax : 604-415-5185
www: diamondprecast.com

This drawing is the property of the Diamond Precast Concrete. All information contained herein is confidential and may not be used in whole or in part without written permission from the owner

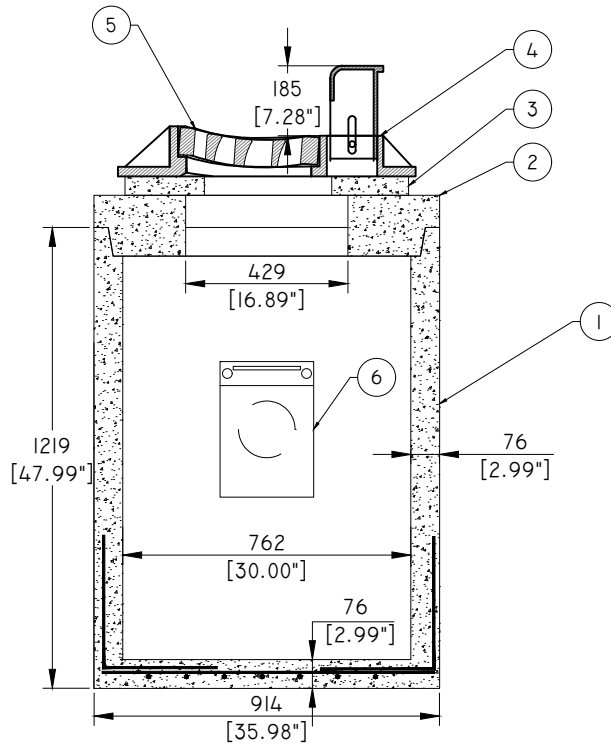
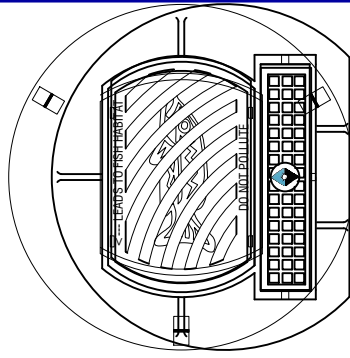


Specification and General Notes:

1. All components MMCD PLATINUM (Section 33 44 01) compliant and fabricated to CSA CERTIFICATE OF COMPLIANCE (ASTM C478M)
2. All jurisdiction-specific components SUPPLEMENTAL to MMCD PLATINUM fabricated in accordance with CSA CERTIFICATE OF QUALIFICATION (CSA A23.4-09).
3. Components certified to CSA standards (ASTM C478M & CSA A23.4-09) by approved independent third party certification body accredited by Standards Council of Canada.
4. All components marked with certification body logo and CSA standard markings.
5. Testing to ASTM C497/CSA 23.1 & 2-09.
6. 30 MPa MIN compressive strength (MAX 0.5 W/C ratio), 15MPa MIN stripping strength.
7. Pipe connections to be grouted unless otherwise noted
8. 25mm MIN concrete cover of reinforcing steel.
9. 5mm manufacturing tolerance.
10. A-3 concrete exposure class.
11. Standard grade form finish.
12. Unformed steel trowel or wood float finish.
13. 3 point rigging to meet WORK SAFE BC OHS (Guideline 14/15) requirement
14. Field installation and testing by others.
15. Castings conform to ASTM A48 Class 25 Grey Iron specifications. Drop in grate for boulevard use only - not H2O rated.
16. Drawing to illustrate use of Diamond Precast Products in City of Maple Ridge applications. City of Maple Ridge Design and Construction Documents and Project Specifications supercede these drawings.

BILL OF MATERIALS			
ITEM	DESCRIPTION	MASS KG	QUANTITY
1	NI218S	83	1
2	NI206R	24	1
3	DNI4-GRATE	24	1
4	I824S	161	1
5	D27-GRATE	31	1
6	2448CBS	520	1
7	D22B-GRATE	48	1


	Description: Lawn Drain and Lawn Basin SI2	Drawn : S.d. Date : 20/09/2016	Catalog No.
	Jurisdiction: City of Maple Ridge	Approved : Load Rating: N/A	Dwg. No. CoMR-3
7520 Conrad Street Burnaby, B.C. V5A 2H7 Phone : 604-415-5181 Fax : 604-415-5185 www: diamondprecast.com	This drawing is the property of the Diamond Precast Concrete. All information contained herein is confidential and may not be used in whole or in part without written permission from the owner	Rev. No. Scale : 1:16	Sheet No. 1 OF 1

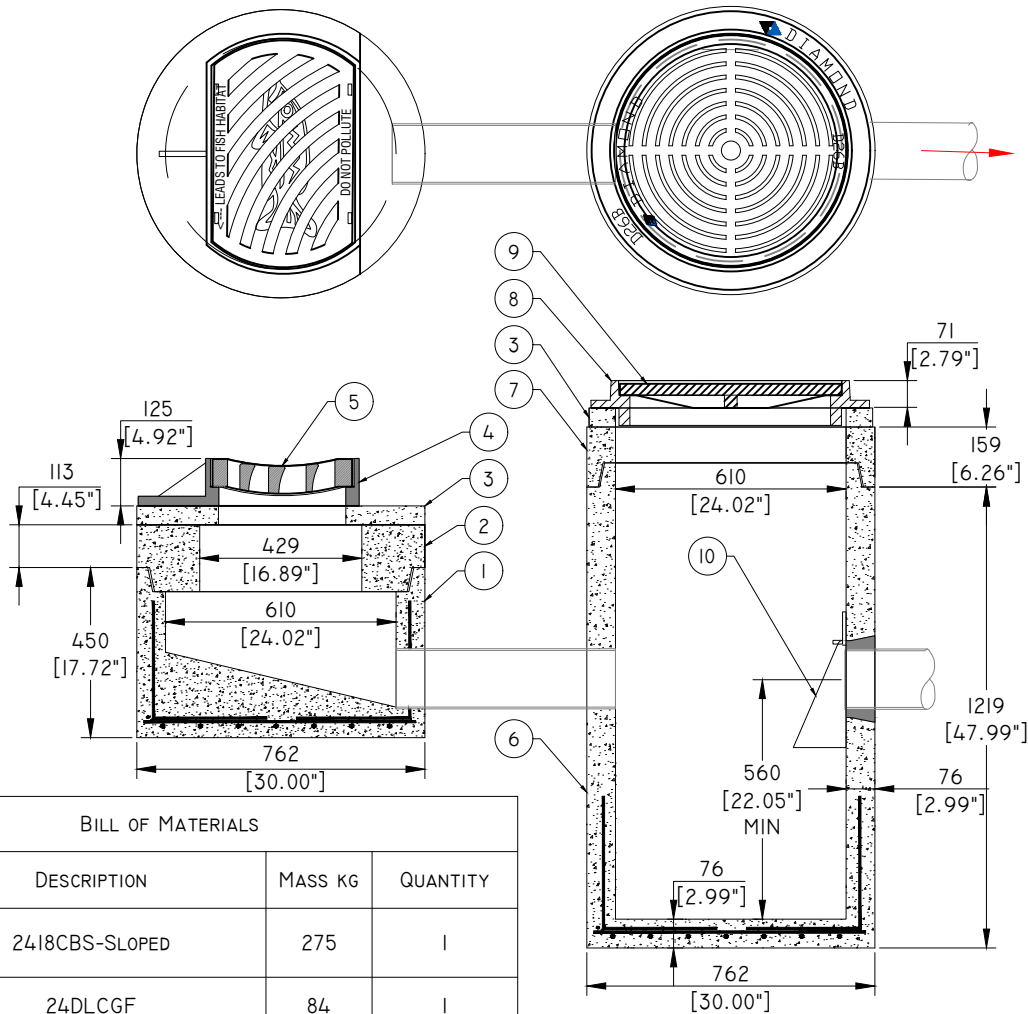


Specification and General Notes:

1. All components MMCD PLATINUM (Section 33 44 01) compliant and fabricated to CSA CERTIFICATE OF COMPLIANCE (ASTM C478M)
2. All jurisdiction-specific components SUPPLEMENTAL to MMCD PLATINUM fabricated in accordance with CSA CERTIFICATE OF QUALIFICATION (CSA A23.4-09).
3. Components certified to CSA standards (ASTM C478M & CSA A23.4-09) by approved independent third party certification body accredited by Standards Council of Canada.
4. All components marked with certification body logo and CSA standard markings.
5. Testing to ASTM C497/CSA 23.1 & 2-09.
6. 30 MPa MIN compressive strength (MAX 0.5 W/C ratio), 15MPa MIN stripping strength.
7. Pipe connections to be grouted unless otherwise noted.
8. 25mm MIN concrete cover of reinforcing steel.
9. 5mm manufacturing tolerance.
10. A-3 concrete exposure class.
11. Standard grade form finish.
12. Unformed steel trowel or wood float finish.
13. 3 point rigging to meet WORK SAFE BC OHS (Guideline 14/15) requirement
14. Field installation and testing by others.
15. Castings conform to ASTM A48 Class 25 Grey Iron specifications. Frame and Cover designed to withstand H20 loading.
16. Drawing to illustrate use of Diamond Precast Products in City of Maple Ridge applications. City of Maple Ridge Design and Construction Documents and Project Specifications supercede these drawings.

BILL OF MATERIALS			
ITEM	DESCRIPTION	MASS KG	QUANTITY
1	3048CBS	705	1
2	30DLCGM	174	1
3	CBDR2	24	As Req.
4	D24A-ADJ F&H	127	1
5	D23 - GRATE	54	1
6	D-TRAPHOOD	10	1

	Description: Side Inlet Catch Basin S100	Drawn : S.d. Date : 20/09/2016	Catalog No.
	Jurisdiction: City of Maple Ridge	Approved : Load Rating: H20	Dwg. No. CoMR-4
7520 Conrad Street Burnaby, B.C. V5A 2H7 Phone : 604-415-5181 Fax : 604-415-5185 www: diamondprecast.com	This drawing is the property of the Diamond Precast Concrete. All information contained herein is confidential and may not be used in whole or in part without written permission from the owner	Sheet No. 1 OF 1	



BILL OF MATERIALS

ITEM	DESCRIPTION	MASS KG	QUANTITY
1	2418CBS-SLOPED	275	1
2	24DLCGF	84	1
3	CBR2	24	As Req
4	D24D - FRAME	59	1
5	D23-GRATE	54	1
6	2448CBTT	520	1
7	24DLROF	50	1
8	D26B-FRAME	35	1
9	D26B-COVER	47	1
10	D-TRAPHOOD	10	1

Specification and General Notes:

1. All components MMCD PLATINUM (Section 33 44 01) compliant and fabricated to CSA CERTIFICATE OF COMPLIANCE (ASTM C478M)
2. All jurisdiction-specific components SUPPLEMENTAL to MMCD PLATINUM fabricated in accordance with CSA CERTIFICATE OF QUALIFICATION (CSA A23.4-09).
3. Components certified to CSA standards (ASTM C478M & CSA A23.4-09) by approved independent third party certification body accredited by Standards Council of Canada.
4. All components marked with certification body logo and CSA standard markings.
5. Testing to ASTM C497/CSA 23.1 & 2-09.
6. 30 MPa MIN compressive strength (MAX 0.5 W/C ratio). 15MPa MIN stripping strength.
7. Pipe connections to be grouted unless otherwise noted
8. 25mm MIN concrete cover of reinforcing steel.
9. 5mm manufacturing tolerance.
10. A-3 concrete exposure class.
11. Standard grade form finish.
12. Unformed steel trowel or wood float finish.
13. 3 point rigging to meet WORK SAFE BC OHS (Guideline 14/15) requirement
14. Field installation and testing by others.
15. Castings conform to ASTM A48 Class 25 Grey Iron specifications. Frame and Cover designed to withstand H20 loading.
16. Drawing to illustrate use of Diamond Precast Products in City of Maple Ridge applications. City of Maple Ridge Design and Construction Documents and Project Specifications supercede these drawings.



Description:

Shallow Catch Basin With Inlet Box

SI02

Jurisdiction: City of Maple Ridge

Drawn :

S.d.

Approved :

Rev. No.

Date :

20/09/2016

Load Rating:

H20

Scale :

1:20

Catalog No.

Dwg. No.

CoMR-5

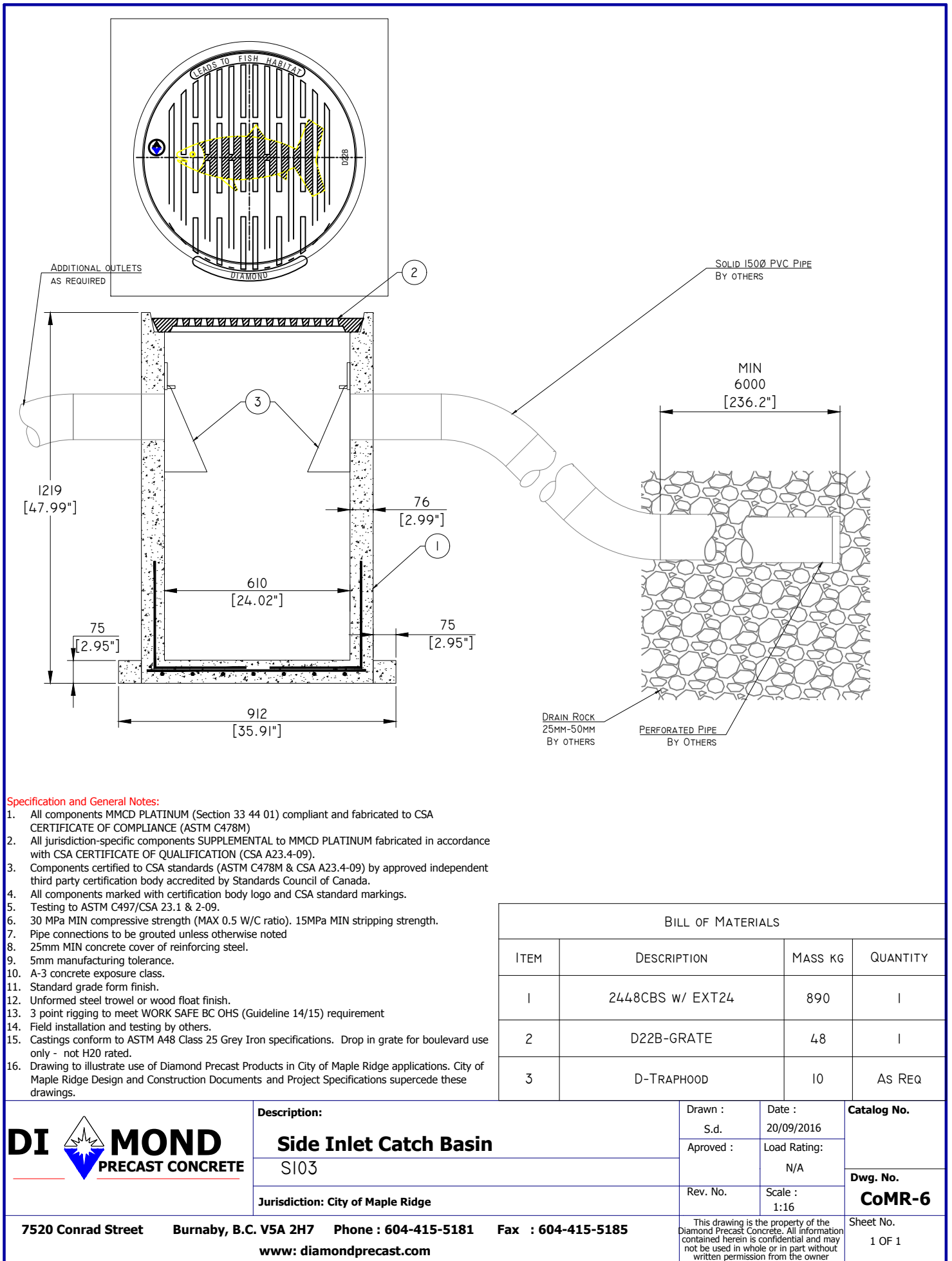
Sheet No.

1 OF 1

7520 Conrad Street Burnaby, B.C. V5A 2H7 Phone : 604-415-5181 Fax : 604-415-5185

www: diamondprecast.com

This drawing is the property of the Diamond Precast Concrete. All information contained herein is confidential and may not be used in whole or in part without written permission from the owner

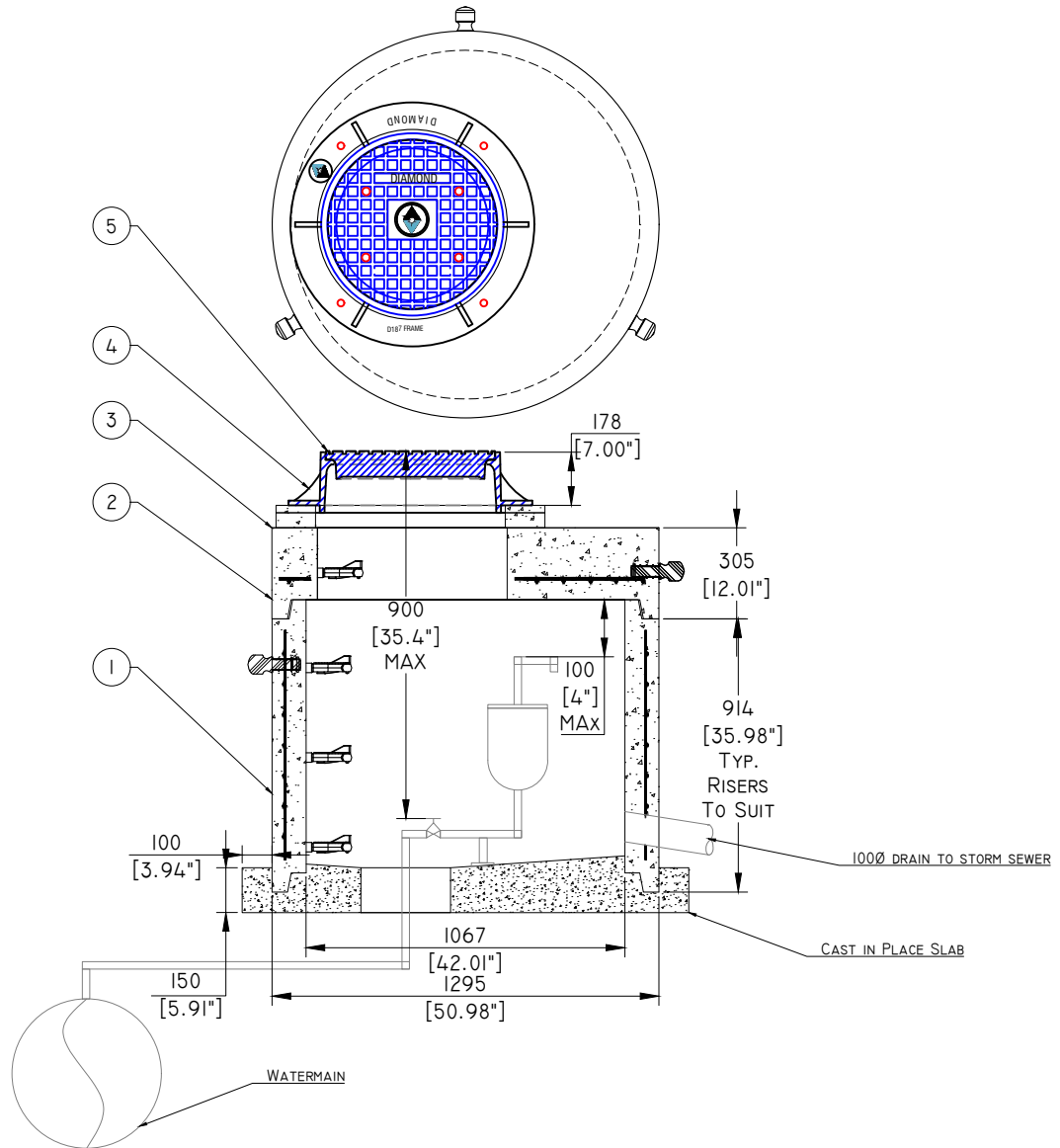


Specification and General Notes:

1. All components MMCD PLATINUM (Section 33 44 01) compliant and fabricated to CSA CERTIFICATE OF COMPLIANCE (ASTM C478M)
2. All jurisdiction-specific components SUPPLEMENTAL to MMCD PLATINUM fabricated in accordance with CSA CERTIFICATE OF QUALIFICATION (CSA A23.4-09).
3. Components certified to CSA standards (ASTM C478M & CSA A23.4-09) by approved independent third party certification body accredited by Standards Council of Canada.
4. All components marked with certification body logo and CSA standard markings.
5. Testing to ASTM C497/CSA 23.1 & 2-09.
6. 30 MPa MIN compressive strength (MAX 0.5 W/C ratio), 15MPa MIN stripping strength.
7. Pipe connections to be grouted unless otherwise noted
8. 25mm MIN concrete cover of reinforcing steel.
9. 5mm manufacturing tolerance.
10. A-3 concrete exposure class.
11. Standard grade form finish.
12. Unformed steel trowel or wood float finish.
13. 3 point rigging to meet WORK SAFE BC OHS (Guideline 14/15) requirement
14. Field installation and testing by others.
15. Castings conform to ASTM A48 Class 25 Grey Iron specifications. Drop in grate for boulevard use only - not H20 rated.
16. Drawing to illustrate use of Diamond Precast Products in City of Maple Ridge applications. City of Maple Ridge Design and Construction Documents and Project Specifications supercede these drawings.

BILL OF MATERIALS			
ITEM	DESCRIPTION	MASS KG	QUANTITY
1	2448CBS w/ EXT24	890	1
2	D22B-GRATE	48	1
3	D-TRAPHOOD	10	AS REQ

	Description: Side Inlet Catch Basin SI03	Drawn : S.d. Date : 20/09/2016	Catalog No.
	Jurisdiction: City of Maple Ridge	Approved : Load Rating: N/A	Dwg. No. CoMR-6
7520 Conrad Street Burnaby, B.C. V5A 2H7 Phone : 604-415-5181 Fax : 604-415-5185 www: diamondprecast.com	This drawing is the property of the Diamond Precast Concrete. All information contained herein is confidential and may not be used in whole or in part without written permission from the owner	Sheet No. 1 OF 1	



Specification and General Notes:

1. All components MMCD PLATINUM (Section 33 44 01) compliant and fabricated to CSA CERTIFICATE OF COMPLIANCE (ASTM C478M)
2. All jurisdiction-specific components SUPPLEMENTAL to MMCD PLATINUM fabricated in accordance with CSA CERTIFICATE OF QUALIFICATION (CSA A23.4-09).
3. Components certified to CSA standards (ASTM C478M & CSA A23.4-09) by approved independent third party certification body accredited by Standards Council of Canada.
4. All components marked with certification body logo and CSA standard markings.
5. Testing to ASTM C497/CSA 23.1 & 2-09.
6. 30 MPa MIN compressive strength (MAX 0.5 W/C ratio), 15MPa MIN stripping strength.
7. Pipe connections to be Predl Bell and Gasket
8. 25mm MIN concrete cover of reinforcing steel.
9. 5mm manufacturing tolerance.
10. A-3 concrete exposure class.
11. Standard grade form finish.
12. Unformed steel trowel or wood float finish.
13. 3 point rigging to meet WORK SAFE BC OHS (Guideline 14/15) requirement
14. Field installation and testing by others.
15. Castings conform to ASTM A48 Class 25 Grey Iron specifications. Drop in grate for boulevard use only - not H20 rated.
16. Drawing to illustrate use of Diamond Precast Products in City of Maple Ridge applications. City of Maple Ridge Design and Construction Documents and Project Specifications supercede these drawings.

BILL OF MATERIALS			
ITEM	DESCRIPTION	MASS KG	QUANTITY
1	4236R	890	AS REQ
2	4210DL	48	1
3	MHR	10	AS REQ
4	DI87-FRAME	79	1
5	DI8-WATER	59	1

	Description: Air and Vacuum Valve Chamber W6	Drawn : S.d. Date : 20/09/2016	Catalog No.
	Jurisdiction: City of Maple Ridge	Approved : Load Rating: H20	Dwg. No. CoMR-7
7520 Conrad Street Burnaby, B.C. V5A 2H7 Phone : 604-415-5181 Fax : 604-415-5185 www: diamondprecast.com	This drawing is the property of the Diamond Precast Concrete. All information contained herein is confidential and may not be used in whole or in part without written permission from the owner	Scale : 1:25	Sheet No. 1 OF 1