

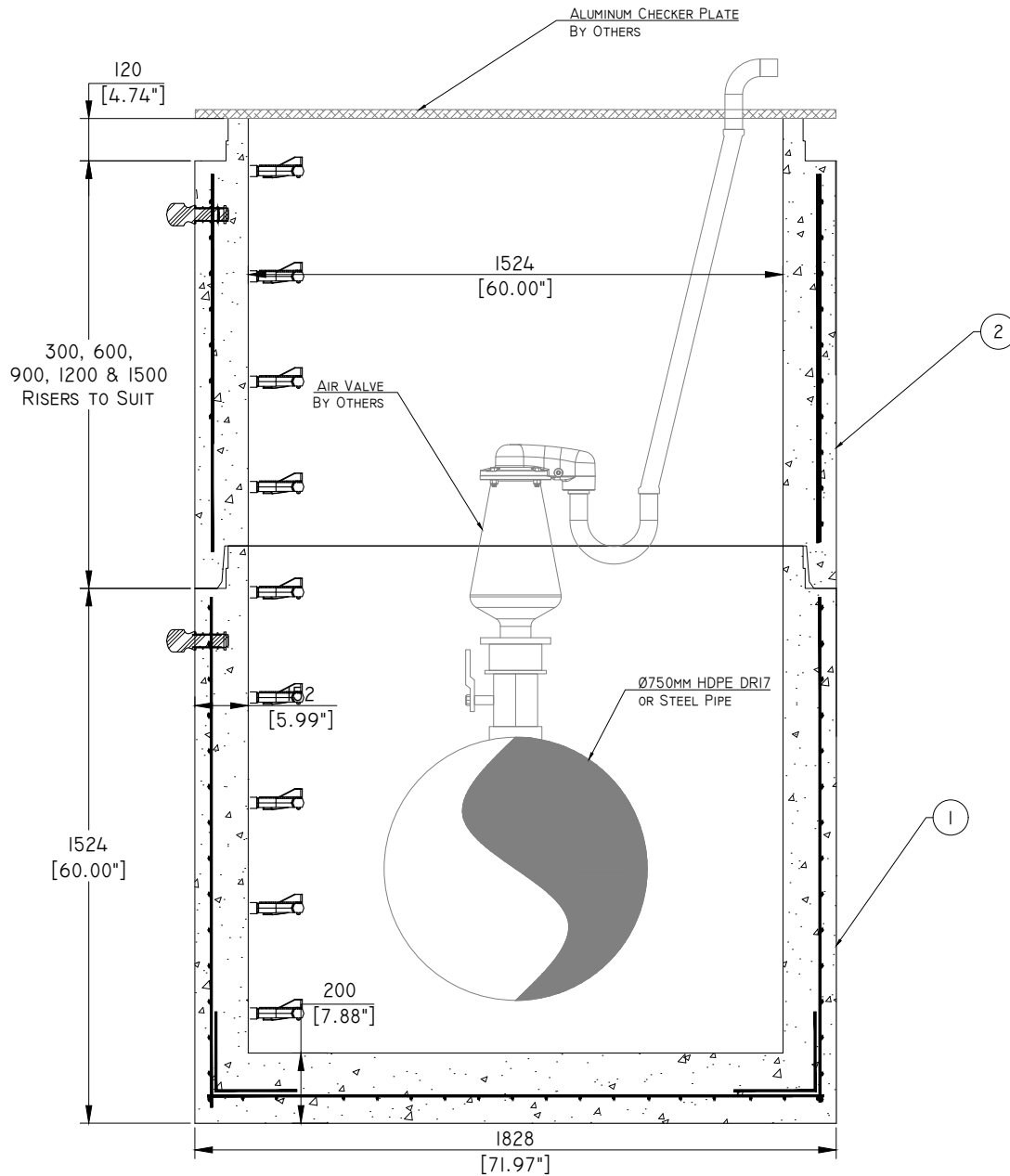
**Specification and General Notes:**

1. All jurisdiction-specific components SUPPLEMENTAL to MMCD PLATINUM fabricated in accordance with CSA CERTIFICATE OF QUALIFICATION (CSA A23.4-09).
2. Components certified to CSA standards (CSA A23.4-09) by approved independent third party certification body accredited by Standards Council of Canada.
3. All components marked with certification body logo and CSA standard markings.
4. Testing to CSA 23.1 & 2-09.
5. 30 MPa MIN compressive strength (MAX 0.5 W/C ratio).
6. Pipe penetrations to be grouted unless otherwise noted
7. 25mm MIN concrete cover of reinforcing steel.
8. 5mm manufacturing tolerance.
9. A-3 concrete exposure class.
10. 15MPa MIN stripping strength.
11. Standard grade form finish.
12. Unformed steel trowel or wood float finish.
13. Field installation and testing by others.

BILL OF MATERIALS			
ITEM	DESCRIPTION	MASS KG	QUANTITY
I	DMB6613	78	2

	<b>Description:</b> <b>Air Release Valve</b> L 4.7	Drawn : S.d. Approved :	Date : 18/01/2017 Load Rating: N/A	<b>Catalog No.</b>
	<b>Jurisdiction: Corporation of Delta</b>	Rev. No.	Scale : 1:16	<b>Dwg. No.</b> <b>Delta-1</b>
	7520 Conrad Street Burnaby, B.C. V5A 2H7 Phone : 604-415-5181 Fax : 604-415-5185 www: diamondprecast.com			Sheet No. 1 OF 1

This drawing is the property of the Diamond Precast Concrete. All information contained herein is confidential and may not be used in whole or in part without written permission from the owner



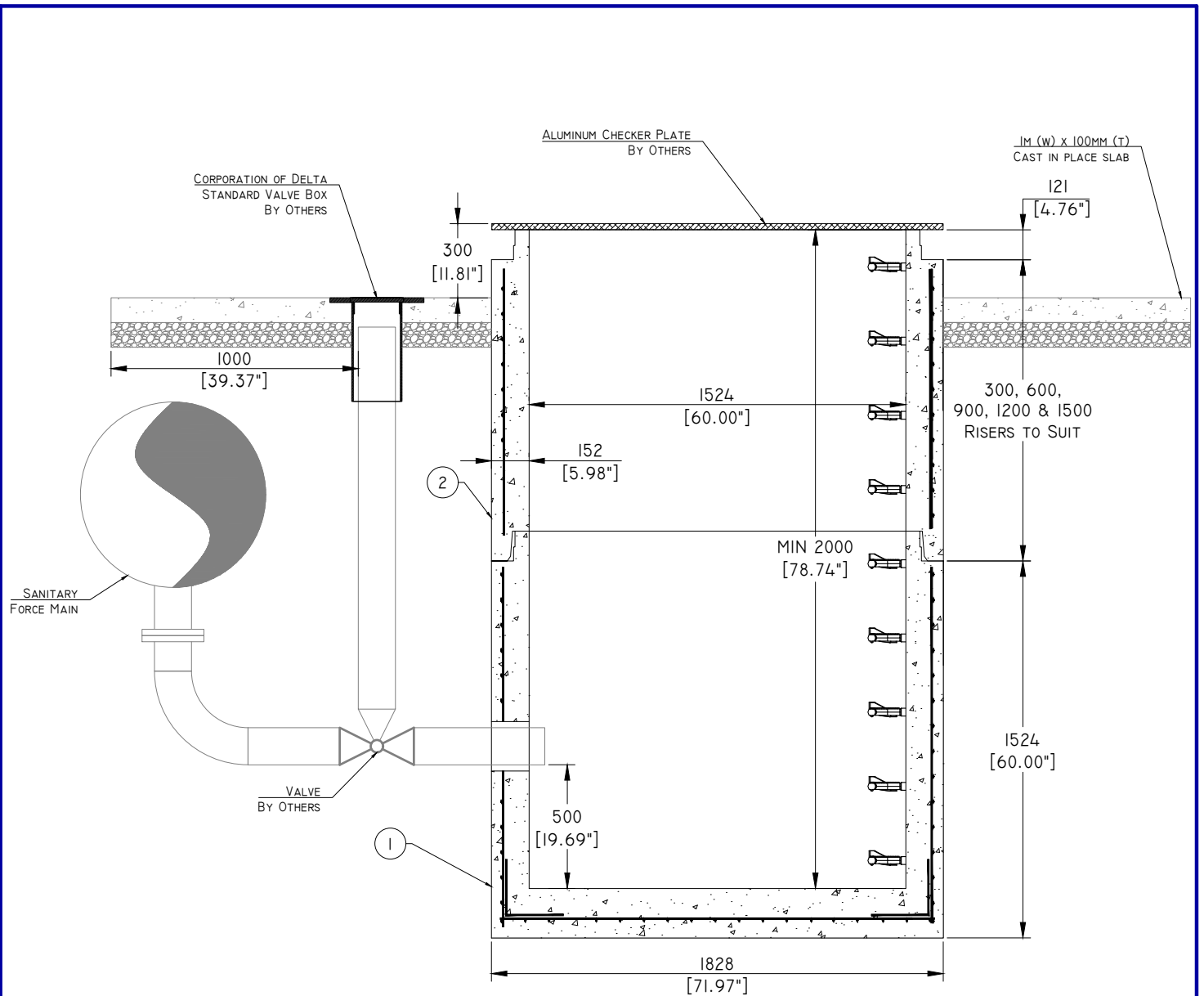
**Specification and General Notes:**

1. All components MMCD PLATINUM (Section 33 44 01) compliant and fabricated to CSA CERTIFICATE OF COMPLIANCE (ASTM C478M)
2. All jurisdiction-specific components SUPPLEMENTAL to MMCD PLATINUM fabricated in accordance with CSA CERTIFICATE OF QUALIFICATION (CSA A23.4-09).
3. Components certified to CSA standards (ASTM C478M & CSA A23.4-09) by approved independent third party certification body accredited by Standards Council of Canada.
4. All components marked with certification body logo and CSA standard markings.
5. Testing to ASTM C497/CSA 23.1 & 2-09.
6. 30 MPa MIN compressive strength (MAX 0.5 W/C ratio).
7. Pipe penetrations to be grouted unless otherwise noted
8. 25mm MIN concrete cover of reinforcing steel.
9. 5mm manufacturing tolerance.
10. A-3 concrete exposure class.
11. 15MPa MIN stripping strength.
12. Standard grade form finish.
13. Unformed steel trowel or wood float finish.
14. 3 point rigging to meet WORK SAFE BC OHS (Guideline 14/15) requirement.
15. Field installation and testing by others.

BILL OF MATERIALS			
ITEM	DESCRIPTION	MASS KG	QUANTITY
1	6060B	3717	1
2	6012R, 6024R, 6036R, 6048R, 6060R		AS REQ

	<b>Description:</b> <b>Sanitary Air Valve Chamber</b> L 5.6	Drawn : S.d. Date : 18/01/2017	<b>Catalog No.</b>
	<b>Jurisdiction: Corporation of Delta</b>	Approved : Load Rating: N/A	<b>Dwg. No.</b> <b>Delta-2</b>
<b>7520 Conrad Street Burnaby, B.C. V5A 2H7 Phone : 604-415-5181 Fax : 604-415-5185</b> <b>www: diamondprecast.com</b>		Rev. No. Scale : 1:20	<b>Sheet No.</b> 1 OF 1

This drawing is the property of the Diamond Precast Concrete. All information contained herein is confidential and may not be used in whole or in part without written permission from the owner

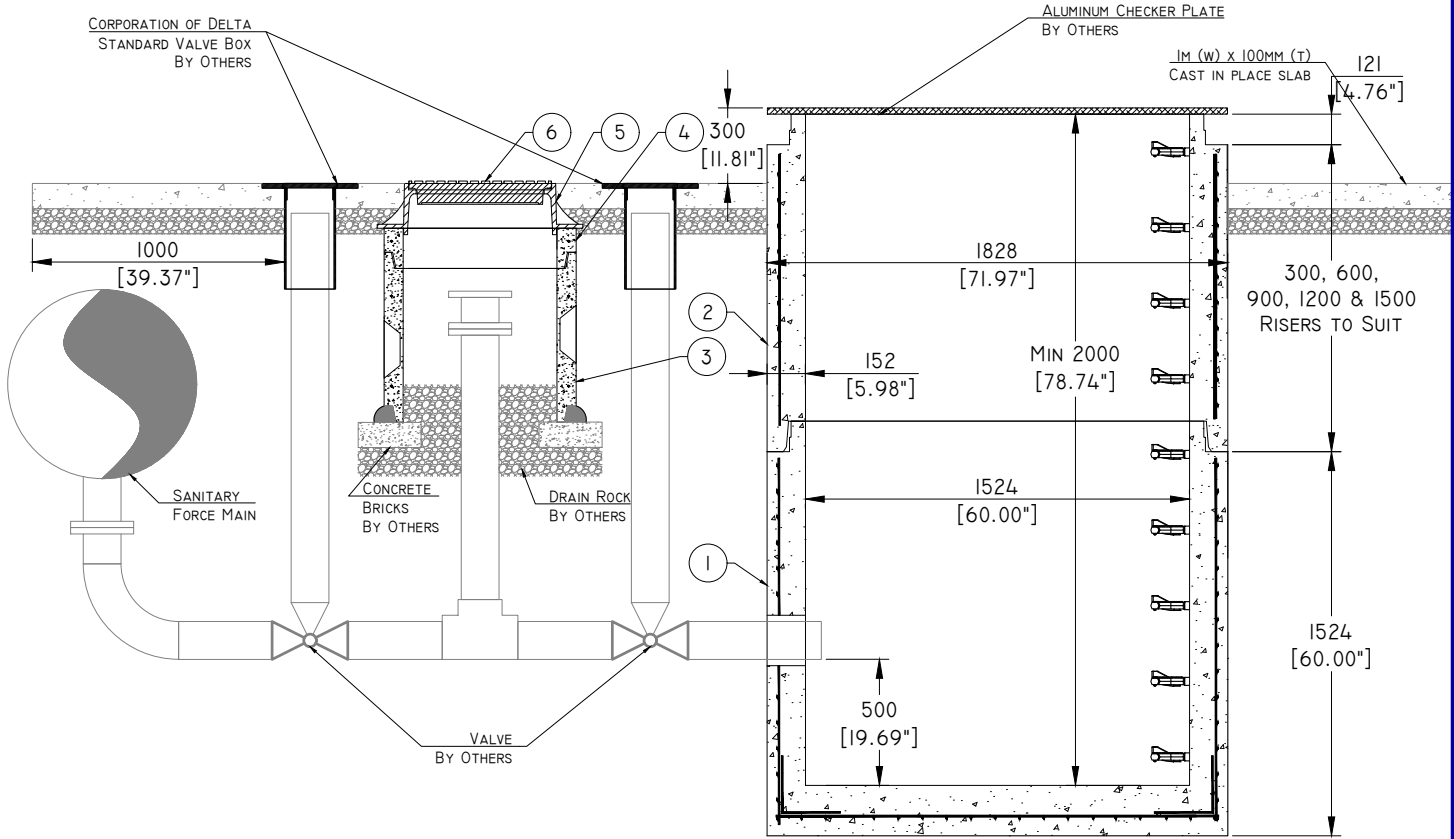


**Specification and General Notes:**

1. All components MMCD PLATINUM (Section 33 44 01) compliant and fabricated to CSA CERTIFICATE OF COMPLIANCE (ASTM C478M)
2. All jurisdiction-specific components SUPPLEMENTAL to MMCD PLATINUM fabricated in accordance with CSA CERTIFICATE OF QUALIFICATION (CSA A23.4-09).
3. Components certified to CSA standards (ASTM C478M & CSA A23.4-09) by approved independent third party certification body accredited by Standards Council of Canada.
4. All components marked with certification body logo and CSA standard markings.
5. Testing to ASTM C497/CSA 23.1 & 2-09.
6. 30 MPa MIN compressive strength (MAX 0.5 W/C ratio).
7. Pipe penetrations to be grouted unless otherwise noted
8. 25mm MIN concrete cover of reinforcing steel.
9. 5mm manufacturing tolerance.
10. A-3 concrete exposure class.
11. 15MPa MIN stripping strength.
12. Standard grade form finish.
13. Unformed steel trowel or wood float finish.
14. 3 point rigging to meet WORK SAFE BC OHS (Guideline 14/15) requirement.
15. Field installation and testing by others.

BILL OF MATERIALS			
ITEM	DESCRIPTION	MASS KG	QUANTITY
1	6060B	3717	1
2	6012R, 6024R, 6036R, 6048R, 6060R		AS REQ

	<b>Description:</b> <b>Sanitary Blow Down Chamber</b> L 5.7	Drawn : S.d. Date : 18/01/2017	<b>Catalog No.</b>
	<b>Jurisdiction: Corporation of Delta</b>	Approved : Load Rating: N/A	<b>Dwg. No.</b> <b>Delta-3</b>
<b>7520 Conrad Street Burnaby, B.C. V5A 2H7 Phone : 604-415-5181 Fax : 604-415-5185</b> <b>www: diamondprecast.com</b>	This drawing is the property of the Diamond Precast Concrete. All information contained herein is confidential and may not be used in whole or in part without written permission from the owner	<b>Sheet No.</b> 1 OF 1	



BILL OF MATERIALS

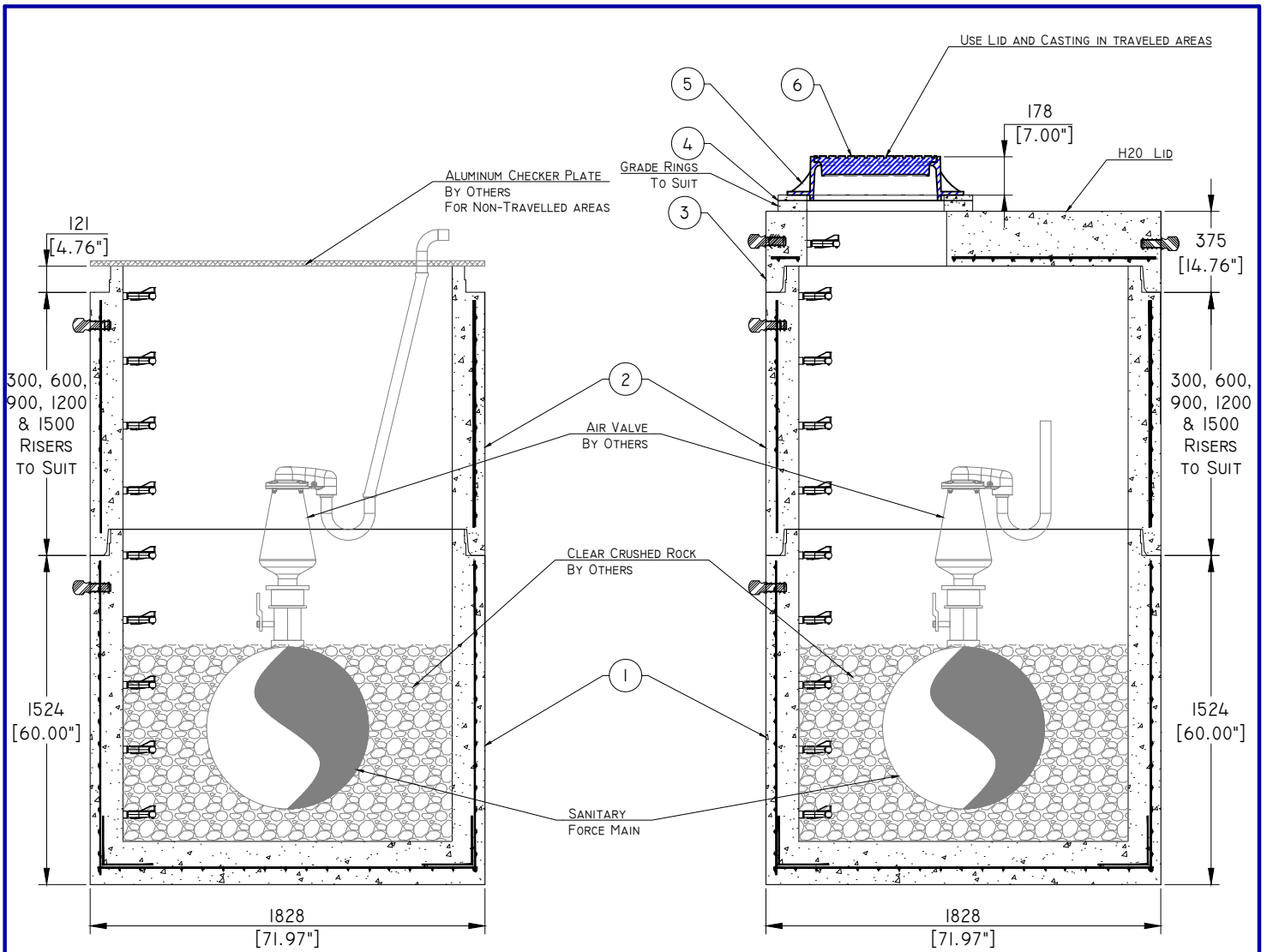
ITEM	DESCRIPTION	MASS KG	QUANTITY
1	6060B	3717	1
2	6012R, 6024R, 6036R, 6048R, 6060R		AS REQ
3	2424R	235	1
4	24DLROM	46	1
5	D187-FRAME	78	1
6	D18-WATER	59	1

Specification and General Notes:

- All components MMCD PLATINUM (Section 33 44 01) compliant and fabricated to CSA CERTIFICATE OF COMPLIANCE (ASTM C478M)
- All jurisdiction-specific components SUPPLEMENTAL to MMCD PLATINUM fabricated in accordance with CSA CERTIFICATE OF QUALIFICATION (CSA A23.4-09).
- Components certified to CSA standards (ASTM C478M & CSA A23.4-09) by approved independent third party certification body accredited by Standards Council of Canada.
- All components marked with certification body logo and CSA standard markings.
- Testing to ASTM C497/CSA 23.1 & 2-09.
- 30 MPa MIN compressive strength (MAX 0.5 W/C ratio).
- Pipe penetrations to be grouted unless otherwise noted
- 25mm MIN concrete cover of reinforcing steel.
- 5mm manufacturing tolerance.
- A-3 concrete exposure class.
- 15MPa MIN stripping strength.
- Standard grade form finish.
- Unformed steel trowel or wood float finish.
- 3 point rigging to meet WORK SAFE BC OHS (Guideline 14/15) requirement.
- Field installation and testing by others.

	<b>Description:</b> <b>Sanitary Blowdown Chamber c/w Cleanout</b> L 5.8	Drawn : S.d. Date : 18/01/2017	<b>Catalog No.</b>
	<b>Jurisdiction: Corporation of Delta</b>	Approved : Load Rating: N/A	<b>Dwg. No.</b> <b>Delta-4</b>
	<b>7520 Conrad Street Burnaby, B.C. V5A 2H7 Phone : 604-415-5181 Fax : 604-415-5185</b> <b>www: diamondprecast.com</b>	Rev. No. Scale : 1:30	<b>Sheet No.</b> 1 OF 1

This drawing is the property of the Diamond Precast Concrete. All information contained herein is confidential and may not be used in whole or in part without written permission from the owner

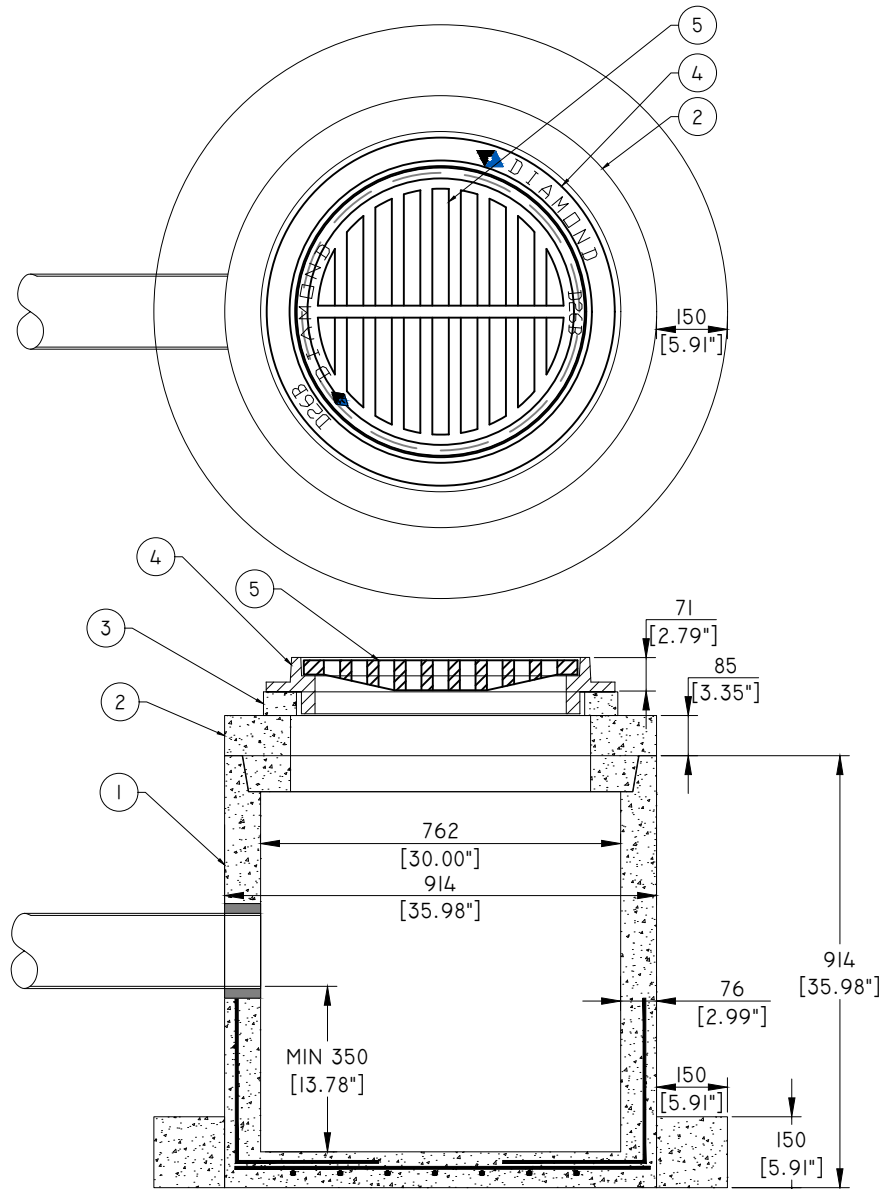


**Specification and General Notes:**

1. All components MMCD PLATINUM (Section 33 44 01) compliant and fabricated to CSA CERTIFICATE OF COMPLIANCE (ASTM C478M)
2. All jurisdiction-specific components SUPPLEMENTAL to MMCD PLATINUM fabricated in accordance with CSA CERTIFICATE OF QUALIFICATION (CSA A23.4-09).
3. Components certified to CSA standards (ASTM C478M & CSA A23.4-09) by approved independent third party certification body accredited by Standards Council of Canada.
4. All components marked with certification body logo and CSA standard markings.
5. Testing to ASTM C497/CSA 23.1 & 2-09.
6. 30 MPa MIN compressive strength (MAX 0.5 W/C ratio).
7. Pipe penetrations to be grouted unless otherwise noted
8. 25mm MIN concrete cover of reinforcing steel.
9. 5mm manufacturing tolerance.
10. A-3 concrete exposure class.
11. 15MPa MIN stripping strength.
12. Standard grade form finish.
13. Unformed steel trowel or wood float finish.
14. 3 point rigging to meet WORK SAFE BC OHS (Guideline 14/15) requirement.
15. Field installation and testing by others.

BILL OF MATERIALS			
ITEM	DESCRIPTION	MASS KG	QUANTITY
1	6060B	3717	1
2	6012R, 6024R, 6036R, 6048R, 6060R		AS REQ
3	6015DL	1435	1
4	MHR		AS REQ
5	DI87-FRAME	78	1
6	DI8-SANITARY	59	1

	<b>Description:</b> <b>Sanitary Air Valve Chamber</b> L 5.9	Drawn : S.d. Date : 18/01/2017	<b>Catalog No.</b>
	<b>Jurisdiction: Corporation of Delta</b>	Approved : Load Rating: N/A	<b>Dwg. No.</b> <b>Delta-5</b>
<b>7520 Conrad Street Burnaby, B.C. V5A 2H7 Phone : 604-415-5181 Fax : 604-415-5185</b> <b>www: diamondprecast.com</b>	This drawing is the property of the Diamond Precast Concrete. All information contained herein is confidential and may not be used in whole or in part without written permission from the owner	<b>Sheet No.</b> 1 OF 1	



**BILL OF MATERIALS**

ITEM	DESCRIPTION	MASS KG	QUANTITY
1	3036CBS	566	1
2	30DLROM	117	1
3	CBR		1 - 3
4	D26B-FRAME	35	1
5	D26B-GRATE	49	1

**Specification and General Notes:**

1. All components MMCD PLATINUM (Section 33 44 01) compliant and fabricated to CSA CERTIFICATE OF COMPLIANCE (ASTM C478M)
2. All jurisdiction-specific components SUPPLEMENTAL to MMCD PLATINUM fabricated in accordance with CSA CERTIFICATE OF QUALIFICATION (CSA A23.4-09).
3. Components certified to CSA standards (ASTM C478M & CSA A23.4-09) by approved independent third party certification body accredited by Standards Council of Canada.
4. All components marked with certification body logo and CSA standard markings.
5. Testing to ASTM C497/CSA 23.1 & 2-09.
6. 30 MPa MIN compressive strength (MAX 0.5 W/C ratio).
7. Pipe penetrations to be grouted unless otherwise noted
8. 25mm MIN concrete cover of reinforcing steel.
9. 5mm manufacturing tolerance.
10. A-3 concrete exposure class.
11. 15MPa MIN stripping strength.
12. Standard grade form finish.
13. Unformed steel trowel or wood float finish.
14. 3 point rigging to meet WORK SAFE BC OHS (Guideline 14/15) requirement.
15. Field installation and testing by others.



Description:

**Surface Inlet**

L 6.8

Jurisdiction: Corporation of Delta

Drawn :

S.d.

Approved :

Rev. No.

Date :

18/01/2017

Load Rating:

H20

Scale :

1:16

Catalog No.

Dwg. No.

**Delta-6**

Sheet No.

1 OF 1

7520 Conrad Street Burnaby, B.C. V5A 2H7 Phone : 604-415-5181 Fax : 604-415-5185

www: diamondprecast.com

This drawing is the property of the Diamond Precast Concrete. All information contained herein is confidential and may not be used in whole or in part without written permission from the owner