

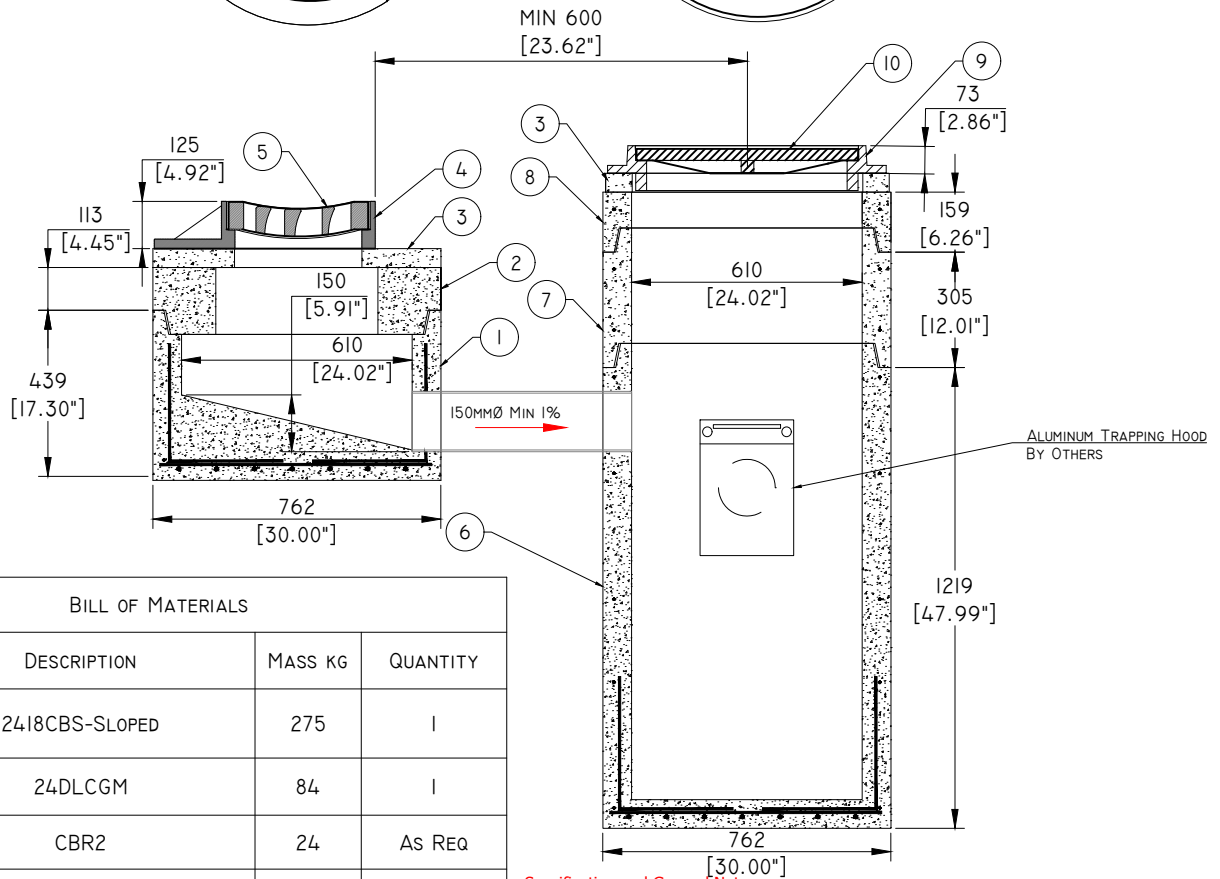
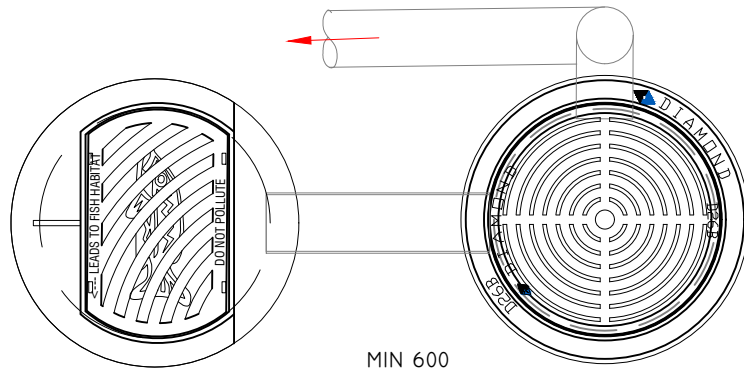
Specification and General Notes:

1. All components MMCD PLATINUM (Section 33 44 01) compliant and fabricated to CSA CERTIFICATE OF COMPLIANCE (ASTM C478M)
2. All jurisdiction-specific components SUPPLEMENTAL to MMCD PLATINUM fabricated in accordance with CSA CERTIFICATE OF QUALIFICATION (CSA A23.4-09).
3. Components certified to CSA standards (ASTM C478M & CSA A23.4-09) by approved independent third party certification body accredited by Standards Council of Canada.
4. All components marked with certification body logo and CSA standard markings.
5. Testing to ASTM C497/CSA 23.1 & 2-09.
6. 30 MPa MIN compressive strength (MAX 0.5 W/C ratio). 15MPa MIN stripping strength.
7. Pipe connections to be grouted.
8. 25mm MIN concrete cover of reinforcing steel.
9. 5mm manufacturing tolerance.
10. A-3 concrete exposure class.
11. Standard grade form finish.
12. Unformed steel trowel or wood float finish.
13. 3 point rigging to meet WORK SAFE BC OHS (Guideline 14/15) requirement
14. Field installation and testing by others.
15. Castings conform to ASTM A48 Class 25 Grey Iron specifications. Frame and Cover designed to withstand H20 loading.
16. Drawing to illustrate use of Diamond Precast Products in City of Coquitlam applications. City of Coquitlam Supplementary Specifications and Project Specifications supercede these drawings.

BILL OF MATERIALS			
ITEM	DESCRIPTION	MASS KG	QUANTITY
1	3648CBS	897	1
2	36DLSIM	152	1
3	MHRSI-2	59	1-3
4	D39A	60	1
5	D39-GRATE	27	1
6	D39B	90	1

	Description: Side Inlet Catch Basin Assembly COQ-SIIA	Drawn : S.d. Date : 20/12/2016	Catalog No.
	Jurisdiction: City of Coquitlam	Approved : Load Rating: H20	Dwg. No. CoCoq-1
	7520 Conrad Street Burnaby, B.C. V5A 2H7 Phone : 604-415-5181 Fax : 604-415-5185 www: diamondprecast.com	Rev. No. Scale : 1:20	Sheet No. 1 OF 1

This drawing is the property of the Diamond Precast Concrete. All information contained herein is confidential and may not be used in whole or in part without written permission from the owner



BILL OF MATERIALS

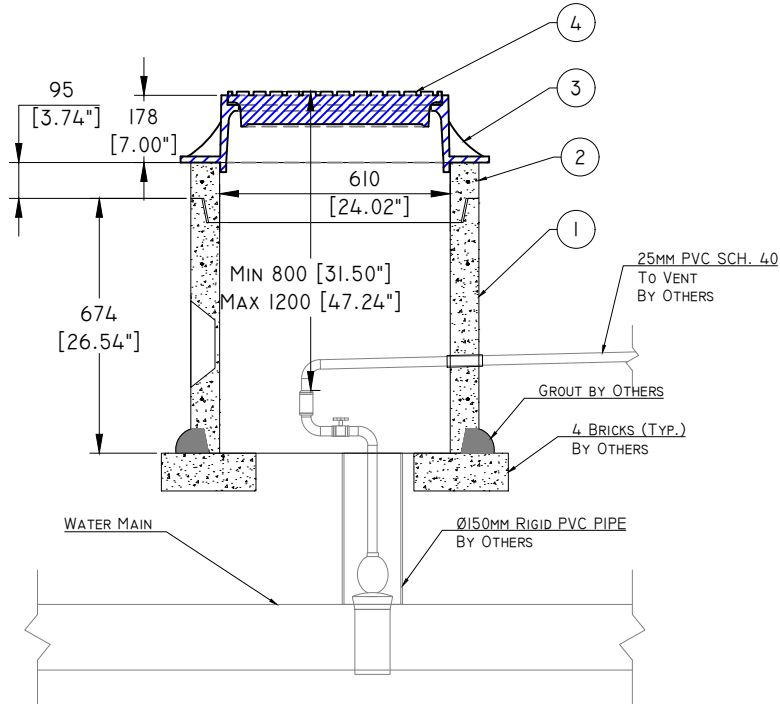
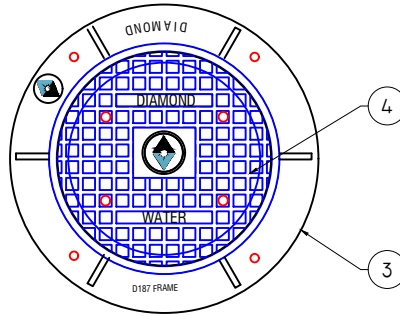
ITEM	DESCRIPTION	MASS KG	QUANTITY
1	2418CBS-SLOPED	275	1
2	24DLCGM	84	1
3	CBR2	24	AS REQ
4	D24D - FRAME	59	1
5	D23-GRATE	54	1
6	2448CBTT	520	1
7	2424R	235	1
8	24DLROF	50	1
9	D26B-FRAME	35	1
10	D26B-COVER	47	1

Specification and General Notes:

- All components MMCD PLATINUM (Section 33 44 01) compliant and fabricated to CSA CERTIFICATE OF COMPLIANCE (ASTM C478M)
- All jurisdiction-specific components SUPPLEMENTAL to MMCD PLATINUM fabricated in accordance with CSA CERTIFICATE OF QUALIFICATION (CSA A23.4-09).
- Components certified to CSA standards (ASTM C478M & CSA A23.4-09) by approved independent third party certification body accredited by Standards Council of Canada.
- All components marked with certification body logo and CSA standard markings.
- Testing to ASTM C497/CSA 23.1 & 2-09.
- 30 MPa MIN compressive strength (MAX 0.5 W/C ratio). 15MPa MIN stripping strength.
- Pipe connections to be grouted.
- 25mm MIN concrete cover of reinforcing steel.
- 5mm manufacturing tolerance.
- A-3 concrete exposure class.
- Standard grade form finish.
- Unformed steel trowel or wood float finish.
- 3 point rigging to meet WORK SAFE BC OHS (Guideline 14/15) requirement
- Field installation and testing by others.
- Castings conform to ASTM A48 Class 25 Grey Iron specifications. Frame and Cover designed to withstand H20 loading.
- Drawing to illustrate use of Diamond Precast Products in City of Coquitlam applications. City of Coquitlam Supplementary Specifications and Project Specifications supercede these drawings.

	Description: Top Inlet Catch Basin With Offset Sump COQ-SIIB	Drawn : S.d. Date : 20/12/2016 Catalog No.
	Jurisdiction: City of Coquitlam	Approved : Load Rating: H20 Dwg. No.
	7520 Conrad Street Burnaby, B.C. V5A 2H7 Phone : 604-415-5181 Fax : 604-415-5185 www: diamondprecast.com	Rev. No. Scale : 1:20 CoCoq-2 Sheet No. 1 OF 1

This drawing is the property of the Diamond Precast Concrete. All information contained herein is confidential and may not be used in whole or in part without written permission from the owner



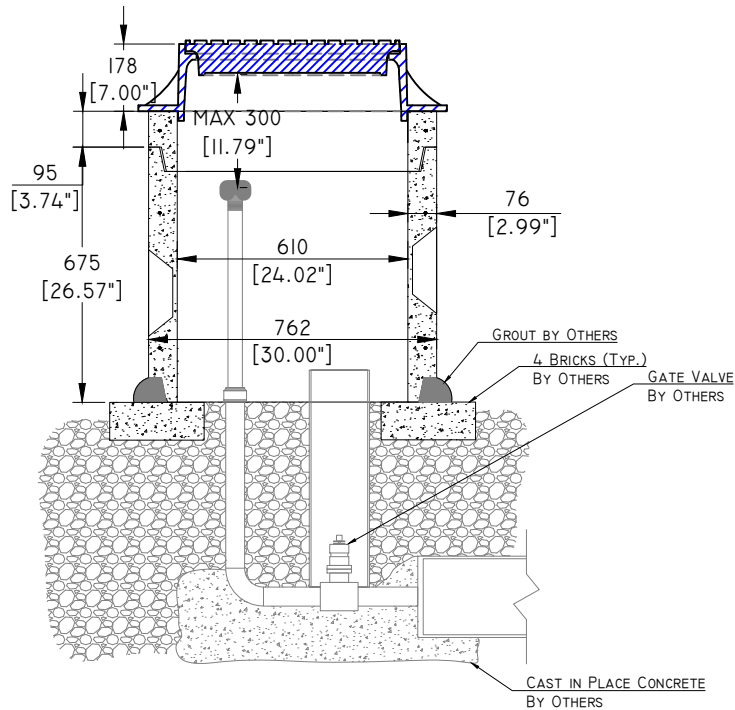
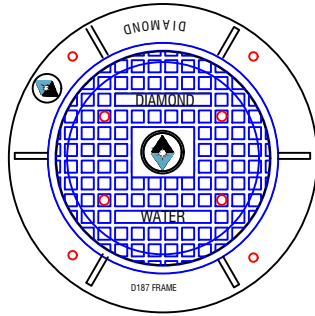
Specification and General Notes:

1. All components MMCD PLATINUM (Section 33 44 01) compliant and fabricated to CSA CERTIFICATE OF COMPLIANCE (ASTM C478M)
2. All jurisdiction-specific components SUPPLEMENTAL to MMCD PLATINUM fabricated in accordance with CSA CERTIFICATE OF QUALIFICATION (CSA A23.4-09).
3. Components certified to CSA standards (ASTM C478M & CSA A23.4-09) by approved independent third party certification body accredited by Standards Council of Canada.
4. All components marked with certification body logo and CSA standard markings.
5. Testing to ASTM C497/CSA 23.1 & 2-09.
6. 30 MPa MIN compressive strength (MAX 0.5 W/C ratio). 15MPa MIN stripping strength.
7. Pipe connections to be grouted.
8. 25mm MIN concrete cover of reinforcing steel.
9. 5mm manufacturing tolerance.
10. A-3 concrete exposure class.
11. Standard grade form finish.
12. Unformed steel trowel or wood float finish.
13. 3 point rigging to meet WORK SAFE BC OHS (Guideline 14/15) requirement
14. Field installation and testing by others.
15. Castings conform to ASTM A48 Class 25 Grey Iron specifications. Frame and Cover designed to withstand H20 loading.
16. Drawing to illustrate use of Diamond Precast Products in City of Coquitlam applications. City of Coquitlam Supplementary Specifications and Project Specifications supercede these drawings.

BILL OF MATERIALS

ITEM	DESCRIPTION	MASS KG	QUANTITY
1	2424R	235	1
2	24DLROF	50	1
3	D187-FRAME	78	1
4	D18-WATER	65	1

	Description:	Drawn : S.d.	Date : 20/12/2016	Catalog No.
	25mm Double Acting Air Release Valve	Approved :	Load Rating: H20	
	COQ-W6	Jurisdiction: City of Coquitlam	Rev. No.	Scale : 1:20
7520 Conrad Street Burnaby, B.C. V5A 2H7 Phone : 604-415-5181 Fax : 604-415-5185 www: diamondprecast.com		This drawing is the property of the Diamond Precast Concrete. All information contained herein is confidential and may not be used in whole or in part without written permission from the owner		Sheet No. 1 OF 1



Specification and General Notes:

1. All components MMCD PLATINUM (Section 33 44 01) compliant and fabricated to CSA CERTIFICATE OF COMPLIANCE (ASTM C478M)
2. All jurisdiction-specific components SUPPLEMENTAL to MMCD PLATINUM fabricated in accordance with CSA CERTIFICATE OF QUALIFICATION (CSA A23.4-09).
3. Components certified to CSA standards (ASTM C478M & CSA A23.4-09) by approved independent third party certification body accredited by Standards Council of Canada.
4. All components marked with certification body logo and CSA standard markings.
5. Testing to ASTM C497/CSA 23.1 & 2-09.
6. 30 MPa MIN compressive strength (MAX 0.5 W/C ratio). 15MPa MIN stripping strength.
7. Pipe connections to be grouted.
8. 25mm MIN concrete cover of reinforcing steel.
9. 5mm manufacturing tolerance.
10. A-3 concrete exposure class.
11. Standard grade form finish.
12. Unformed steel trowel or wood float finish.
13. 3 point rigging to meet WORK SAFE BC OHS (Guideline 14/15) requirement
14. Field installation and testing by others.
15. Castings conform to ASTM A48 Class 25 Grey Iron specifications. Frame and Cover designed to withstand H2O loading.
16. Drawing to illustrate use of Diamond Precast Products in City of Coquitlam applications. City of Coquitlam Supplementary Specifications and Project Specifications supercede these drawings.

BILL OF MATERIALS

ITEM	DESCRIPTION	MASS KG	QUANTITY
1	2424R	235	1
2	24DLROF	50	1
3	D187-FRAME	78	1
4	D18-WATER	65	1

	Description:	Drawn :	Date :	Catalog No.
	Watermain Blow-off Assembly	S.d.	20/12/2016	
	COQ-W8	Approved :	Load Rating:	H20
Jurisdiction: City of Coquitlam	Rev. No.	Scale :	1:20	CoCoq-4
7520 Conrad Street Burnaby, B.C. V5A 2H7 Phone : 604-415-5181 Fax : 604-415-5185 www: diamondprecast.com	This drawing is the property of the Diamond Precast Concrete. All information contained herein is confidential and may not be used in whole or in part without written permission from the owner			Sheet No. 1 OF 1