

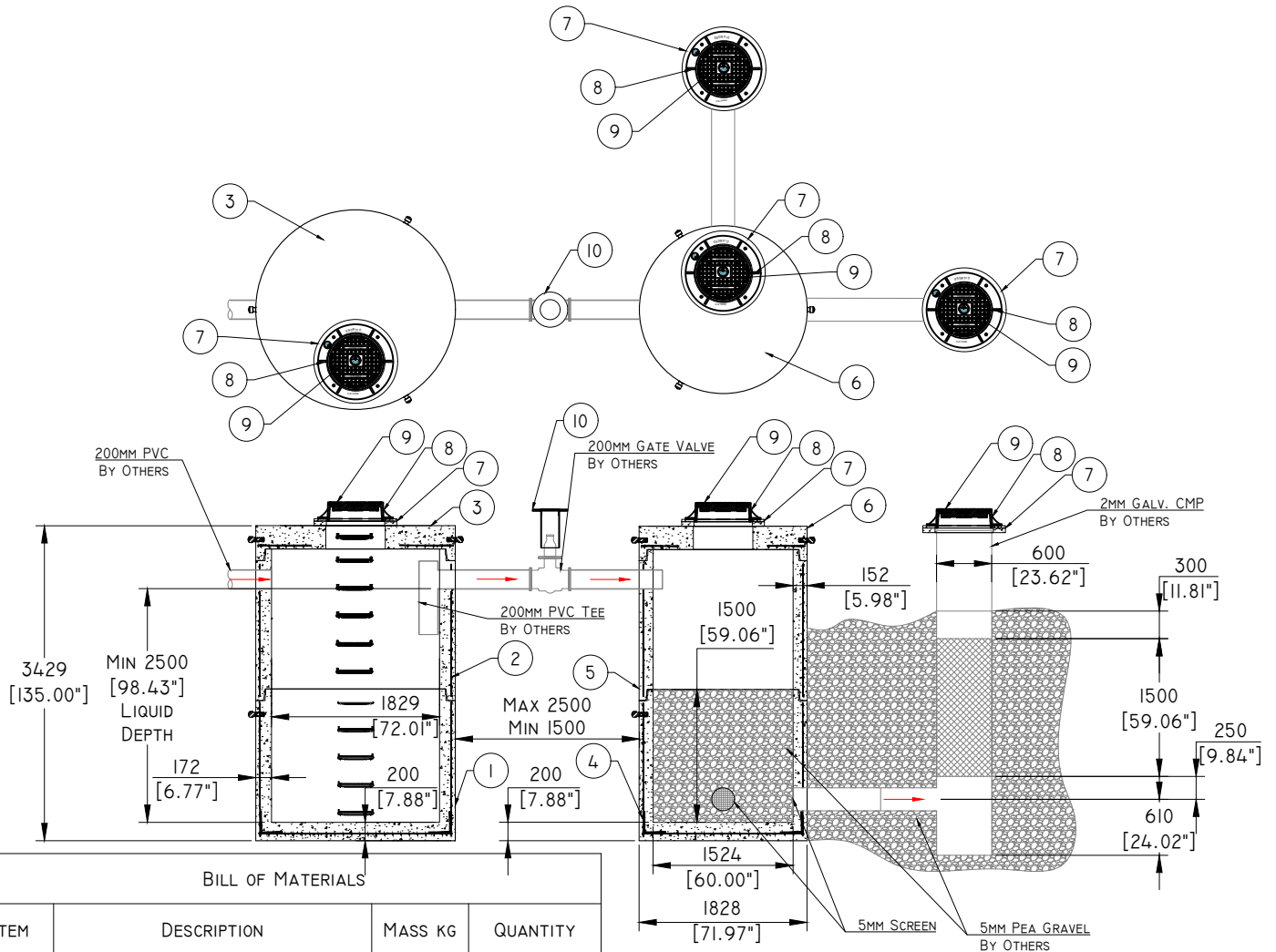
Specification and General Notes:

1. All components MMCD PLATINUM (Section 33 44 01) compliant and fabricated to CSA CERTIFICATE OF COMPLIANCE (ASTM C478M)
2. All jurisdiction-specific components SUPPLEMENTAL to MMCD PLATINUM fabricated in accordance with CSA CERTIFICATE OF QUALIFICATION (CSA A23.4-09).
3. Components certified to CSA standards (ASTM C478M & CSA A23.4-09) by approved independent third party certification body accredited by Standards Council of Canada.
4. All components marked with certification body logo and CSA standard markings.
5. Testing to ASTM C497/CSA 23.1 & 2-09.
6. 30 MPa MIN compressive strength (MAX 0.5 W/C ratio). 15MPa MIN stripping strength.
7. Pipe connections to be grouted.
8. 25mm MIN concrete cover of reinforcing steel.
9. 5mm manufacturing tolerance.
10. A-3 concrete exposure class.
11. Standard grade form finish.
12. Unformed steel trowel or wood float finish.
13. 3 point rigging to meet WORK SAFE BC OHS (Guideline 14/15) requirement
14. Field installation and testing by others.
15. Castings conform to ASTM A48 Class 25 Grey Iron specifications. Frame and Cover designed to withstand H2O loading.
16. Drawing to illustrate use of Diamond Precast Products in City of Chilliwack applications. The City of Chilliwack Land Development Bylaw 2014 NO. 3055 and Project Specifications supercede these drawings.

BILL OF MATERIALS			
ITEM	DESCRIPTION	MASS KG	QUANTITY
1	4848B	2178	2
2	48 RISER		AS REQ
3	48I2DL	703	2
4	MHR		AS REQ
5	DI87-FRAME	79	3
6	DI8-STORM	59	3
7	DMR6-18	35	1

	Description: Soak-Away Well 0.5 C.F.S. DD - 9	Drawn : S.d. Date : 06/02/2017	Catalog No.
	Jurisdiction: City of Chilliwack	Approved : Load Rating: H20	Dwg. No. CoCWK-1
	7520 Conrad Street Burnaby, B.C. V5A 2H7 Phone : 604-415-5181 Fax : 604-415-5185 www.diamondprecast.com	Rev. No. Scale : 1:50	Sheet No. 1 OF 1

This drawing is the property of the Diamond Precast Concrete. All information contained herein is confidential and may not be used in whole or in part without written permission from the owner



Specification and General Notes:

- All components MMCD PLATINUM (Section 33 44 01) compliant and fabricated to CSA CERTIFICATE OF COMPLIANCE (ASTM C478M)
- All jurisdiction-specific components SUPPLEMENTAL to MMCD PLATINUM fabricated in accordance with CSA CERTIFICATE OF QUALIFICATION (CSA A23.4-09).
- Components certified to CSA standards (ASTM C478M & CSA A23.4-09) by approved independent third party certification body accredited by Standards Council of Canada.
- All components marked with certification body logo and CSA standard markings.
- Testing to ASTM C497/CSA 23.1 & 2-09.
- 30 MPa MIN compressive strength (MAX 0.5 W/C ratio). 15MPa MIN stripping strength.
- Pipe connections to be grouted.
- 25mm MIN concrete cover of reinforcing steel.
- 5mm manufacturing tolerance.
- A-3 concrete exposure class.
- Standard grade form finish.
- Unformed steel trowel or wood float finish.
- 3 point rigging to meet WORK SAFE BC OHS (Guideline 14/15) requirement
- Field installation and testing by others.
- Castings conform to ASTM A48 Class 25 Grey Iron specifications. Frame and Cover designed to withstand H2O loading.
- Drawing to illustrate use of Diamond Precast Products in City of Chilliwack applications. The City of Chilliwack Land Development Bylaw 2014 NO. 3055 and Project Specifications supercede these drawings.



Description:

Soak-Away Well 1.0 C.F.S.

DD - 10

Jurisdiction: City of Chilliwack

Drawn :

S.d.

Date :

06/02/2017

Catalog No.

Approved :

Load Rating:

H20

Dwg. No.

CoCWK-2

Rev. No.

Scale :

1:75

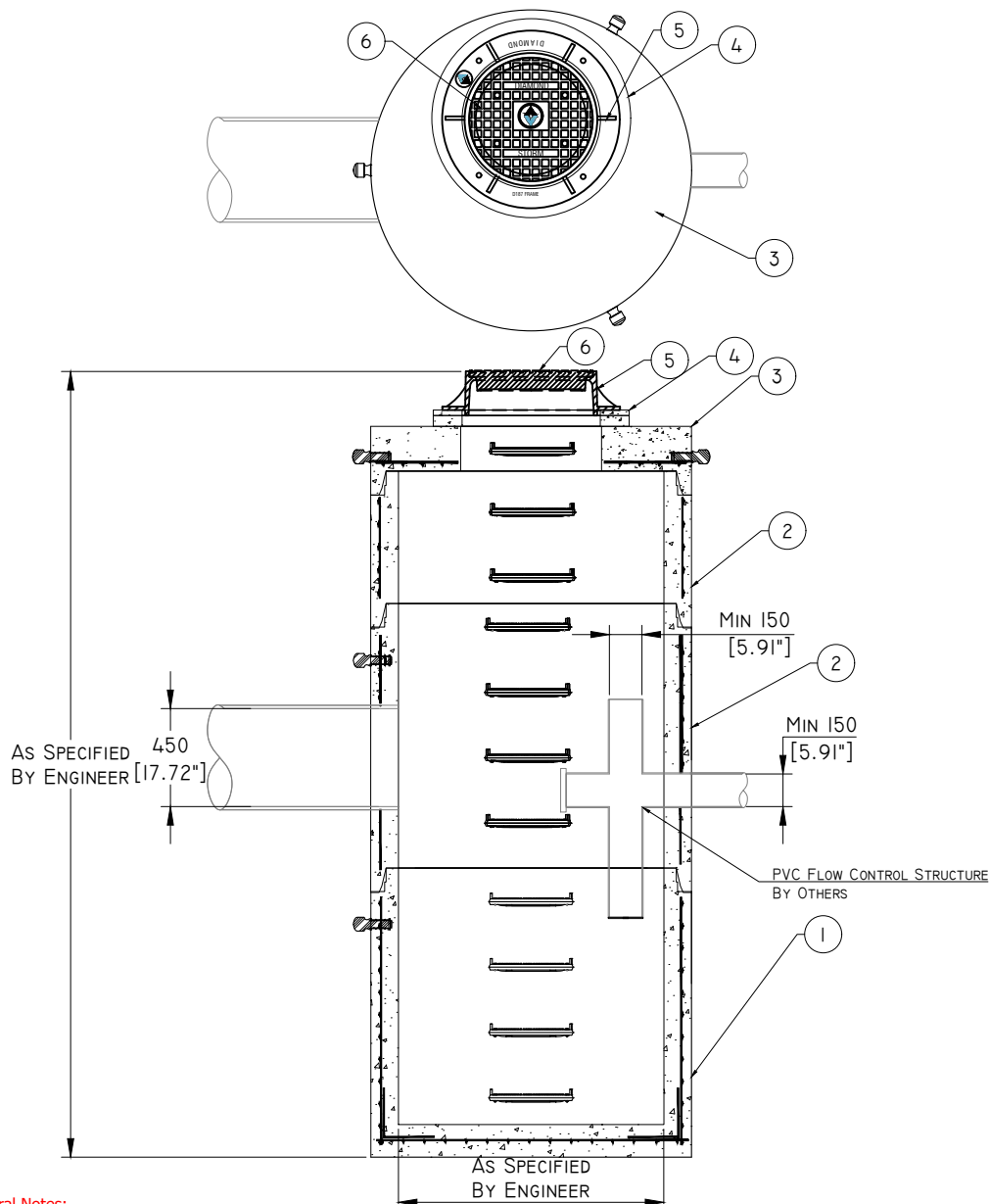
7520 Conrad Street Burnaby, B.C. V5A 2H7 Phone : 604-415-5181 Fax : 604-415-5185

www.diamondprecast.com

This drawing is the property of the Diamond Precast Concrete. All information contained herein is confidential and may not be used in whole or in part without written permission from the owner

Sheet No.

1 OF 1




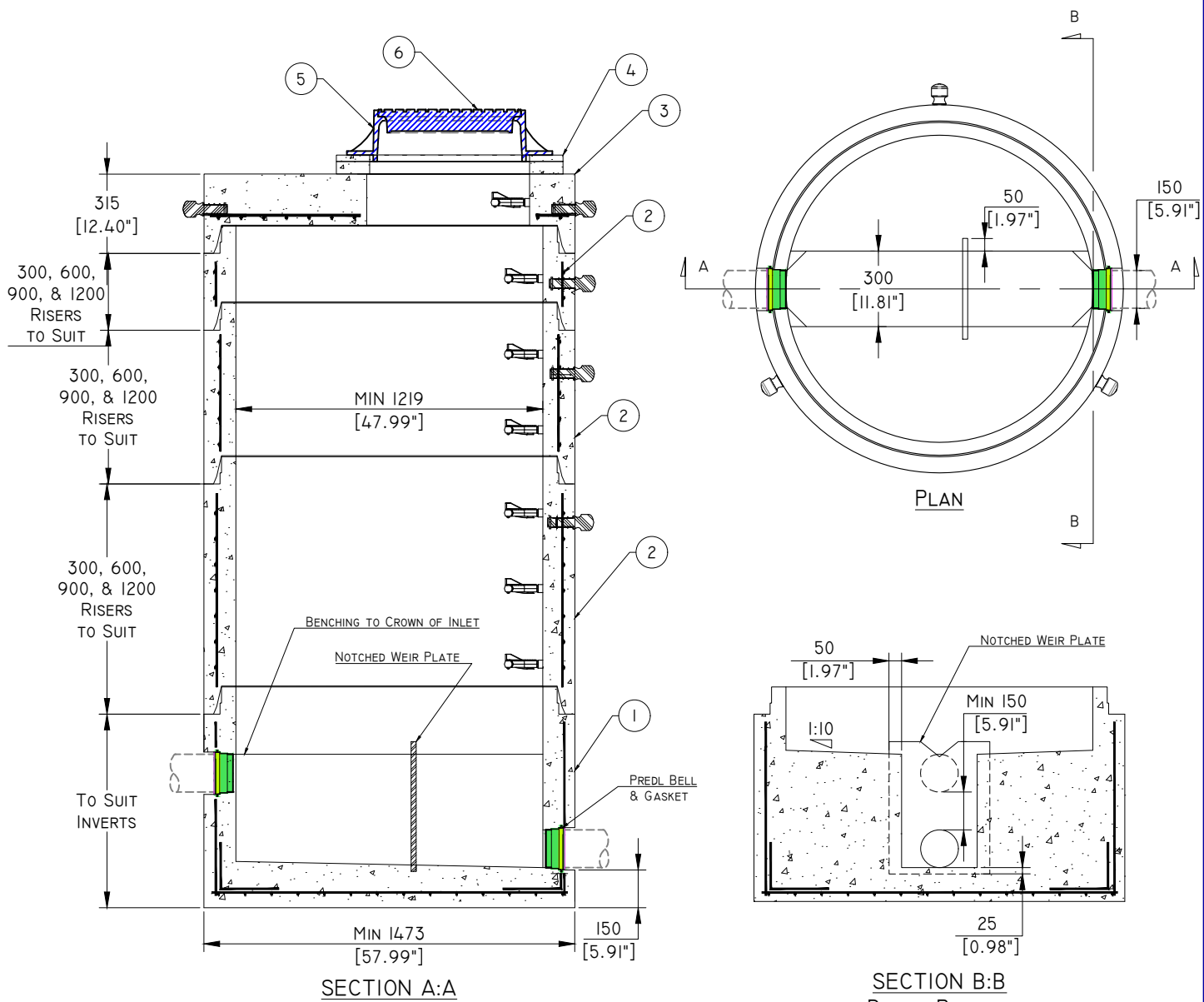
Specification and General Notes:

1. All components MMCD PLATINUM (Section 33 44 01) compliant and fabricated to CSA CERTIFICATE OF COMPLIANCE (ASTM C478M)
2. All jurisdiction-specific components SUPPLEMENTAL to MMCD PLATINUM fabricated in accordance with CSA CERTIFICATE OF QUALIFICATION (CSA A23.4-09).
3. Components certified to CSA standards (ASTM C478M & CSA A23.4-09) by approved independent third party certification body accredited by Standards Council of Canada.
4. All components marked with certification body logo and CSA standard markings.
5. Testing to ASTM C497/CSA 23.1 & 2-09.
6. 30 MPa MIN compressive strength (MAX 0.5 W/C ratio), 15MPa MIN stripping strength.
7. Pipe connections to be grouted.
8. 25mm MIN concrete cover of reinforcing steel.
9. 5mm manufacturing tolerance.
10. A-3 concrete exposure class.
11. Standard grade form finish.
12. Unformed steel trowel or wood float finish.
13. 3 point rigging to meet WORK SAFE BC OHS (Guideline 14/15) requirement
14. Field installation and testing by others.
15. Castings conform to ASTM A48 Class 25 Grey Iron specifications. Frame and Cover designed to withstand H20 loading.
16. Drawing to illustrate use of Diamond Precast Products in City of Chilliwack applications. The City of Chilliwack Land Development Bylaw 2014 NO. 3055 and Project Specifications supercede these drawings.

BILL OF MATERIALS

ITEM	DESCRIPTION	MASS KG	QUANTITY
1	MANHOLE BASE		1
2	MANHOLE RISER		AS REQ
3	MANHOLE DONUT LID		1
7	MHR		AS REQ
8	D187-FRAME	79	1
9	D18-STORM	59	1

	Description: Flow Control Manhole DD - 16	Drawn : S.d.	Date : 06/02/2017	Catalog No. Dwg. No. CoCWK-3
	Jurisdiction: City of Chilliwack	Approved :	Load Rating: H20	
	7520 Conrad Street Burnaby, B.C. V5A 2H7 Phone : 604-415-5181 Fax : 604-415-5185 www.diamondprecast.com	This drawing is the property of the Diamond Precast Concrete. All information contained herein is confidential and may not be used in whole or in part without written permission from the owner	Rev. No.	Scale : 1:34



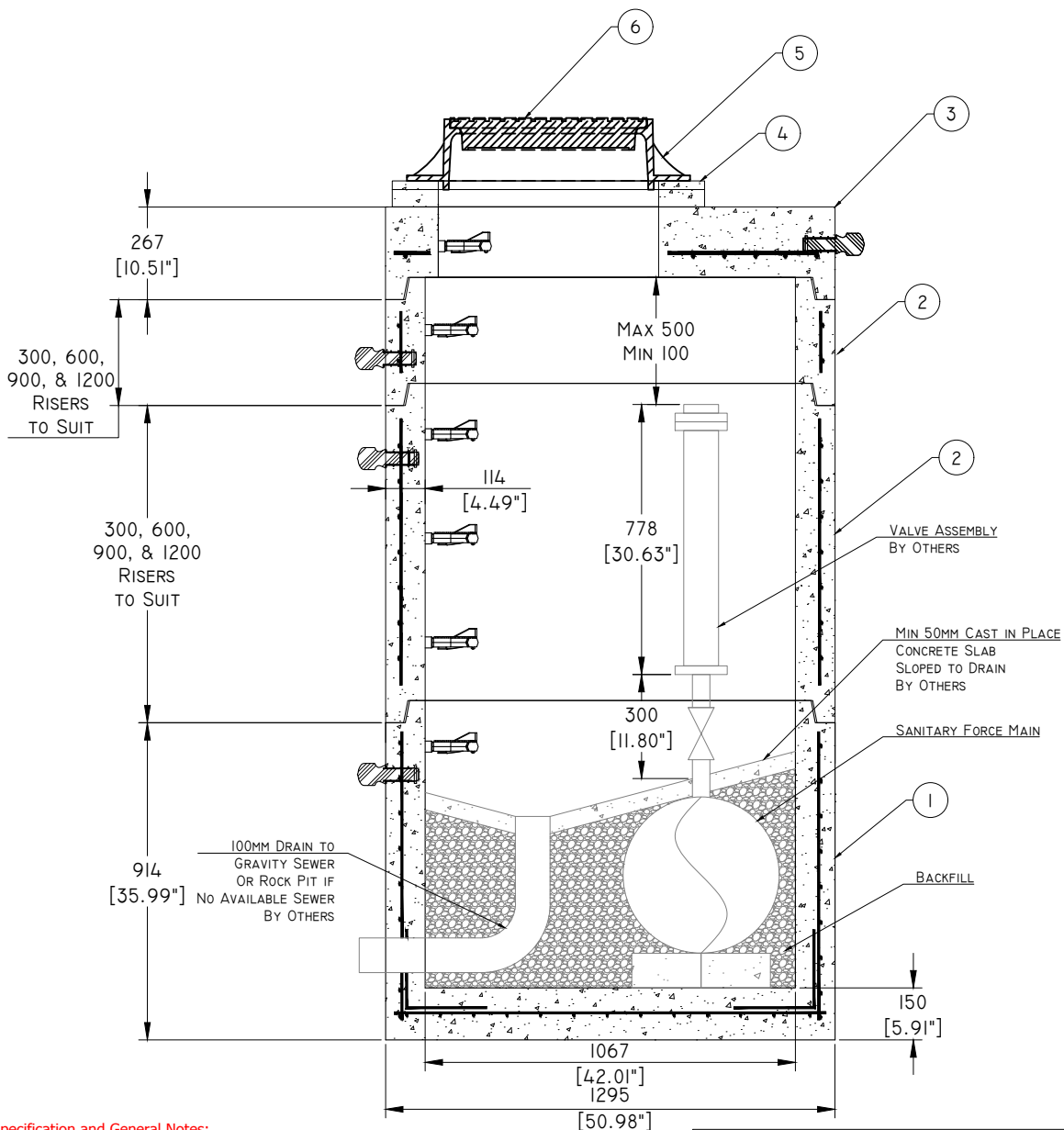
Specification and General Notes:

1. All components MMCD PLATINUM (Section 33 44 01) compliant and fabricated to CSA CERTIFICATE OF COMPLIANCE (ASTM C478M)
2. All jurisdiction-specific components SUPPLEMENTAL to MMCD PLATINUM fabricated in accordance with CSA CERTIFICATE OF QUALIFICATION (CSA A23.4-09).
3. Components certified to CSA standards (ASTM C478M & CSA A23.4-09) by approved independent third party certification body accredited by Standards Council of Canada.
4. All components marked with certification body logo and CSA standard markings.
5. Testing to ASTM C497/CSA 23.1 & 2-09.
6. 30 MPa MIN compressive strength (MAX 0.5 W/C ratio), 15MPa MIN stripping strength.
7. Pipe connections Predl Bell & Gasket.
8. 25mm MIN concrete cover of reinforcing steel.
9. 5mm manufacturing tolerance.
10. A-3 concrete exposure class.
11. Standard grade form finish.
12. Unformed steel trowel or wood float finish.
13. 3 point rigging to meet WORK SAFE BC OHS (Guideline 14/15) requirement
14. Field installation and testing by others.
15. Castings conform to ASTM A48 Class 25 Grey Iron specifications. Frame and Cover designed to withstand H20 loading.
16. Drawing to illustrate use of Diamond Precast Products in City of Chilliwack applications. The City of Chilliwack Land Development Bylaw 2014 NO. 3055 and Project Specifications supercede these drawings.

BILL OF MATERIALS			
ITEM	DESCRIPTION	MASS KG	QUANTITY
1	48-PREBENCH		1
2	48 RISER		AS REQ
3	48I2DL	703	1
7	MHR		1-3
8	D187-FRAME	79	1
9	D18-SANITARY	59	1

	Description: Control Manhole DS - 5	Drawn : S.d. Date : 06/02/2017	Catalog No.
	Jurisdiction: City of Chilliwack	Approved : Load Rating: H20	Dwg. No. CoCWK-4
	7520 Conrad Street Burnaby, B.C. V5A 2H7 Phone : 604-415-5181 Fax : 604-415-5185 www.diamondprecast.com	Rev. No. Scale : 1:25	Sheet No. 1 OF 1

This drawing is the property of the Diamond Precast Concrete. All information contained herein is confidential and may not be used in whole or in part without written permission from the owner



Specification and General Notes:

1. All components MMCD PLATINUM (Section 33 44 01) compliant and fabricated to CSA CERTIFICATE OF COMPLIANCE (ASTM C478M)
2. All jurisdiction-specific components SUPPLEMENTAL to MMCD PLATINUM fabricated in accordance with CSA CERTIFICATE OF QUALIFICATION (CSA A23.4-09).
3. Components certified to CSA standards (ASTM C478M & CSA A23.4-09) by approved independent third party certification body accredited by Standards Council of Canada.
4. All components marked with certification body logo and CSA standard markings.
5. Testing to ASTM C497/CSA 23.1 & 2-09.
6. 30 MPa MIN compressive strength (MAX 0.5 W/C ratio). 15MPa MIN stripping strength.
7. Pipe connections to be grouted.
8. 25mm MIN concrete cover of reinforcing steel.
9. 5mm manufacturing tolerance.
10. A-3 concrete exposure class.
11. Standard grade form finish.
12. Unformed steel trowel or wood float finish.
13. 3 point rigging to meet WORK SAFE BC OHS (Guideline 14/15) requirement
14. Field installation and testing by others.
15. Castings conform to ASTM A48 Class 25 Grey Iron specifications. Frame and Cover designed to withstand H2O loading.
16. Drawing to illustrate use of Diamond Precast Products in City of Chilliwack applications. The City of Chilliwack Land Development Bylaw 2014 NO. 3055 and Project Specifications supercede these drawings.

BILL OF MATERIALS

ITEM	DESCRIPTION	MASS KG	QUANTITY
1	4236B	1169	1
2	42 RISER		AS REQ
3	4210DL	469	1-3
4	MHR		AS REQ
5	D187-FRAME	79	1
6	D18-SANITARY	59	1

	Description:	Drawn : S.d.	Date : 06/02/2017	Catalog No.
	Air & Vacuum Valve Chamber for Forcemain	Approved :	Load Rating: H20	
	DS-18	Jurisdiction: City of Chilliwack	Rev. No.	Scale : 1:20
7520 Conrad Street Burnaby, B.C. V5A 2H7 Phone : 604-415-5181 Fax : 604-415-5185 www.diamondprecast.com		This drawing is the property of the Diamond Precast Concrete. All information contained herein is confidential and may not be used in whole or in part without written permission from the owner		Sheet No. 1 OF 1