

Specification and General Notes:

1. All components MMCD PLATINUM (Section 33 44 01) compliant and fabricated to CSA CERTIFICATE OF COMPLIANCE (ASTM C478M)
2. All jurisdiction-specific components SUPPLEMENTAL to MMCD PLATINUM fabricated in accordance with CSA CERTIFICATE OF QUALIFICATION (CSA A23.4-09).
3. Components certified to CSA standards (ASTM C478M & CSA A23.4-09) by approved independent third party certification body accredited by Standards Council of Canada.
4. All components marked with certification body logo and CSA standard markings.
5. Testing to ASTM C497/CSA 23.1 & 2-09.
6. 30 MPa MIN compressive strength (MAX 0.5 W/C ratio).
7. Pipe penetrations to be grouted unless otherwise noted
8. 25mm MIN concrete cover of reinforcing steel.
9. 5mm manufacturing tolerance.
10. A-3 concrete exposure class.
11. 15MPa MIN stripping strength.
12. Standard grade form finish.
13. Unformed steel trowel or wood float finish.
14. 3 point rigging to meet WORK SAFE BC OHS (Guideline 14/15) requirement.
15. Field installation and testing by others.

BILL OF MATERIALS

ITEM	DESCRIPTION	MASS KG	QUANTITY
1	2436CBS	403	1
2	2424R	235	1
3	D22B-GRATE	48	1
4	D-TRAPHOOD	10	1



Description:
Catch Basin Type I
 BBY - SI08

Jurisdiction: City of Burnaby

Drawn : S.d.
 Date : 20/09/2016
 Approved :
 Load Rating: N/A
 Rev. No.
 Scale : 1:15

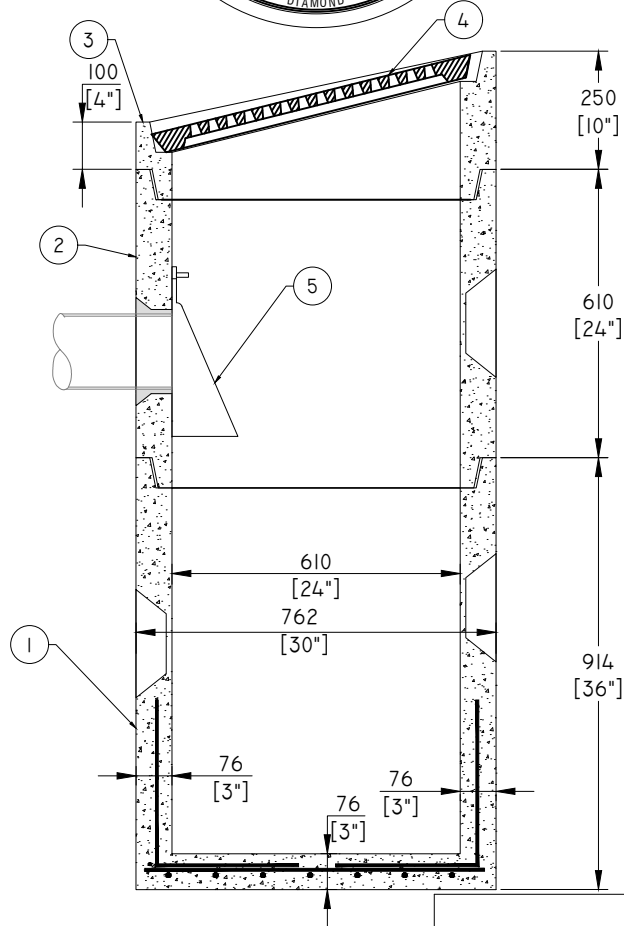
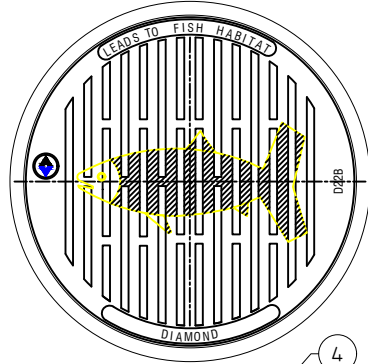
Catalog No.

Dwg. No.
COBBY-1

7520 Conrad Street Burnaby, B.C. V5A 2H7 Phone : 604-415-5181 Fax : 604-415-5185
 www: diamondprecast.com

This drawing is the property of the Diamond Precast Concrete. All information contained herein is confidential and may not be used in whole or in part without written permission from the owner

Sheet No.
 1 OF 1



BILL OF MATERIALS

ITEM	DESCRIPTION	MASS KG	QUANTITY
1	2436CBS	403	1
2	2424R	235	1
3	2410R-SLOPED	92	1
4	D22B-GRATE	48	1
5	D-TRAPHOOD	10	1

Specification and General Notes:

- All components MMCD PLATINUM (Section 33 44 01) compliant and fabricated to CSA CERTIFICATE OF COMPLIANCE (ASTM C478M)
- All jurisdiction-specific components SUPPLEMENTAL to MMCD PLATINUM fabricated in accordance with CSA CERTIFICATE OF QUALIFICATION (CSA A23.4-09).
- Components certified to CSA standards (ASTM C478M & CSA A23.4-09) by approved independent third party certification body accredited by Standards Council of Canada.
- All components marked with certification body logo and CSA standard markings.
- Testing to ASTM C497/CSA 23.1 & 2-09.
- 30 MPa MIN compressive strength (MAX 0.5 W/C ratio).
- Pipe penetrations to be grouted unless otherwise noted
- 25mm MIN concrete cover of reinforcing steel.
- 5mm manufacturing tolerance.
- A-3 concrete exposure class.
- 15MPa MIN stripping strength.
- Standard grade form finish.
- Unformed steel trowel or wood float finish.
- 3 point rigging to meet WORK SAFE BC OHS (Guideline 14/15) requirement.
- Field installation and testing by others.



Description:

Catch Basin Type II

BBY - SI09

Jurisdiction: City of Burnaby

Drawn :

S.d.

Approved :

Rev. No.

Date :

20/09/2016

Load Rating:

N/A

Scale :

1:15

Catalog No.

Dwg. No.

COBBY-2

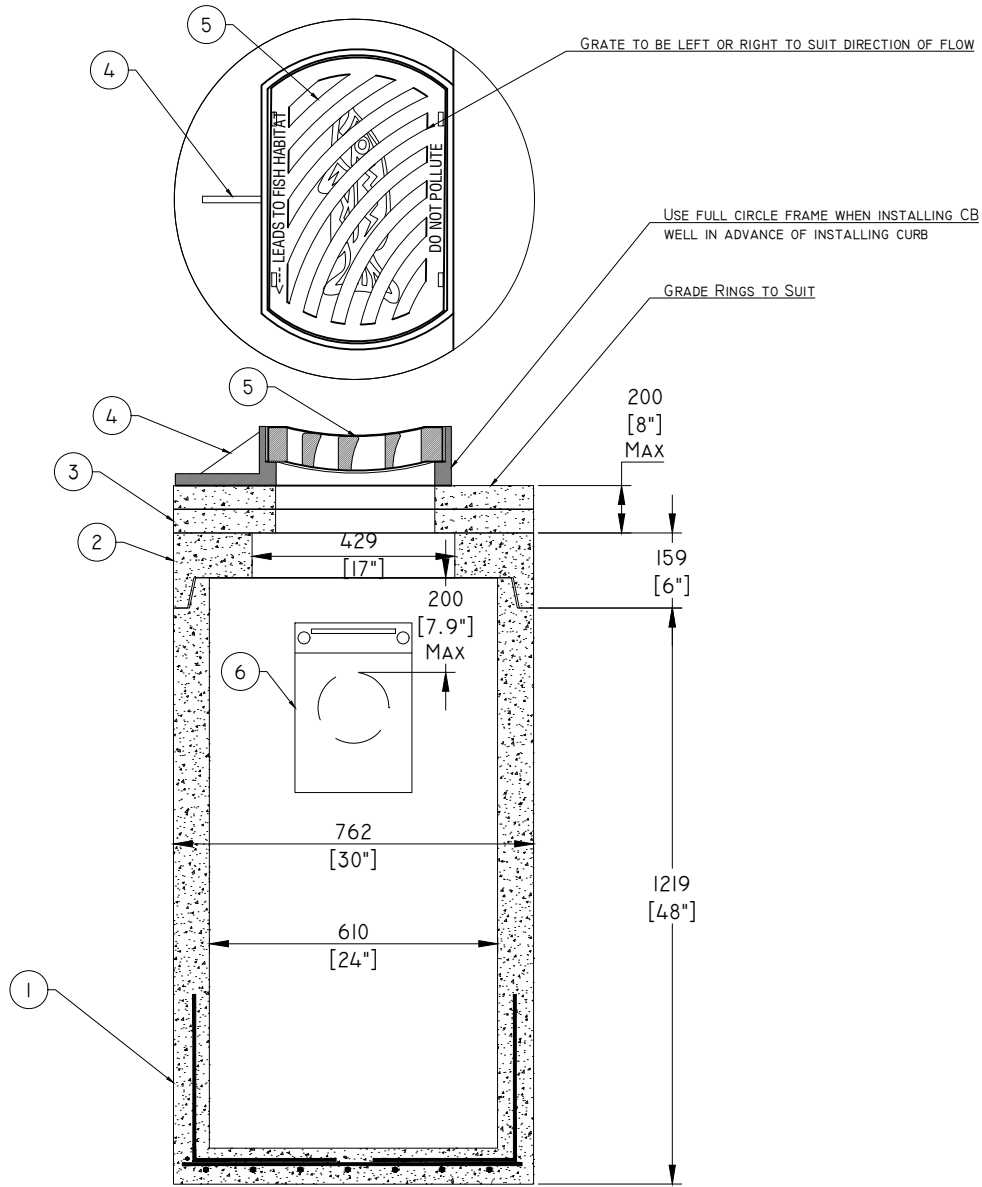
Sheet No.

1 OF 1

7520 Conrad Street Burnaby, B.C. V5A 2H7 Phone : 604-415-5181 Fax : 604-415-5185

www: diamondprecast.com

This drawing is the property of the Diamond Precast Concrete. All information contained herein is confidential and may not be used in whole or in part without written permission from the owner



Specification and General Notes:

1. All components MMCD PLATINUM (Section 33 44 01) compliant and fabricated to CSA CERTIFICATE OF COMPLIANCE (ASTM C478M)
2. All jurisdiction-specific components SUPPLEMENTAL to MMCD PLATINUM fabricated in accordance with CSA CERTIFICATE OF QUALIFICATION (CSA A23.4-09).
3. Components certified to CSA standards (ASTM C478M & CSA A23.4-09) by approved independent third party certification body accredited by Standards Council of Canada.
4. All components marked with certification body logo and CSA standard markings.
5. Testing to ASTM C497/CSA 23.1 & 2-09.
6. 30 MPa MIN compressive strength (MAX 0.5 W/C ratio).
7. Pipe penetrations to be grouted unless otherwise noted
8. 25mm MIN concrete cover of reinforcing steel.
9. 5mm manufacturing tolerance.
10. A-3 concrete exposure class.
11. 15MPa MIN stripping strength.
12. Standard grade form finish.
13. Unformed steel trowel or wood float finish.
14. 3 point rigging to meet WORK SAFE BC OHS (Guideline 14/15) requirement.
15. Field installation and testing by others.

BILL OF MATERIALS			
ITEM	DESCRIPTION	MASS KG	QUANTITY
1	2448CBTT	520	1
2	24DLCGF	834	1
3	CBDR2	24	AS REQ.
4	D24D OR D24F	59	1
5	D23 - GRATE	54	1
6	D-TRAPHOOD	10	1



Description:
Curb Catchbasin Type V
 BBY - S110

Jurisdiction: City of Burnaby

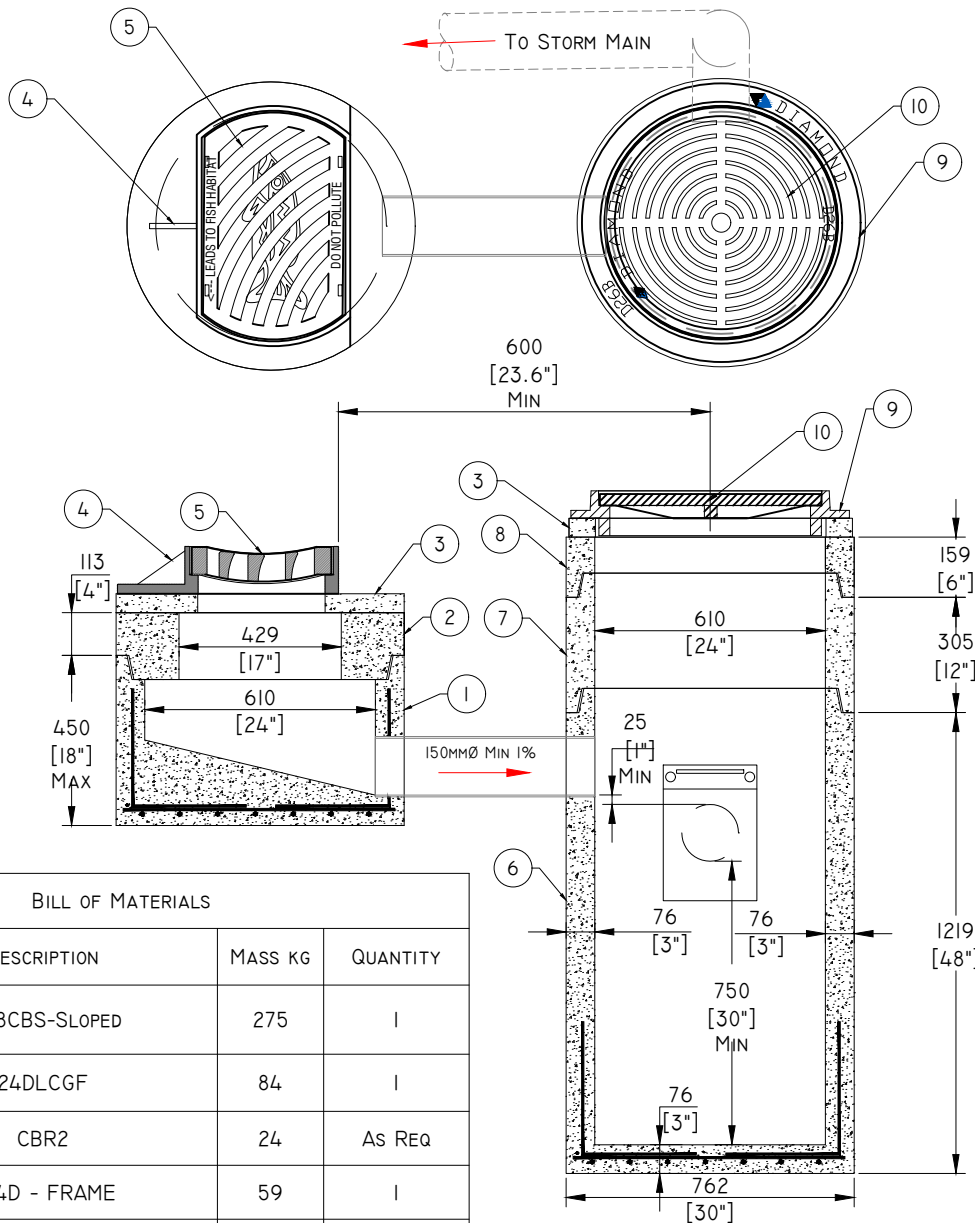
Drawn : S.d.
 Date : 20/09/2016
 Approved :
 Load Rating: H20
 Rev. No.
 Scale : 1:15

Catalog No.
Dwg. No.
CoBBY-3

7520 Conrad Street Burnaby, B.C. V5A 2H7 Phone : 604-415-5181 Fax : 604-415-5185
 www: diamondprecast.com

This drawing is the property of the Diamond Precast Concrete. All information contained herein is confidential and may not be used in whole or in part without written permission from the owner

Sheet No.
 1 OF 1



BILL OF MATERIALS

ITEM	DESCRIPTION	MASS KG	QUANTITY
1	2418CBS-SLOPED	275	1
2	24DLCGF	84	1
3	CBR2	24	AS REQ
4	D24D - FRAME	59	1
5	D23-GRATE	54	1
6	2448CBTT	520	1
7	24DLROF	50	1
8	D26B-FRAME	35	1
9	D26B-COVER	47	1
10	D-TRAPHOOD	10	1

Specification and General Notes:

- All components MMCD PLATINUM (Section 33 44 01) compliant and fabricated to CSA CERTIFICATE OF COMPLIANCE (ASTM C478M)
- All jurisdiction-specific components SUPPLEMENTAL to MMCD PLATINUM fabricated in accordance with CSA CERTIFICATE OF QUALIFICATION (CSA A23.4-09).
- Components certified to CSA standards (ASTM C478M & CSA A23.4-09) by approved independent third party certification body accredited by Standards Council of Canada.
- All components marked with certification body logo and CSA standard markings.
- Testing to ASTM C497/CSA 23.1 & 2-09.
- 30 MPa MIN compressive strength (MAX 0.5 W/C ratio).
- Pipe penetrations to be grouted unless otherwise noted
- 25mm MIN concrete cover of reinforcing steel.
- 5mm manufacturing tolerance.
- A-3 concrete exposure class.
- 15MPa MIN stripping strength.
- Standard grade form finish.
- Unformed steel trowel or wood float finish.
- 3 point rigging to meet WORK SAFE BC OHS (Guideline 14/15) requirement.
- Field installation and testing by others.



Description:

Offset Sump Catchbasin Type VII

BBY - SIII

Jurisdiction: City of Burnaby

Drawn :

S.d.

Approved :

Rev. No.

Date :

20/09/2016

Load Rating:

H20

Scale :

1:20

Catalog No.

Dwg. No.

COBBY-4

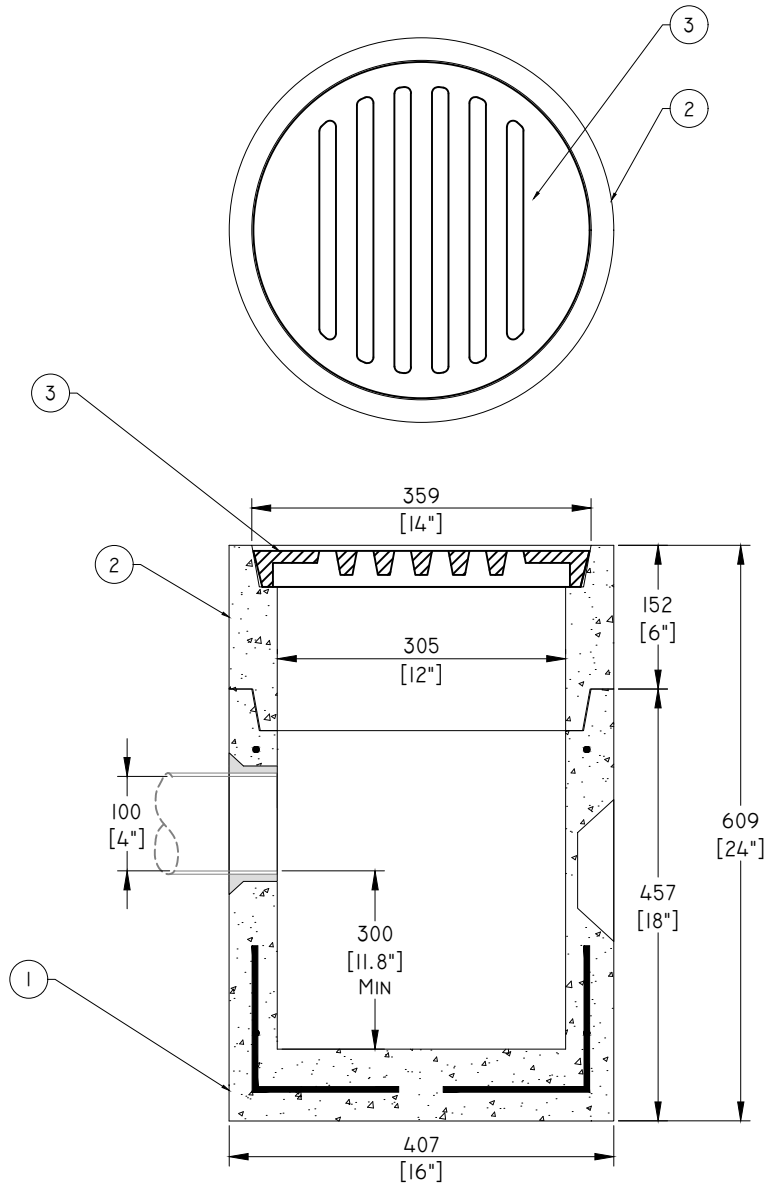
Sheet No.

1 OF 1

7520 Conrad Street Burnaby, B.C. V5A 2H7 Phone : 604-415-5181 Fax : 604-415-5185

www: diamondprecast.com

This drawing is the property of the Diamond Precast Concrete. All information contained herein is confidential and may not be used in whole or in part without written permission from the owner



Specification and General Notes:

1. All components MMCD PLATINUM (Section 33 44 01) compliant and fabricated to CSA CERTIFICATE OF COMPLIANCE (ASTM C478M)
2. All jurisdiction-specific components SUPPLEMENTAL to MMCD PLATINUM fabricated in accordance with CSA CERTIFICATE OF QUALIFICATION (CSA A23.4-09).
3. Components certified to CSA standards (ASTM C478M & CSA A23.4-09) by approved independent third party certification body accredited by Standards Council of Canada.
4. All components marked with certification body logo and CSA standard markings.
5. Testing to ASTM C497/CSA 23.1 & 2-09.
6. 30 MPa MIN compressive strength (MAX 0.5 W/C ratio).
7. Pipe penetrations to be grouted unless otherwise noted
8. 25mm MIN concrete cover of reinforcing steel.
9. 5mm manufacturing tolerance.
10. A-3 concrete exposure class.
11. 15MPa MIN stripping strength.
12. Standard grade form finish.
13. Unformed steel trowel or wood float finish.
14. 3 point rigging to meet WORK SAFE BC OHS (Guideline 14/15) requirement.
15. Field installation and testing by others.

BILL OF MATERIALS

ITEM	DESCRIPTION	MASS KG	QUANTITY
1	NI2I8S-B	275	1
2	NI2I8R-B	84	1
3	DNI4-GRATE	59	1



Description:

Lawn Basin

BBY - SII2

Jurisdiction: City of Burnaby

Drawn :

S.d.

Approved :

Rev. No.

Date :

20/09/2016

Load Rating:

N/A

Scale :

1:8

Catalog No.

Dwg. No.

COBBY-5

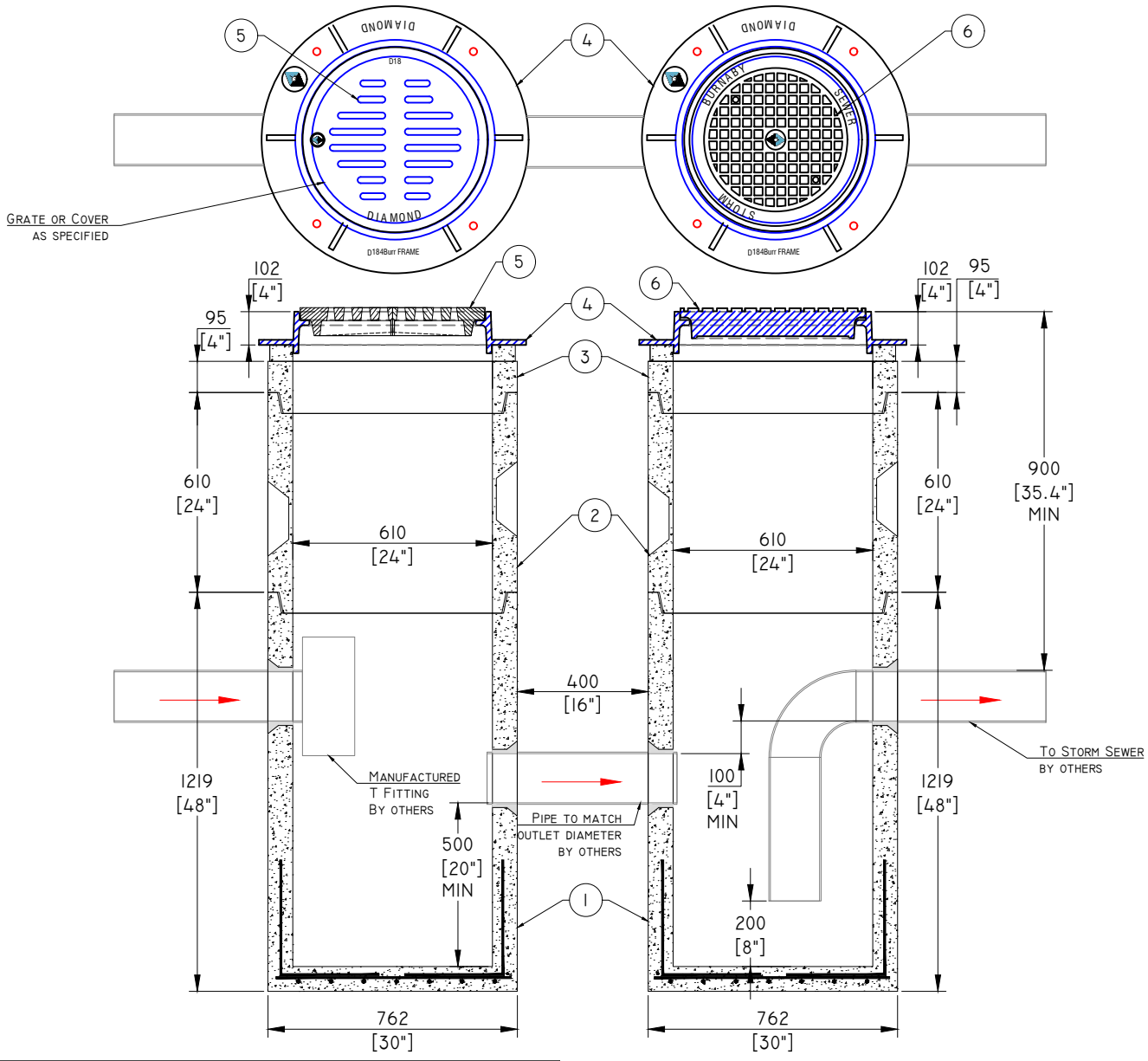
Sheet No.

1 OF 1

7520 Conrad Street Burnaby, B.C. V5A 2H7 Phone : 604-415-5181 Fax : 604-415-5185

www: diamondprecast.com

This drawing is the property of the Diamond Precast Concrete. All information contained herein is confidential and may not be used in whole or in part without written permission from the owner



BILL OF MATERIALS

ITEM	DESCRIPTION	MASS KG	QUANTITY
1	2448CBS	520	2
2	2406R, 2412R, 2424R, 2436R		AS REQ
3	24DLROM	49	2
4	DI84BURR-FRAME	70	2
5	DI8-GRATE	48	1
6	DI8BURR-STORM	65	1

Specification and General Notes:

- Maximum paved area serviced: 600m²
- All components MMCD PLATINUM (Section 33 44 01) compliant and fabricated to CSA CERTIFICATE OF COMPLIANCE (ASTM C478M)
- All jurisdiction-specific components SUPPLEMENTAL to MMCD PLATINUM fabricated in accordance with CSA CERTIFICATE OF QUALIFICATION (CSA A23.4-09).
- Components certified to CSA standards (ASTM C478M & CSA A23.4-09) by approved independent third party certification body accredited by Standards Council of Canada.
- All components marked with certification body logo and CSA standard markings.
- Testing to ASTM C497/CSA 23.1 & 2-09.
- 30 MPa MIN compressive strength (MAX 0.5 W/C ratio).
- Pipe penetrations to be grouted unless otherwise noted
- 25mm MIN concrete cover of reinforcing steel.
- 5mm manufacturing tolerance.
- A-3 concrete exposure class.
- 15MPa MIN stripping strength.
- Standard grade form finish.
- Unformed steel trowel or wood float finish.
- 3 point rigging to meet WORK SAFE BC OHS (Guideline 14/15) requirement.
- Field installation and testing by others.



Description:

Oil Interceptor 600mm

BBY - SII9

Jurisdiction: City of Burnaby

Drawn :

S.d.

Approved :

Rev. No.

Date :

20/09/2016

Load Rating:

N/A

Scale :

1:15

Catalog No.

Dwg. No.

COBBY-6

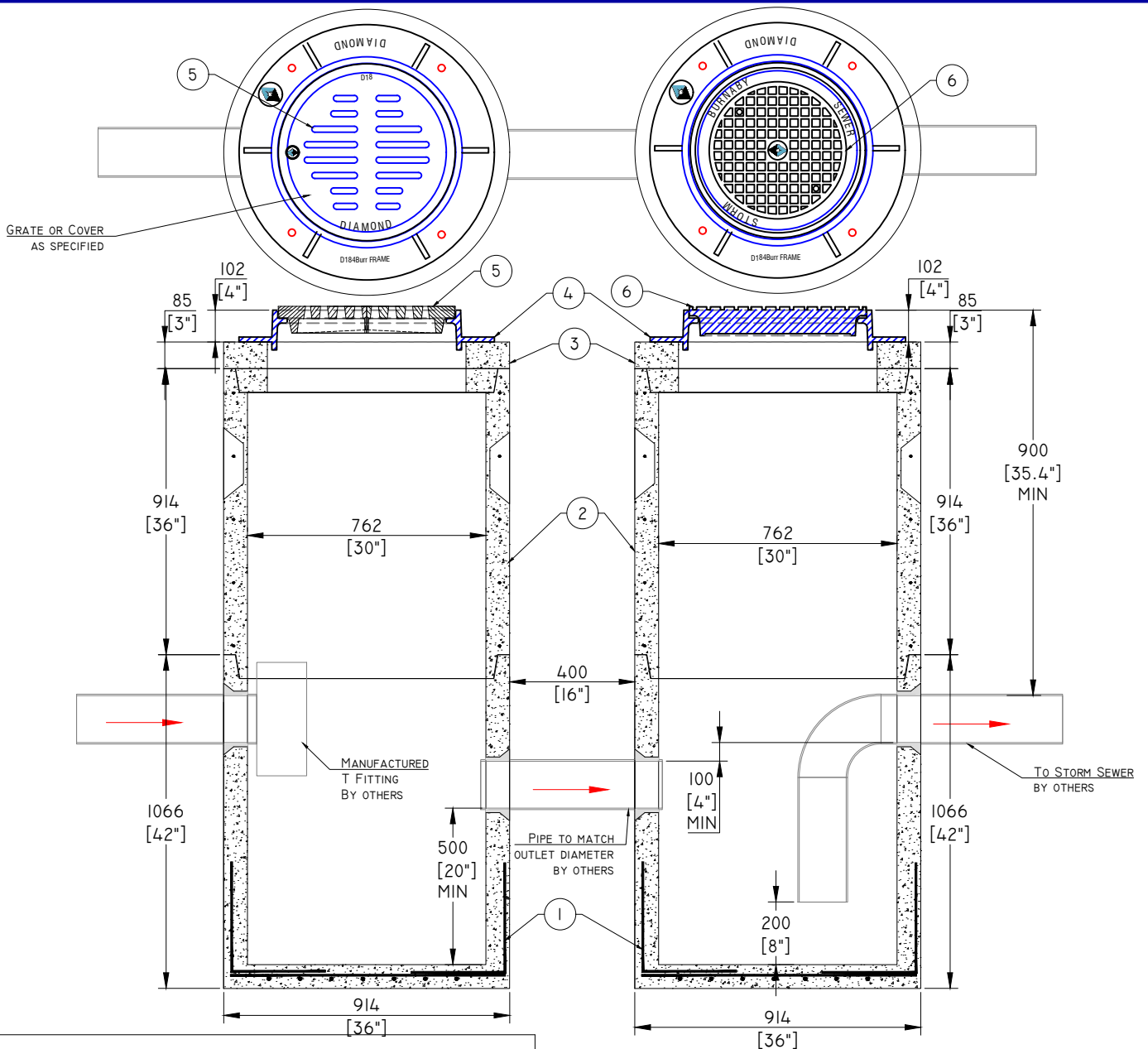
7520 Conrad Street Burnaby, B.C. V5A 2H7 Phone : 604-415-5181 Fax : 604-415-5185

www: diamondprecast.com

This drawing is the property of the Diamond Precast Concrete. All information contained herein is confidential and may not be used in whole or in part without written permission from the owner

Sheet No.

1 OF 1



BILL OF MATERIALS

ITEM	DESCRIPTION	MASS KG	QUANTITY
1	3042CBOI	520	2
2	3006R, 3012R, 3024R, 3036R		AS REQ
3	30DLROM	49	2
4	DI84BURR-FRAME	70	2
5	DI8-GRATE	48	1
6	DI8BURR-STORM	65	1

Specification and General Notes:

- Maximum paved area serviced: 1750m²
- All components MMCD PLATINUM (Section 33 44 01) compliant and fabricated to CSA CERTIFICATE OF COMPLIANCE (ASTM C478M)
- All jurisdiction-specific components SUPPLEMENTAL to MMCD PLATINUM fabricated in accordance with CSA CERTIFICATE OF QUALIFICATION (CSA A23.4-09).
- Components certified to CSA standards (ASTM C478M & CSA A23.4-09) by approved independent third party certification body accredited by Standards Council of Canada.
- All components marked with certification body logo and CSA standard markings.
- Testing to ASTM C497/CSA 23.1 & 2-09.
- 30 MPa MIN compressive strength (MAX 0.5 W/C ratio).
- Pipe penetrations to be grouted unless otherwise noted
- 25mm MIN concrete cover of reinforcing steel.
- 5mm manufacturing tolerance.
- A-3 concrete exposure class.
- 15MPa MIN stripping strength.
- Standard grade form finish.
- Unformed steel trowel or wood float finish.
- 3 point rigging to meet WORK SAFE BC OHS (Guideline 14/15) requirement.
- Field installation and testing by others.



Description:

Oil Interceptor 750mm

BBY - SII9

Jurisdiction: City of Burnaby

Drawn :

S.d.

Approved :

Rev. No.

Date :

20/09/2016

Load Rating:

N/A

Scale :

1:15

Catalog No.

Dwg. No.

CoBBY-7

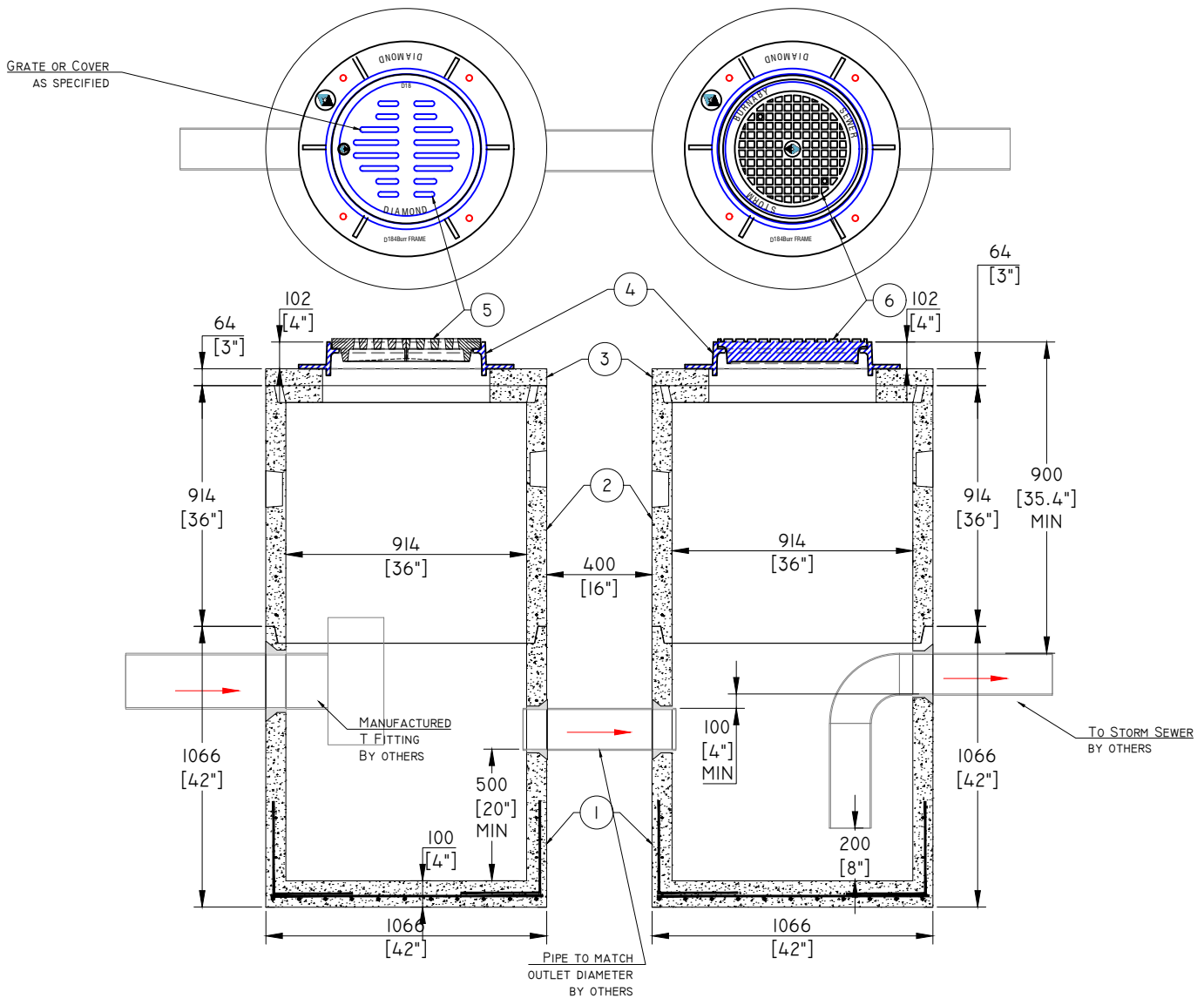
Sheet No.

1 OF 1

7520 Conrad Street Burnaby, B.C. V5A 2H7 Phone : 604-415-5181 Fax : 604-415-5185

www: diamondprecast.com

This drawing is the property of the Diamond Precast Concrete. All information contained herein is confidential and may not be used in whole or in part without written permission from the owner



BILL OF MATERIALS

ITEM	DESCRIPTION	MASS KG	QUANTITY
1	3642CBOI	520	2
2	3606R, 3612R, 3624R, 3636R		AS REQ
3	36DLROM	49	2
4	DI84BURR-FRAME	70	2
5	DI8-GRATE	48	1
6	DI8BURR-STORM	65	1

Specification and General Notes:

- Maximum paved area serviced: 3700m²
- All components MMCD PLATINUM (Section 33 44 01) compliant and fabricated to CSA CERTIFICATE OF COMPLIANCE (ASTM C478M)
- All jurisdiction-specific components SUPPLEMENTAL to MMCD PLATINUM fabricated in accordance with CSA CERTIFICATE OF QUALIFICATION (CSA A23.4-09).
- Components certified to CSA standards (ASTM C478M & CSA A23.4-09) by approved independent third party certification body accredited by Standards Council of Canada.
- All components marked with certification body logo and CSA standard markings.
- Testing to ASTM C497/CSA 23.1 & 2-09.
- 30 MPa MIN compressive strength (MAX 0.5 W/C ratio).
- Pipe penetrations to be grouted unless otherwise noted
- 25mm MIN concrete cover of reinforcing steel.
- 5mm manufacturing tolerance.
- A-3 concrete exposure class.
- 15MPa MIN stripping strength.
- Standard grade form finish.
- Unformed steel trowel or wood float finish.
- 3 point rigging to meet WORK SAFE BC OHS (Guideline 14/15) requirement.
- Field installation and testing by others.



Description:

Oil Interceptor 900mm

BBY - SII9

Jurisdiction: City of Burnaby

Drawn :

S.d.

Approved :

Rev. No.

Date :

20/09/2016

Load Rating:

N/A

Scale :

1:15

Catalog No.

Dwg. No.

COBBY-8

Sheet No.

1 OF 1

7520 Conrad Street Burnaby, B.C. V5A 2H7 Phone : 604-415-5181 Fax : 604-415-5185

www: diamondprecast.com

This drawing is the property of the Diamond Precast Concrete. All information contained herein is confidential and may not be used in whole or in part without written permission from the owner