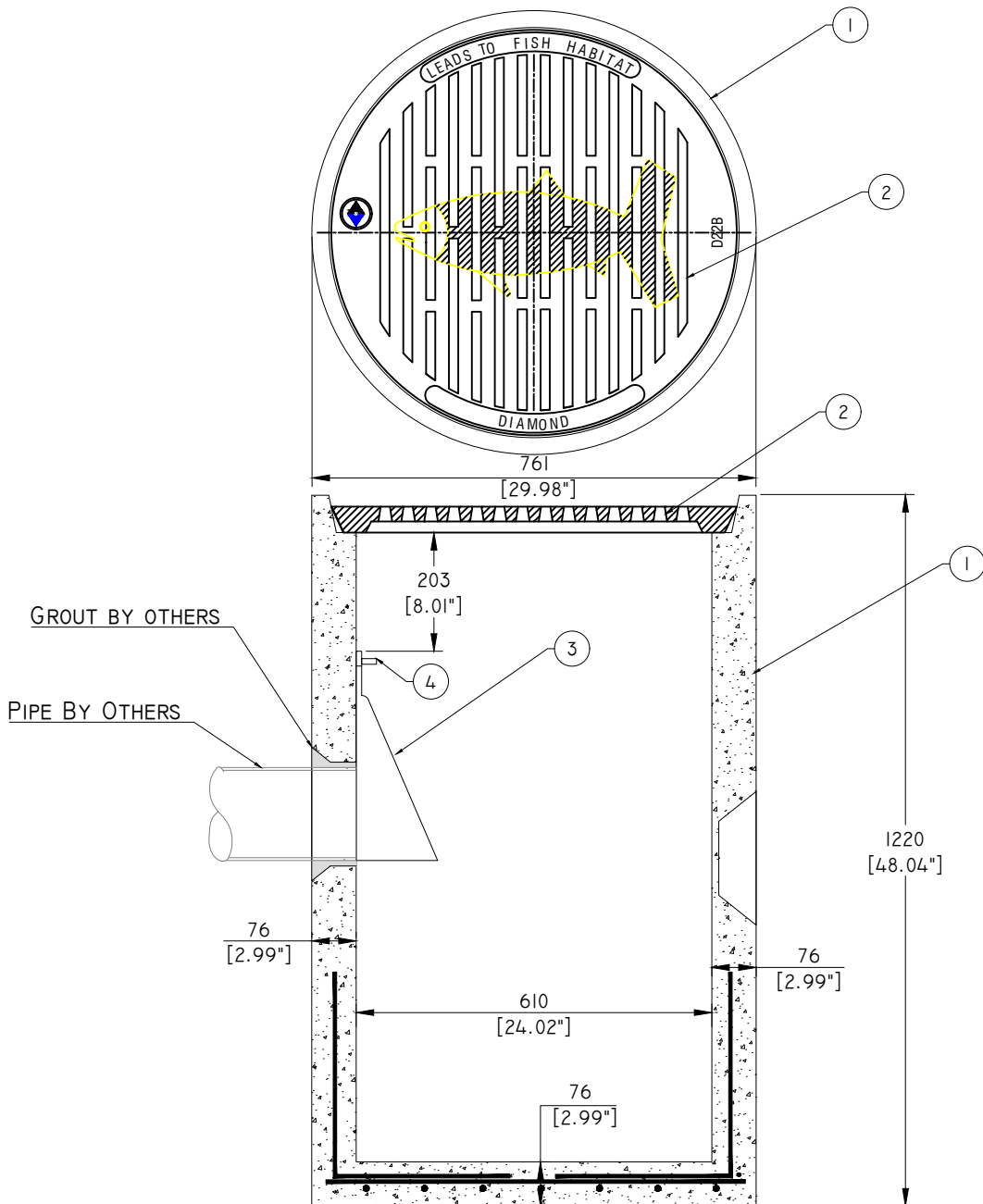


BILL OF MATERIALS			
ITEM	DESCRIPTION	MASS KG	QUANTITY
1	4836B	1638	1
2	4848R	1453	AS REQ.
3	4812DL	703	1
4	MHR2	47	AS REQ.
5	DI84ABB-FRAME	87	1
6	DI8ABB-STORM	63	1
7	DNTVB-BI2	15	1
8	DNTVB-LIDP	6	1

- Specification and General Notes:**
- All components MMCD PLATINUM (Section 33 44 01) compliant and fabricated to CSA CERTIFICATE OF COMPLIANCE (ASTM C478M)
 - All jurisdiction-specific components SUPPLEMENTAL to MMCD PLATINUM fabricated in accordance with CSA CERTIFICATE OF QUALIFICATION (CSA A23.4-09).
 - Components certified to CSA standards (ASTM C478M & CSA A23.4-09) by approved independent third party certification body accredited by Standards Council of Canada.
 - All components marked with certification body logo and CSA standard markings.
 - Testing to ASTM C497/CSA 23.1 & 2-09.
 - 30 MPa MIN compressive strength (MAX 0.5 W/C ratio).
 - Pipe penetrations to be grouted unless otherwise noted
 - 25mm MIN concrete cover of reinforcing steel.
 - 5mm manufacturing tolerance.
 - A-3 concrete exposure class.
 - 15MPa MIN stripping strength.
 - Standard grade form finish.
 - Unformed steel trowel or wood float finish.
 - 3 point rigging to meet WORK SAFE BC OHS (Guideline 14/15) requirement.
 - Field installation and testing by others.

	Description: Flow Control Manhole CS - D - 2	Drawn : S.d.	Date : 20/09/2016	Catalog No.
	Jurisdiction: City of Abbotsford	Approved :	Load Rating: N/A	
	7520 Conrad Street Burnaby, B.C. V5A 2H7 Phone : 604-415-5181 Fax : 604-415-5185 www: diamondconcrete.ca	Rev. No.	Scale : 1:25	Sheet No. 1 OF 1

This drawing is the property of the Diamond Precast Concrete. All information contained herein is confidential and may not be used in whole or in part without written permission from the owner



Specification and General Notes:

1. All components MMCD PLATINUM (Section 33 44 01) compliant and fabricated to CSA CERTIFICATE OF COMPLIANCE (ASTM C478M)
2. All jurisdiction-specific components SUPPLEMENTAL to MMCD PLATINUM fabricated in accordance with CSA CERTIFICATE OF QUALIFICATION (CSA A23.4-09).
3. Components certified to CSA standards (ASTM C478M & CSA A23.4-09) by approved independent third party certification body accredited by Standards Council of Canada.
4. All components marked with certification body logo and CSA standard markings.
5. Testing to ASTM C497/CSA 23.1 & 2-09.
6. 30 MPa MIN compressive strength (MAX 0.5 W/C ratio).
7. Pipe penetrations to be grouted unless otherwise noted
8. 25mm MIN concrete cover of reinforcing steel.
9. 5mm manufacturing tolerance.
10. A-3 concrete exposure class.
11. 15MPa MIN stripping strength.
12. Standard grade form finish.
13. Unformed steel trowel or wood float finish.
14. 3 point rigging to meet WORK SAFE BC OHS (Guideline 14/15) requirement
15. Field installation and testing by others.

BILL OF MATERIALS

ITEM	DESCRIPTION	MASS KG	QUANTITY
1	2448CBS	520	1
2	D22B-GRATE	48	1
3	D-TRAPHOOD	10	1
4	TRHDP	<1	2



Description:

Ditch Catch Basin Type I

CS - D - 8

Jurisdiction: City of Abbotsford

Drawn :

S.d.

Date :

20/09/2016

Catalog No.

Approved :

Load Rating:

N/A

Dwg. No.

CoAbb-2

Rev. No.

Scale :

1:12

Sheet No.

1 OF 1

7520 Conrad Street

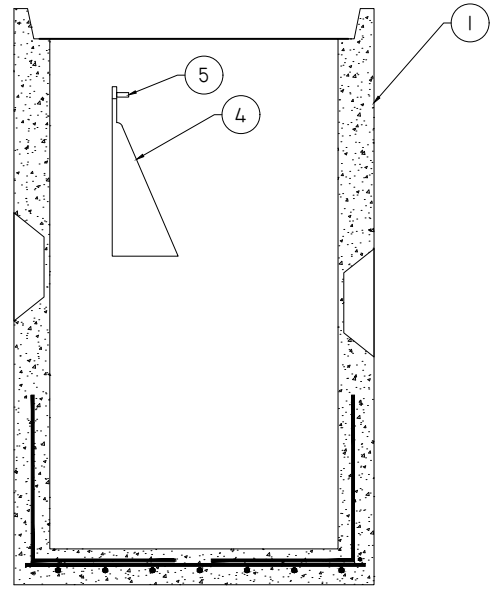
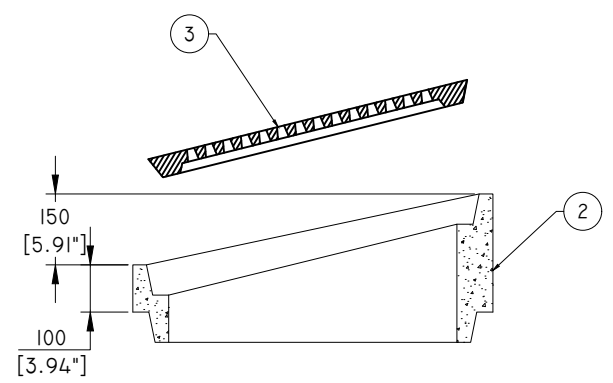
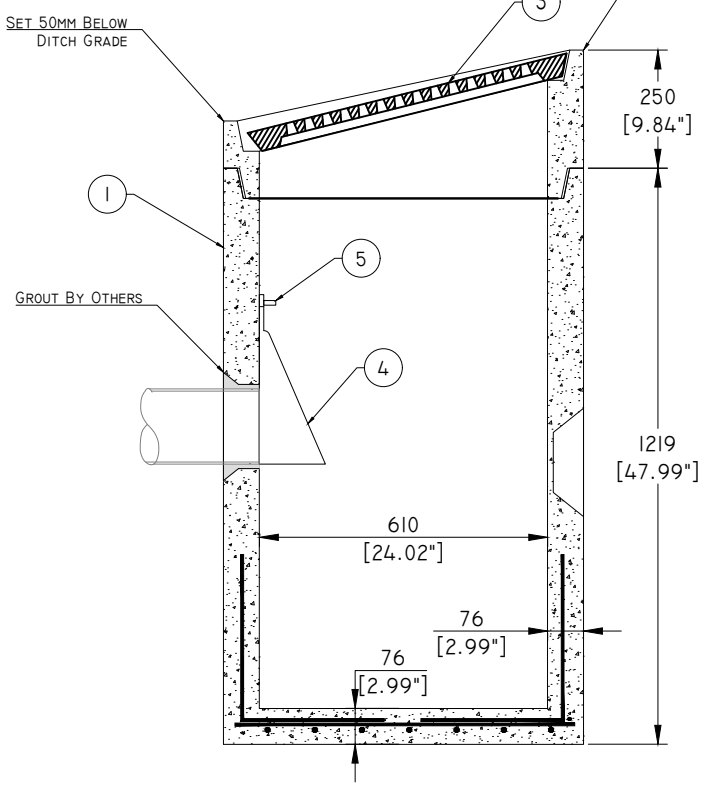
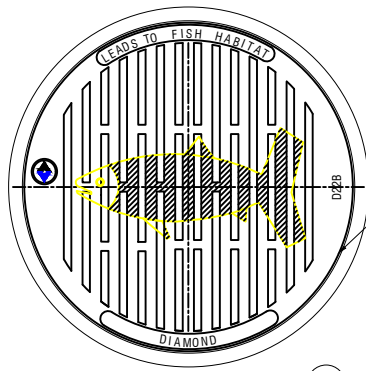
Burnaby, B.C. V5A 2H7

Phone : 604-415-5181

Fax : 604-415-5185

www: diamondconcrete.ca

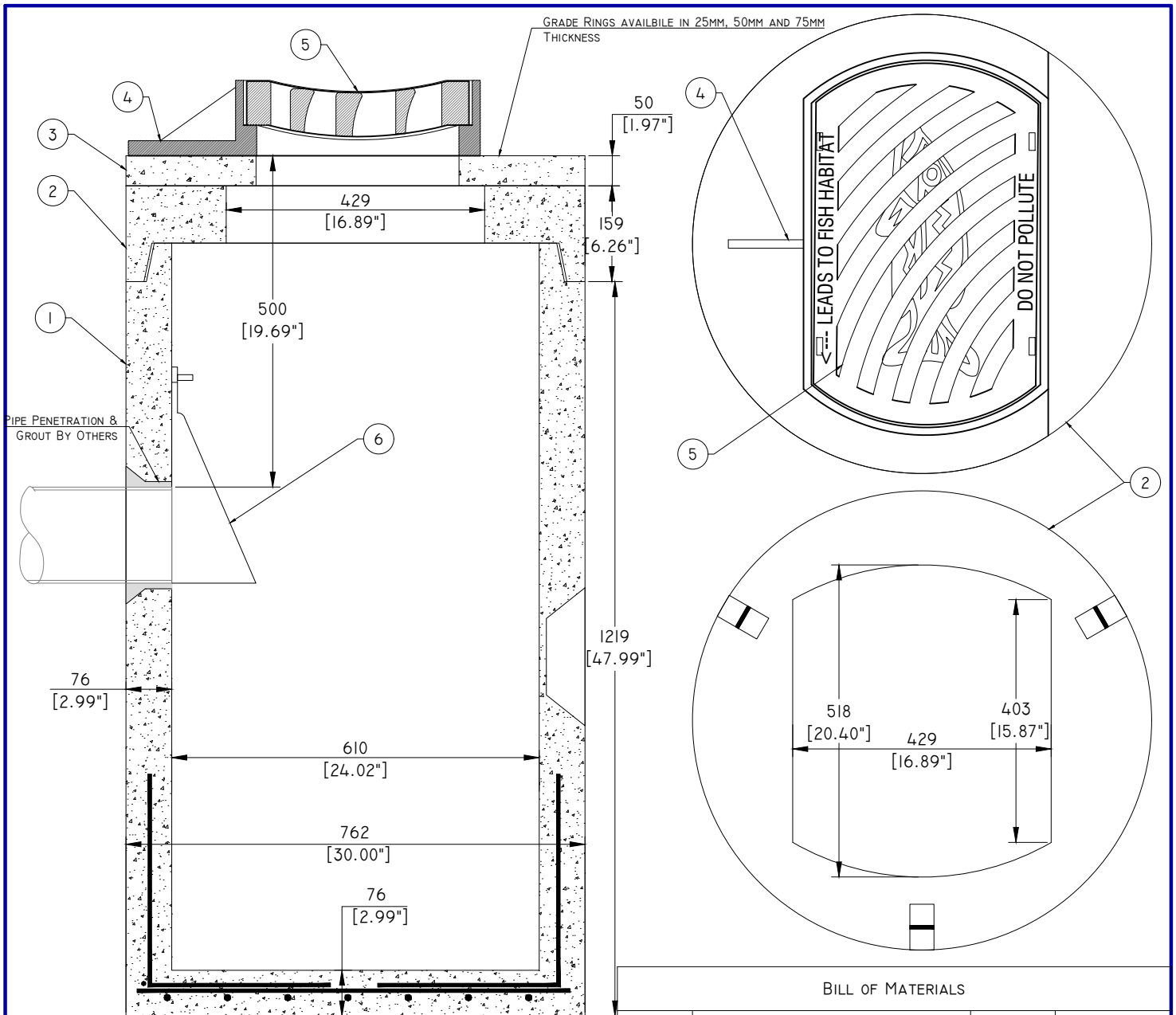
This drawing is the property of the Diamond Precast Concrete. All information contained herein is confidential and may not be used in whole or in part without written permission from the owner



- Specification and General Notes:**
1. All components MMCD PLATINUM (Section 33 44 01) compliant and fabricated to CSA CERTIFICATE OF COMPLIANCE (ASTM C478M)
 2. All jurisdiction-specific components SUPPLEMENTAL to MMCD PLATINUM fabricated in accordance with CSA CERTIFICATE OF QUALIFICATION (CSA A23.4-09).
 3. Components certified to CSA standards (ASTM C478M & CSA A23.4-09) by approved independent third party certification body accredited by Standards Council of Canada.
 4. All components marked with certification body logo and CSA standard markings.
 5. Testing to ASTM C497/CSA 23.1 & 2-09.
 6. 30 MPa MIN compressive strength (MAX 0.5 W/C ratio).
 7. Pipe penetrations to be grouted unless otherwise noted
 8. 25mm MIN concrete cover of reinforcing steel.
 9. 5mm manufacturing tolerance.
 10. A-3 concrete exposure class.
 11. 15MPa MIN stripping strength.
 12. Standard grade form finish.
 13. Unformed steel trowel or wood float finish.
 14. 3 point rigging to meet WORK SAFE BC OHS (Guideline 14/15) requirement
 15. Field installation and testing by others.

BILL OF MATERIALS			
ITEM	DESCRIPTION	MASS KG	QUANTITY
1	2448CBS	520	1
2	2410R-SLOPED	92	1
3	D22B-GRATE	48	1
4	D-TRAPHOOD	10	1
5	TRHDP	<1	2

<p>DIAMOND PRECAST CONCRETE</p>	<p>Description:</p> <p>Ditch Catch Basin Type II</p> <p>CS - D - 10</p>	<p>Drawn : S.d.</p> <p>Approved :</p> <p>Rev. No.</p>	<p>Date : 20/09/2016</p> <p>Load Rating: N/A</p> <p>Scale : 1:16</p>	<p>Catalog No.</p> <hr/> <p>Dwg. No.</p> <p>CoAbb-3</p>
	<p>Jurisdiction: City of Abbotsford</p>	<p>7520 Conrad Street Burnaby, B.C. V5A 2H7 Phone : 604-415-5181 Fax : 604-415-5185</p> <p>www.diamondconcrete.ca</p>	<p>This drawing is the property of the Diamond Precast Concrete. All information contained herein is confidential and may not be used in whole or in part without written permission from the owner</p>	
				<p>Sheet No. 1 OF 1</p>



Specification and General Notes:

- All components MMCD PLATINUM (Section 33 44 01) compliant and fabricated to CSA CERTIFICATE OF COMPLIANCE (ASTM C478M)
- All jurisdiction-specific components SUPPLEMENTAL to MMCD PLATINUM fabricated in accordance with CSA CERTIFICATE OF QUALIFICATION (CSA A23.4-09).
- Components certified to CSA standards (ASTM C478M & CSA A23.4-09) by approved independent third party certification body accredited by Standards Council of Canada.
- All components marked with certification body logo and CSA standard markings.
- Testing to ASTM C497/CSA 23.1 & 2-09.
- 30 MPa MIN compressive strength (MAX 0.5 W/C ratio).
- Pipe penetrations to be grouted unless otherwise noted
- 25mm MIN concrete cover of reinforcing steel.
- 5mm manufacturing tolerance.
- A-3 concrete exposure class.
- 15MPa MIN stripping strength.
- Standard grade form finish.
- Unformed steel trowel or wood float finish.
- 3 point rigging to meet WORK SAFE BC OHS (Guideline 14/15) requirement
- Field installation and testing by others.



Description:
Standard Top Inlet Catch Basin

CS - D - 14

Jurisdiction: City of Abbotsford

Drawn :

S.d.

Date :

20/09/2016

Catalog No.

Approved :

Load Rating:

N/A

Dwg. No.

Rev. No.

Scale :

1:10

CoAbb-4

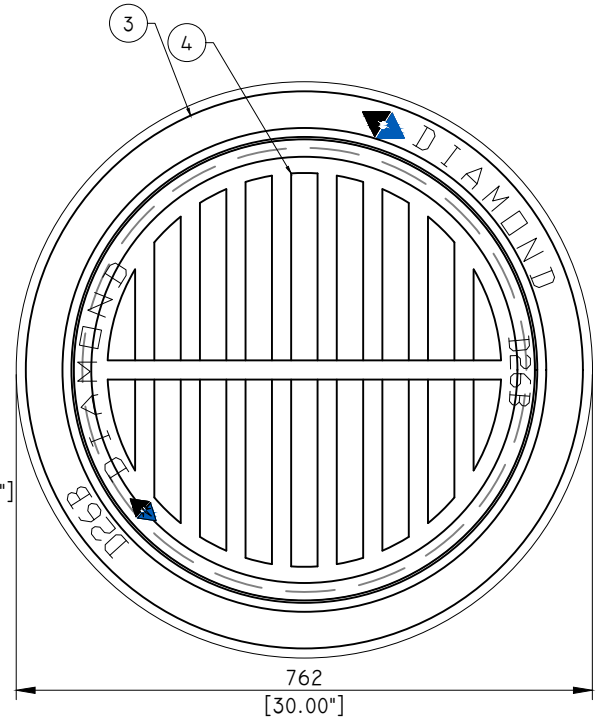
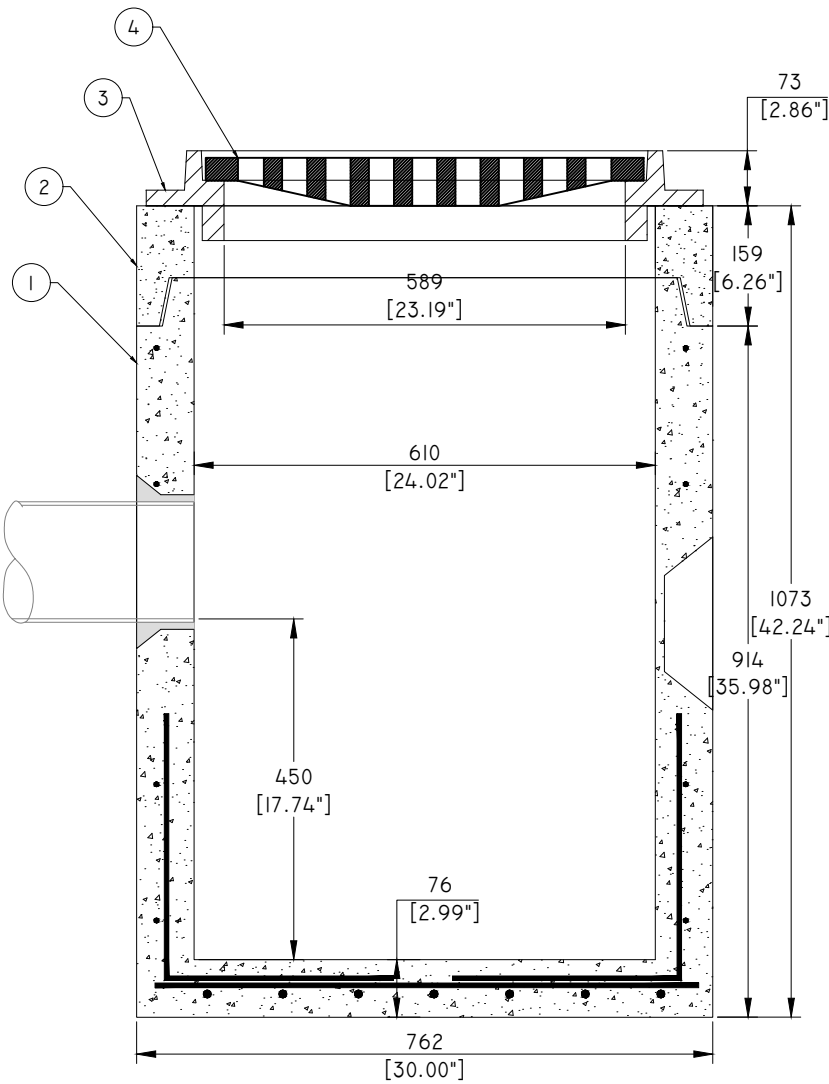
7520 Conrad Street Burnaby, B.C. V5A 2H7 Phone : 604-415-5181 Fax : 604-415-5185

www: diamondconcrete.ca

This drawing is the property of the Diamond Precast Concrete. All information contained herein is confidential and may not be used in whole or in part without written permission from the owner

Sheet No.

1 OF 1



Specification and General Notes:

1. All components MMCD PLATINUM (Section 33 44 01) compliant and fabricated to CSA CERTIFICATE OF COMPLIANCE (ASTM C478M)
2. All jurisdiction-specific components SUPPLEMENTAL to MMCD PLATINUM fabricated in accordance with CSA CERTIFICATE OF QUALIFICATION (CSA A23.4-09).
3. Components certified to CSA standards (ASTM C478M & CSA A23.4-09) by approved independent third party certification body accredited by Standards Council of Canada.
4. All components marked with certification body logo and CSA standard markings.
5. Testing to ASTM C497/CSA 23.1 & 2-09.
6. 30 MPa MIN compressive strength (MAX 0.5 W/C ratio).
7. Pipe penetrations to be grouted unless otherwise noted
8. 25mm MIN concrete cover of reinforcing steel.
9. 5mm manufacturing tolerance.
10. A-3 concrete exposure class.
11. 15MPa MIN stripping strength.
12. Standard grade form finish.
13. Unformed steel trowel or wood float finish.
14. 3 point rigging to meet WORK SAFE BC OHS (Guideline 14/15) requirement
15. Field installation and testing by others.

BILL OF MATERIALS

ITEM	DESCRIPTION	MASS KG	QUANTITY
1	2436CBTT	391	1
2	24DLROF	84	1
3	D26B-FRAME	35	1
4	D26B-GRATE	49	1



Description:
Standard C.B. No Curb & Parking Lot

CS - D - 15

Jurisdiction: City of Abbotsford

Drawn :
S.d.

Date :
20/09/2016

Catalog No.

Approved :
N/A

Load Rating:
N/A

Dwg. No.
CoAbb-5

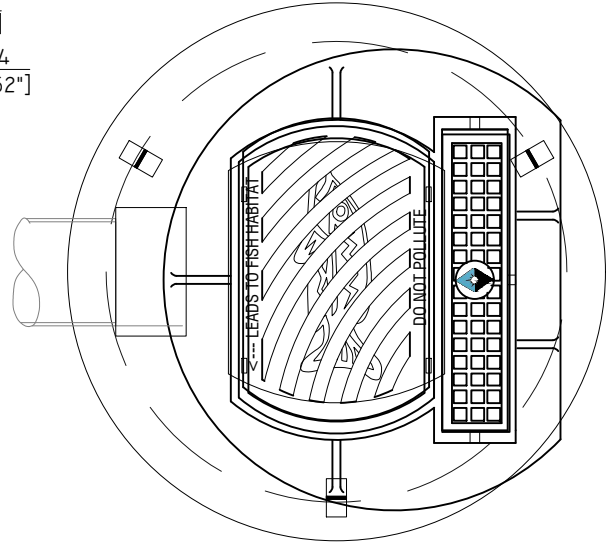
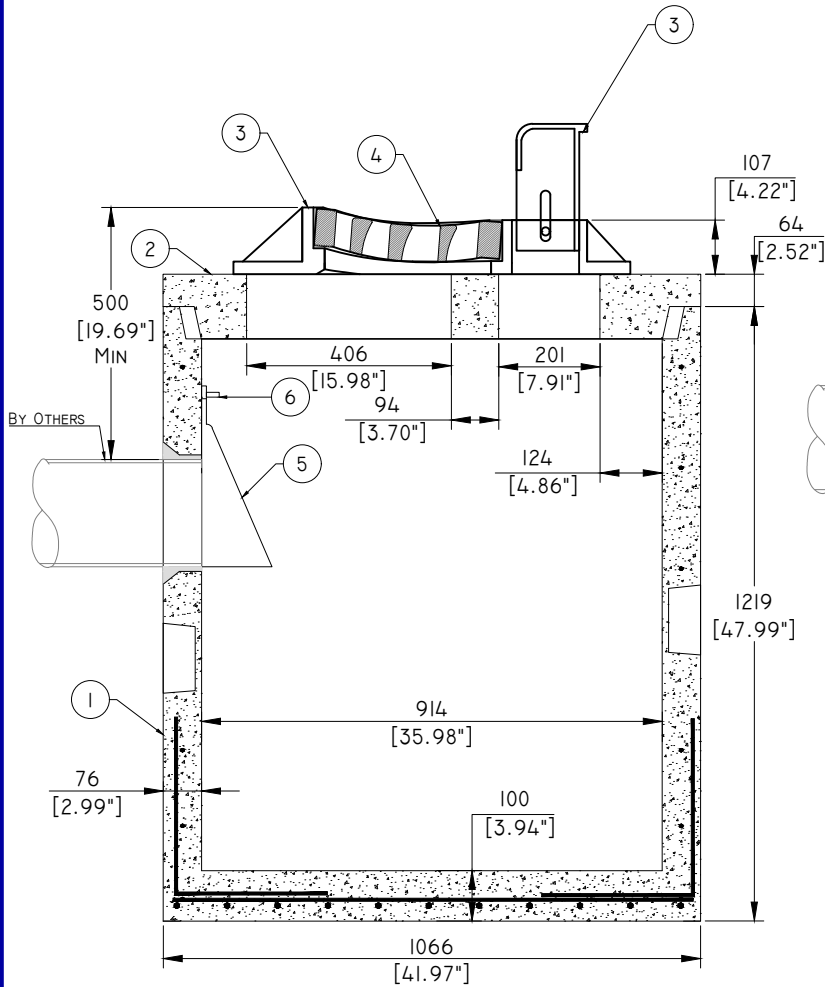
Rev. No.

Scale :
1:10

7520 Conrad Street Burnaby, B.C. V5A 2H7 Phone : 604-415-5181 Fax : 604-415-5185
 www: diamondconcrete.ca

This drawing is the property of the Diamond Precast Concrete. All information contained herein is confidential and may not be used in whole or in part without written permission from the owner

Sheet No.
1 OF 1



Specification and General Notes:

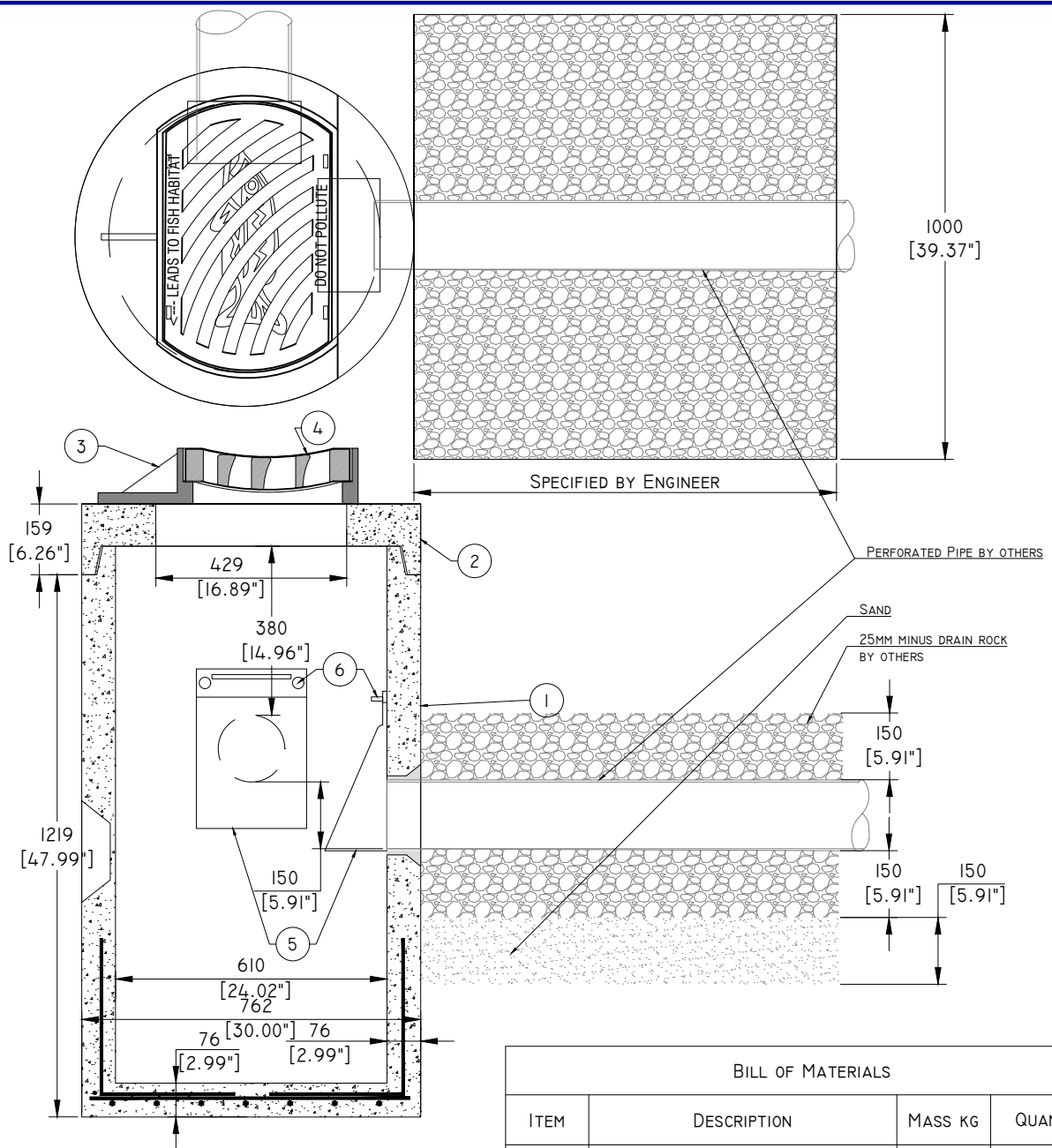
1. All components MMCD PLATINUM (Section 33 44 01) compliant and fabricated to CSA CERTIFICATE OF COMPLIANCE (ASTM C478M)
2. All jurisdiction-specific components SUPPLEMENTAL to MMCD PLATINUM fabricated in accordance with CSA CERTIFICATE OF QUALIFICATION (CSA A23.4-09).
3. Components certified to CSA standards (ASTM C478M & CSA A23.4-09) by approved independent third party certification body accredited by Standards Council of Canada.
4. All components marked with certification body logo and CSA standard markings.
5. Testing to ASTM C497/CSA 23.1 & 2-09.
6. 30 MPa MIN compressive strength (MAX 0.5 W/C ratio).
7. Pipe penetrations to be grouted unless otherwise noted
8. 25mm MIN concrete cover of reinforcing steel.
9. 5mm manufacturing tolerance.
10. A-3 concrete exposure class.
11. 15MPa MIN stripping strength.
12. Standard grade form finish.
13. Unformed steel trowel or wood float finish.
14. 3 point rigging to meet WORK SAFE BC OHS (Guideline 14/15) requirement
15. Field installation and testing by others.

BILL OF MATERIALS

ITEM	DESCRIPTION	MASS KG	QUANTITY
1	3648CBS	897	1
2	36DLSIM	152	1
3	D24ADJ-FRAME	127	1
4	D23-GRATE	49	1
5	D-TRAPHOOD	10	1
6	TRHDP	<1	2

	Description: Standard Side Inlet Catch Basin CS - D - 17	Drawn : S.d.	Date : 20/09/2016	Catalog No. Dwg. No. CoAbb-7
	Jurisdiction: City of Abbotsford	Approved : N/A	Load Rating: N/A	
7520 Conrad Street Burnaby, B.C. V5A 2H7 Phone : 604-415-5181 Fax : 604-415-5185 www: diamondconcrete.ca		Rev. No.	Scale : 1:15	Sheet No. 1 OF 1

This drawing is the property of the Diamond Precast Concrete. All information contained herein is confidential and may not be used in whole or in part without written permission from the owner



Specification and General Notes:

1. All components MMCD PLATINUM (Section 33 44 01) compliant and fabricated to CSA CERTIFICATE OF COMPLIANCE (ASTM C478M)
2. All jurisdiction-specific components SUPPLEMENTAL to MMCD PLATINUM fabricated in accordance with CSA CERTIFICATE OF QUALIFICATION (CSA A23.4-09).
3. Components certified to CSA standards (ASTM C478M & CSA A23.4-09) by approved independent third party certification body accredited by Standards Council of Canada.
4. All components marked with certification body logo and CSA standard markings.
5. Testing to ASTM C497/CSA 23.1 & 2-09.
6. 30 MPa MIN compressive strength (MAX 0.5 W/C ratio).
7. Pipe penetrations to be grouted unless otherwise noted
8. 25mm MIN concrete cover of reinforcing steel.
9. 5mm manufacturing tolerance.
10. A-3 concrete exposure class.
11. 15MPa MIN stripping strength.
12. Standard grade form finish.
13. Unformed steel trowel or wood float finish.
14. 3 point rigging to meet WORK SAFE BC OHS (Guideline 14/15) requirement
15. Field installation and testing by others.

BILL OF MATERIALS			
ITEM	DESCRIPTION	MASS KG	QUANTITY
1	2448CBTT	520	1
2	24DLCGF	84	1
3	D24D-FRAME	59	1
4	D23-GRATE	54	1
5	D-TRAPHOOD	10	2
6	TRHDP	<1	4



Description:

Standard Side Inlet Catch Basin

CS - D - 25

Jurisdiction: City of Abbotsford

Drawn :

S.d.

Date :

20/09/2016

Catalog No.

Approved :

Load Rating:

N/A

Dwg. No.

Rev. No.

Scale :

1:15

CoAbb-8

7520 Conrad Street

Burnaby, B.C. V5A 2H7

Phone : 604-415-5181

Fax : 604-415-5185

www: diamondconcrete.ca

This drawing is the property of the Diamond Precast Concrete. All information contained herein is confidential and may not be used in whole or in part without written permission from the owner

Sheet No.

1 OF 1