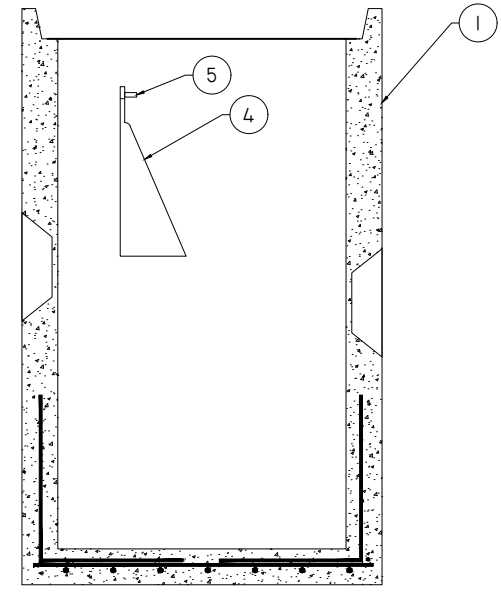
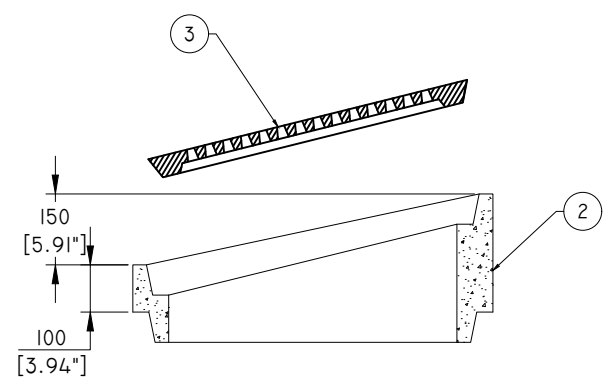
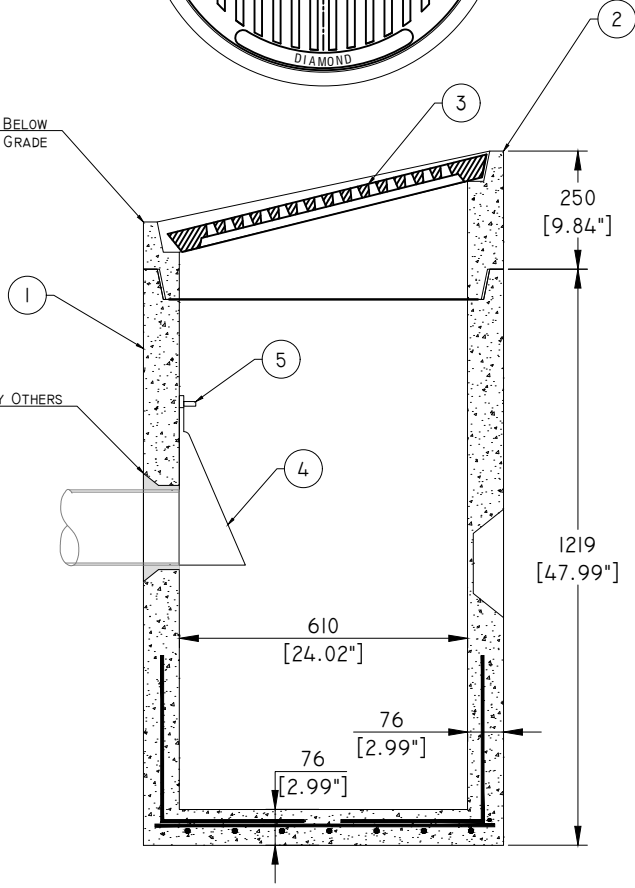


SET 50MM BELOW  
DITCH GRADE

GROUT BY OTHERS



**Specification and General Notes:**

1. All components MMCD PLATINUM (Section 33 44 01) compliant and fabricated to CSA CERTIFICATE OF COMPLIANCE (ASTM C478M)
2. All jurisdiction-specific components SUPPLEMENTAL to MMCD PLATINUM fabricated in accordance with CSA CERTIFICATE OF QUALIFICATION (CSA A23.4-09).
3. Components certified to CSA standards (ASTM C478M & CSA A23.4-09) by approved independent third party certification body accredited by Standards Council of Canada.
4. All components marked with certification body logo and CSA standard markings.
5. Testing to ASTM C497/CSA 23.1 & 2-09.
6. 30 MPa MIN compressive strength (MAX 0.5 W/C ratio).
7. Pipe penetrations to be grouted unless otherwise noted
8. 25mm MIN concrete cover of reinforcing steel.
9. 5mm manufacturing tolerance.
10. A-3 concrete exposure class.
11. 15MPa MIN stripping strength.
12. Standard grade form finish.
13. Unformed steel trowel or wood float finish.
14. 3 point rigging to meet WORK SAFE BC OHS (Guideline 14/15) requirement
15. Field installation and testing by others.

**BILL OF MATERIALS**

ITEM	DESCRIPTION	MASS KG	QUANTITY
1	2448CBS	520	1
2	2410R-SLOPED	92	1
3	D22B-GRATE	48	1
4	D-TRAPHOOD	10	1
5	TRHDP	<1	2



Description:

**Ditch Catch Basin Type II**

CS - D - 10

Jurisdiction: City of Abbotsford

Drawn :

S.d.

Date :

20/09/2016

Catalog No.

Approved :

Load Rating:

N/A

Dwg. No.

Rev. No.

Scale :

1:16

**CoAbb-3**

7520 Conrad Street

Burnaby, B.C. V5A 2H7

Phone : 604-415-5181

Fax : 604-415-5185

www: diamondconcrete.ca

This drawing is the property of the Diamond Precast Concrete. All information contained herein is confidential and may not be used in whole or in part without written permission from the owner

Sheet No.

1 OF 1