

SECTION C-C

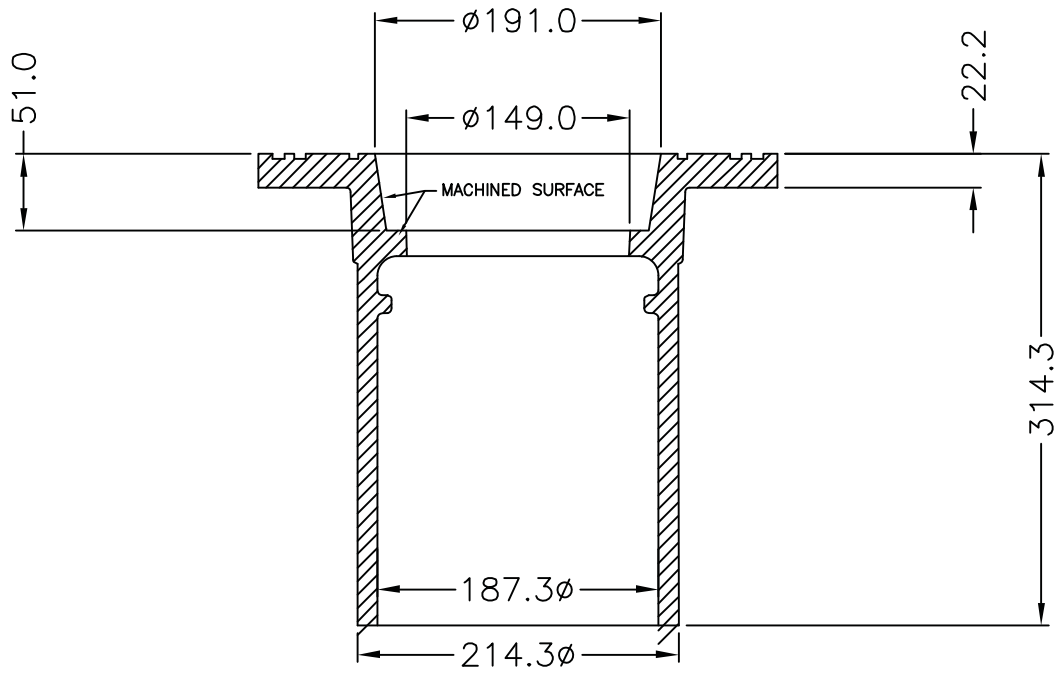
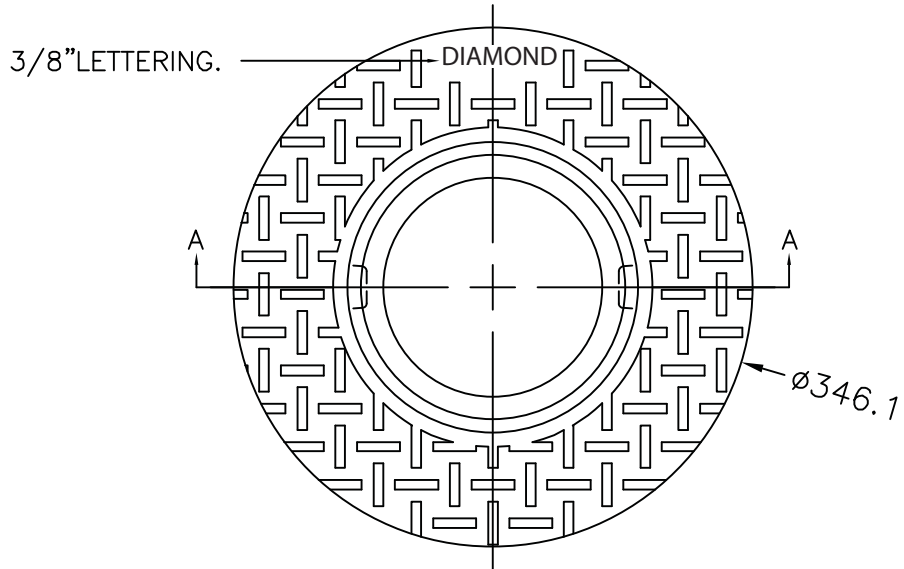
WEIGHT:
APPROX. 6 kg

DIAMOND 7520 Conrad Street Burnaby, B.C. V5A 2H7
 PRECAST CONCRETE Phone : 604 415-9944 Fax : 604 415-9954
 diamondprecast.com

RATING— HWY LOAD

VALVE BOX LID

NO.
MR-6



SECTION A-A

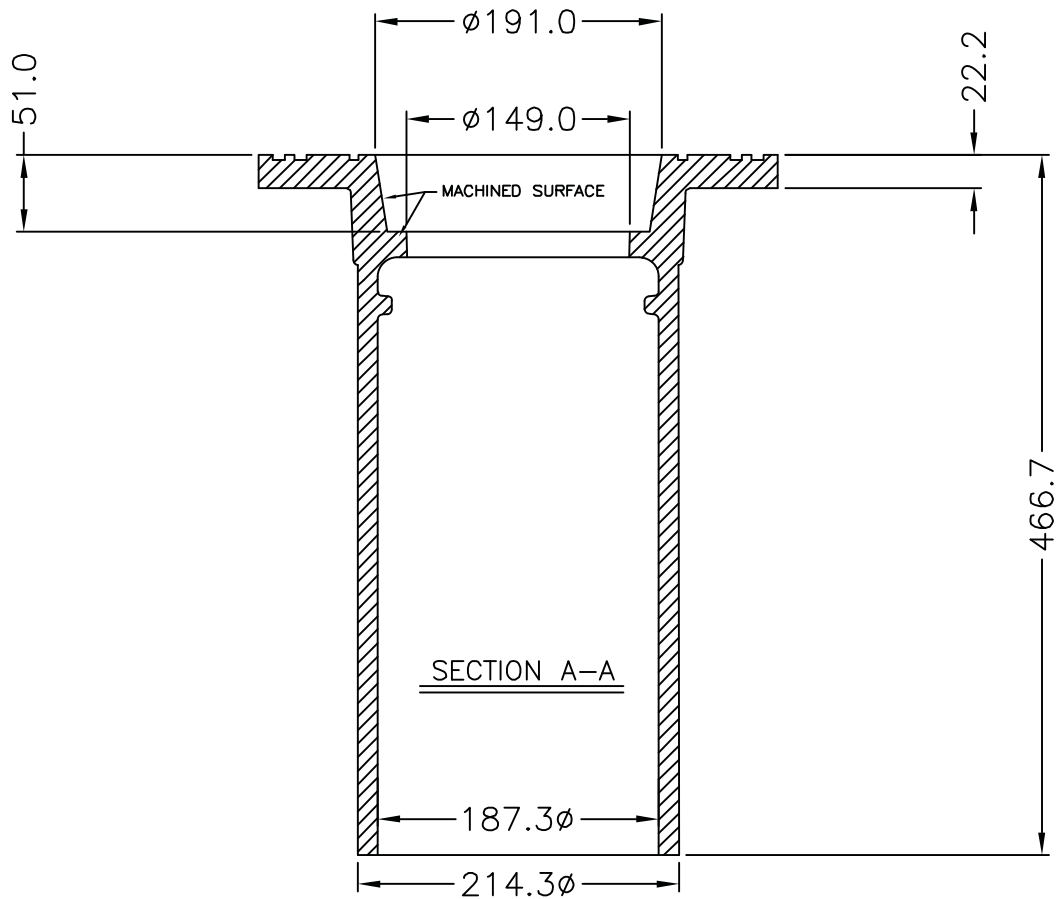
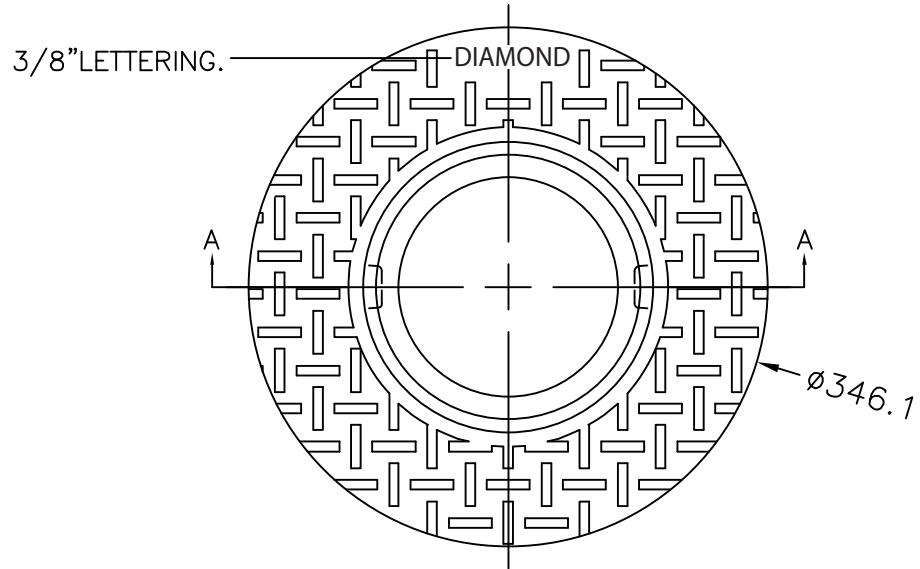
APPROX. WEIGHT:
54 LBS

DIAMOND 7520 Conrad Street Burnaby, B.C. V5A 2H7
 PRECAST CONCRETE Phone : 604 415-9944 Fax : 604 415-9954
 diamondprecast.com

RATING- HWY LOAD

VALVE BOX BODY

NO.
MR6-12



Also available in 12" Length

APPROX. WEIGHT:
68 LBS (31 KG)

DIAMOND 7520 Conrad Street Burnaby, B.C. V5A 2H7
 PRECAST CONCRETE Phone : 604 415-9944 Fax : 604 415-9954
 diamondprecast.com

RATING- HWY LOAD

VALVE BOX BODY

NO.
MR6-18"