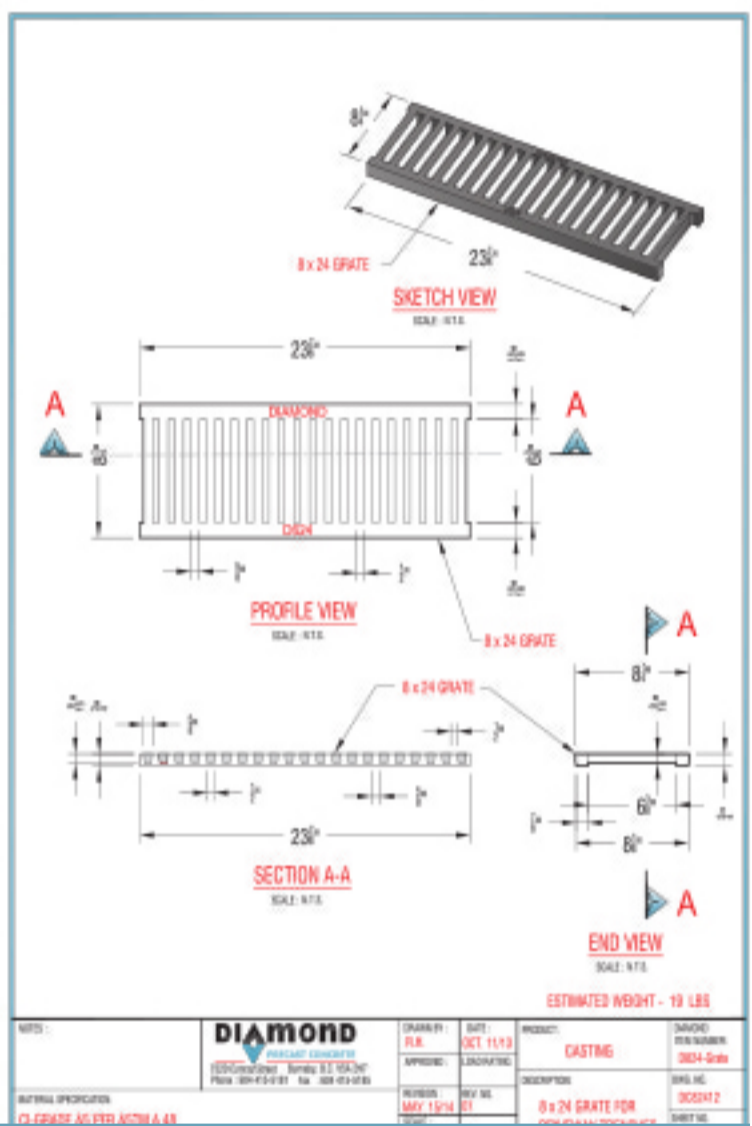
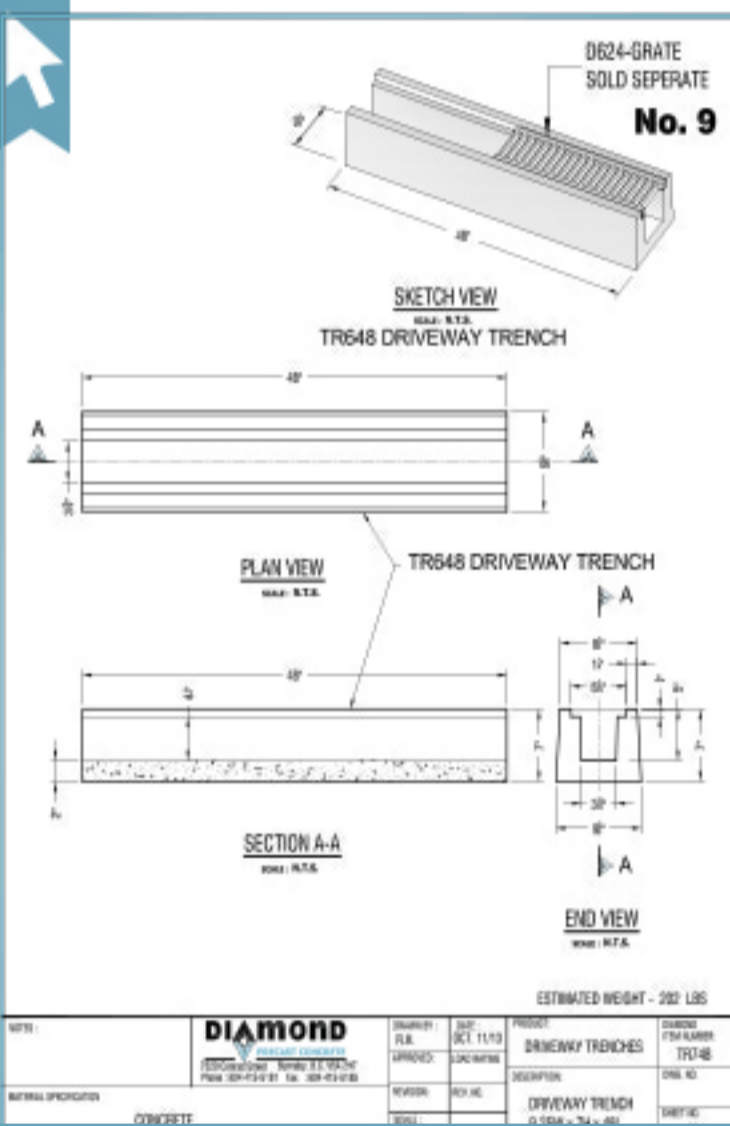
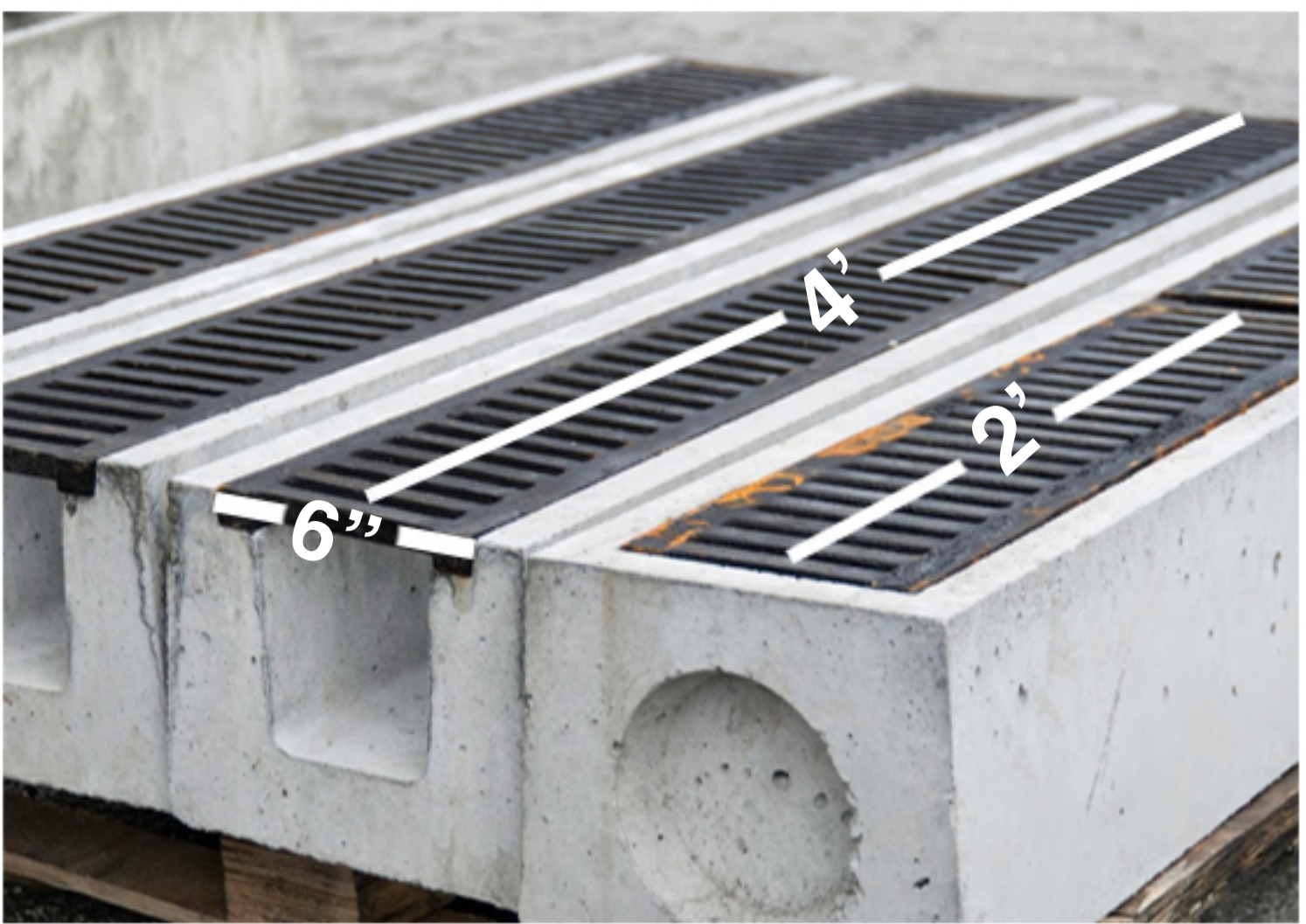


# DRIVEWAY TRENCH [TROUGH]



[Click to Enlarge](#)

	<b>Driveway Trench [TR-150]</b>	<b>48 x 7 x 6" ID [1200 x 175 x 150mm]</b>
	<b>Driveway Trench End [TR-150END]</b>	<b>24 x 7 x 6" ID [600 x 175 x 150mm]</b>
	<b>6" Grate for Trench [D624]</b>	<b>6 x 24 x 3/4" H [150 x 600 x 20mm]</b>
	<b>Roadway Trench [TR-200]</b>	<b>48 x 8 x 8" ID [1200 x 200 x 200mm]</b>
	<b>8" Grate for Trench [D824]</b>	<b>8 x 24 x 1" H [200 x 600 x 25mm]</b>
	<b>TR200 with D824 for H20 Rated Applications</b>	



[Click to View Coquitlam City Centre Gravity Sewer Upgrade \[ Coquitlam \]](#)

COMPLETE CAPABILITIES



COMPLETE CAPABILITIES



WEBSITE

[diamondprecast.com](http://diamondprecast.com)

OPT-IN

Weekly Newsletters