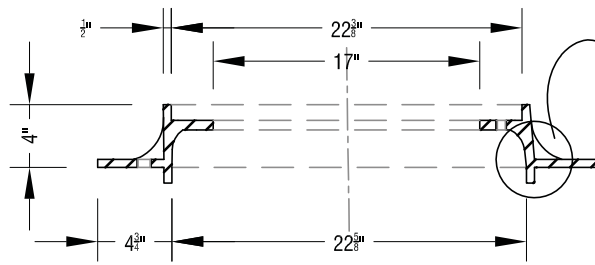
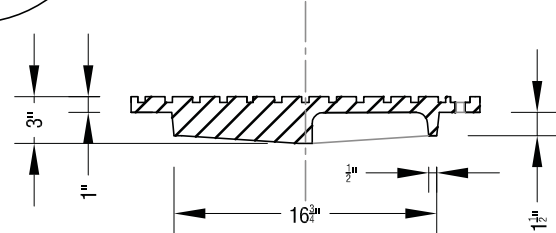


TOP VIEW

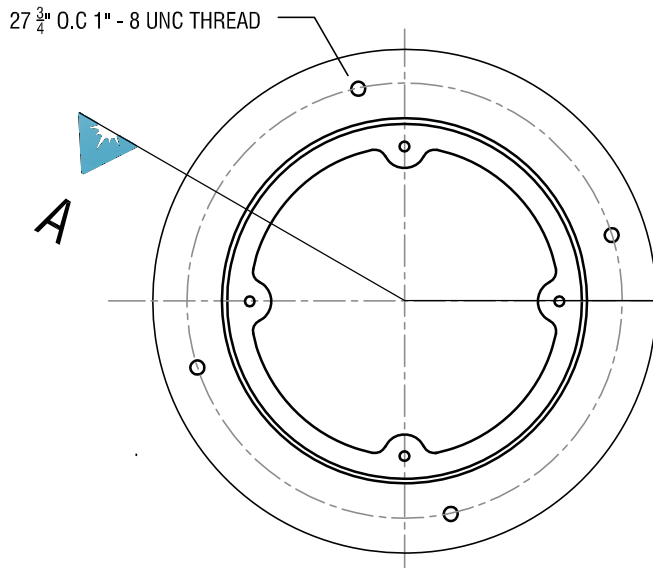
DETAIL



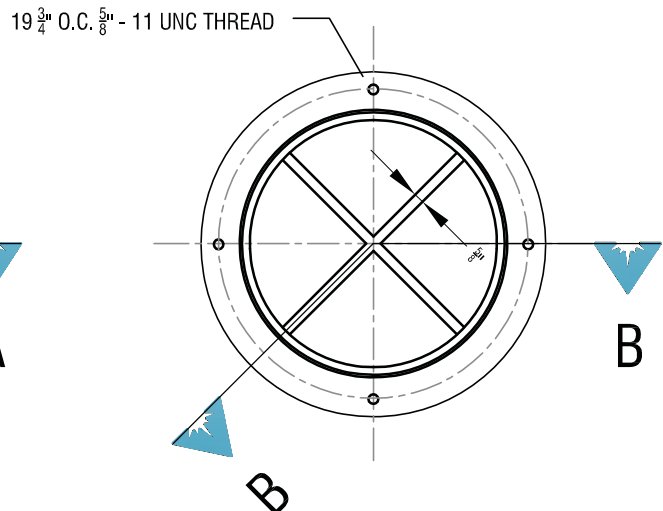
SECTION A



SECTION B



BOTTOM VIEW



BOTTOM VIEW

NOTES :



7520 Conrad Street Burnaby, B.C. V5A 2H7
Phone : 604 415-9944 Fax : 604 415-9954

MATERIAL SPECIFICATION

CI-GRADE AS PER ASTM A 48

DRAWN BY :

C.S.

APPROVED :

REV. NO.
01

SCALE :
N.T.S.

DATE :

FEB 03/14

LOAD RATING

REVISION :
FEB 06/14

PRODUCT:

CASTING

DESCRIPTION:

MANHOLE FRAME 4
SEALED MANHOLE
COVER

CATALOG NUMBER:

D204-SEALED
SET

DWG. NO.

DC20402

SHEET NO.

1 OF 1