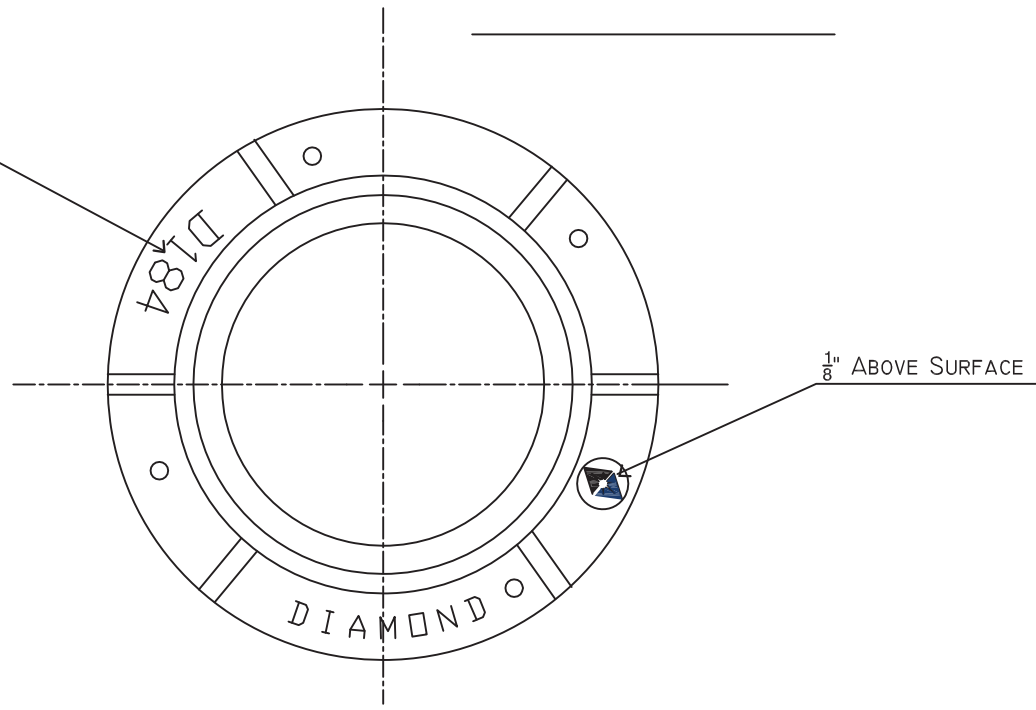
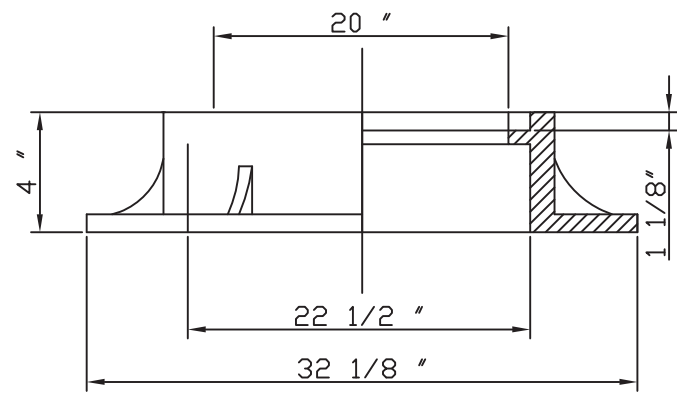


4 NOS EQUALLY SPACED OF 1" Ø
HOLES FOR ANCHOR SUPPORT

$\frac{1}{8}$ " Thick And Above Surface



$\frac{1}{8}$ " ABOVE SURFACE



DIAMOND
WATERWORKS
7520 Conrad Street
Burnaby, BC V5A 2H7
Phone : 604 415 5181
Fax : 604 415 5185

DRAWN BY: P.S DATE: 04/2007

APPROVED:

REVISION:

SCALE: NOT TO SCALE

LOAD RATING
H 20

MATERIAL SPECIFICATION
ASTM A 48

COATING
BITUMINOUS TAR COATED
(UNCOATED ON REQUEST)

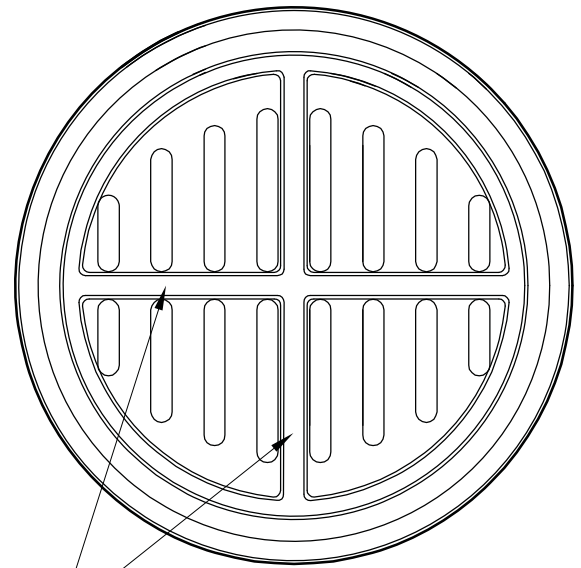
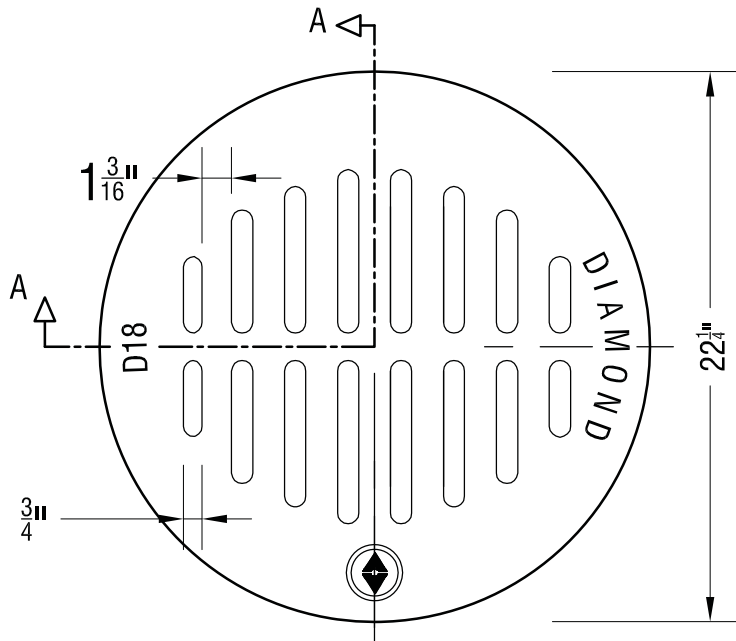
ESTIMATED WEIGHT -
116 LBS.

PART / DWG NUMBER

D184-Frame

CATALOG NUMBER

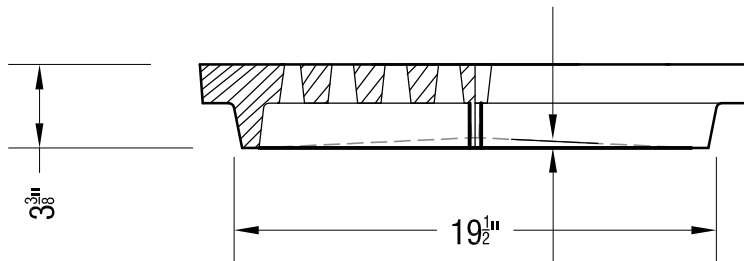
D184:-4" Cast Iron Frame for D18 Cover/Grate



* INCREASE DEPTH OF GIRDERS TO INCREASE WEIGHT BEARING CAPACITY.

PLAN

UNDERSIDE



* INCREASE DEPTH OF GIRDERS TO INCREASE WEIGHT BEARING CAPACITY.

SECTION

SCALE: NOT TO SCALE

D18 - 22-1/4" Cast Iron Grate for D18-Frame

**TESTED AUG. 1, 2012 - 1st Failed @ 36,400lbs.
2nd Failed @ 39,200lbs.
NOT H2O LOADING**

**COATING
BITUMINOUS TAR COATED
(UNCOATED ON REQUEST)**

ESTIMATED WEIGHT - 106 LBS

NOTES :
* REVISION: INCREASE DEPTH OF GIRDERS TO INCREASE WEIGHT BEARING CAPACITY.

DIAMOND
PRECAST CONCRETE
7520 Conrad Street Burnaby, B.C. V5A 2H7
Phone : 604 415-9944 Fax : 604 415-9954

DRAWN BY : R.H.	DATE : SEPT. 26/13
APPROVED :	LOAD RATING
REVISION :	REV. NO.
SCALE : N.T.S.	

PRODUCT: CASTING	CATALOG NUMBER: D18-GRATE
DESCRIPTION: D18 - CAST IRON GRATE STORM DRAIN	DWG. NO.
	SHEET NO. 1

MATERIAL SPECIFICATION

ASTM A 48