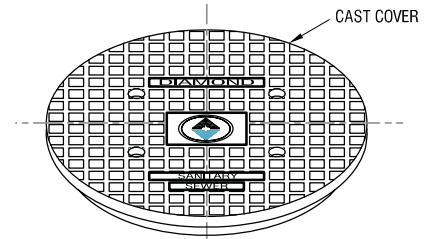
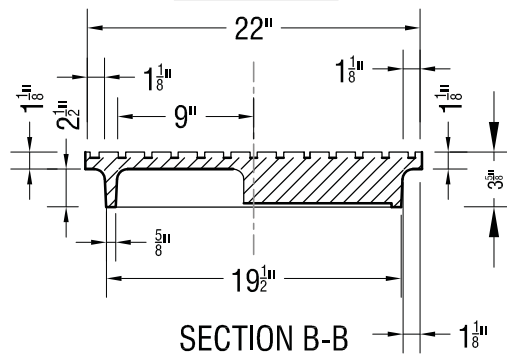


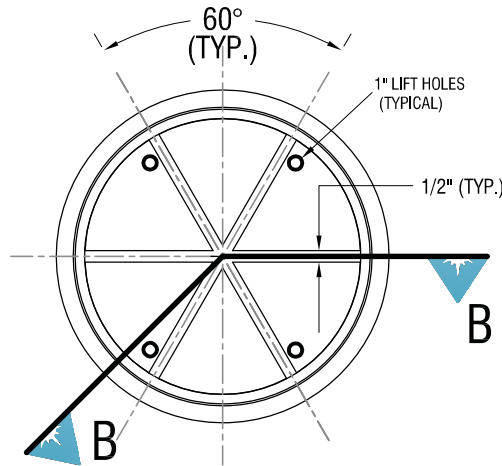
PLAN VIEW



SKETCH VIEW




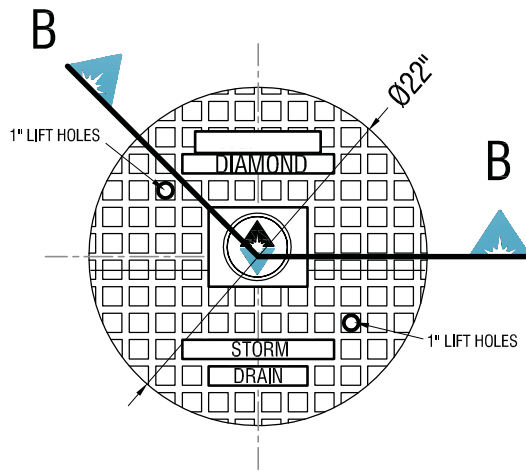
SECTION B-B



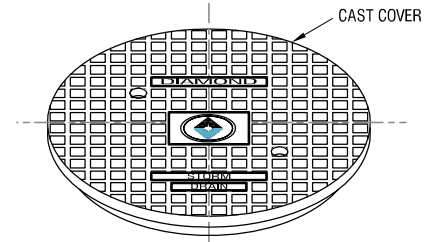
CAST IRON COVER - BOTTOM VIEW

ESTIMATED WEIGHT - 124 LBS.

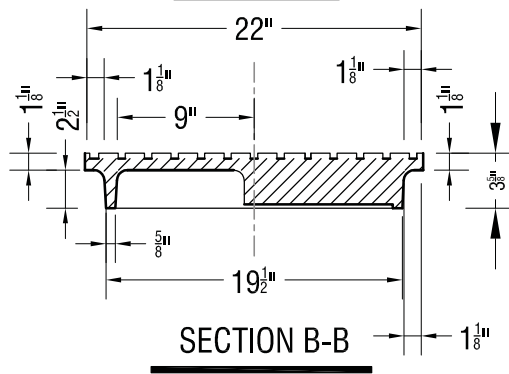
| | | | | | | |
|------------------------|--|--|------------|-------------|--------------|-----------------------|
| NOTES : | COATING BITUMINOUS TAR COATED (UNCOATED ON REQUEST) |  DIAMOND PRECAST CONCRETE 7520 Conrad Street Burnaby, B.C. V5A 2H7 Phone : 604 415-9944 Fax : 604 415-9954 | DRAWN BY : | DATE : | PRODUCT: | CATALOG NUMBER: |
| | | | R.H. | SEPT. 26/13 | CASTING | D18-SANITARY |
| MATERIAL SPECIFICATION | ASTM A 48 | | APPROVED : | LOAD RATING | DESCRIPTION: | DWG. NO. |
| | | | REVISION : | REV. NO. | | D18 - CAST IRON COVER |
| | | | SCALE : | | | SANITARY SEWER |
| | | | N.T.S. | | | SHEET NO. 2 OF 3 |



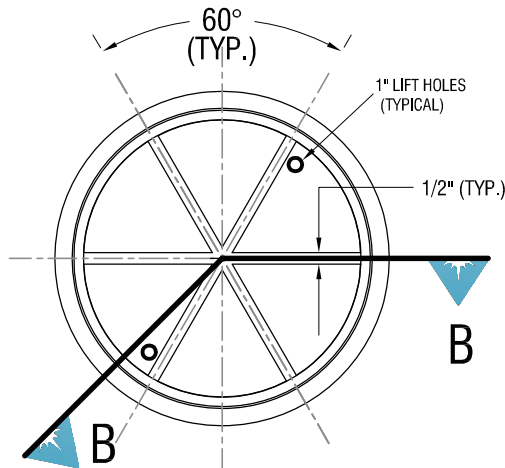
PLAN VIEW



SKETCH VIEW



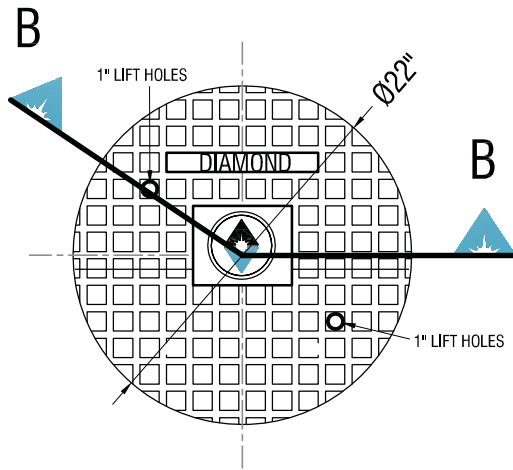
SECTION B-B



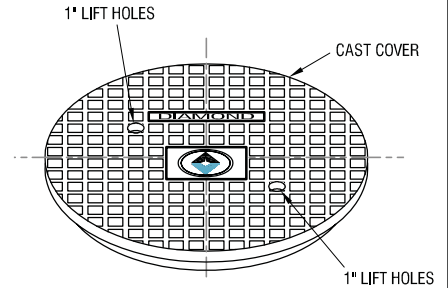
CAST IRON COVER - BOTTOM VIEW

ESTIMATED WEIGHT - 124 LBS.

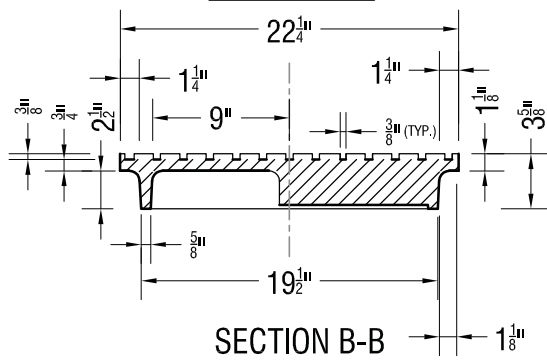
| | | | | | |
|--|---|---------------------------|------------------------------|---|-------------------------------------|
| NOTES : COATING BITUMINOUS TAR COATED (UNCOATED ON REQUEST) MATERIAL SPECIFICATION ASTM A 48 | 7520 Conrad Street Burnaby, B.C. V5A 2H7 Phone : 604 415-9944 Fax : 604 415-9954 | DRAWN BY : R.H. | DATE : SEPT. 26/13 | PRODUCT: CASTING | CATALOG NUMBER: D18-STORM |
| | | APPROVED : | LOAD RATING | DESCRIPTION: D18 - CAST IRON COVER STORM DRAIN | DWG. NO. |
| | | REVISION : | REV. NO. | | SHEET NO. 3 OF 3 |
| | | SCALE : N.T.S. | | | |



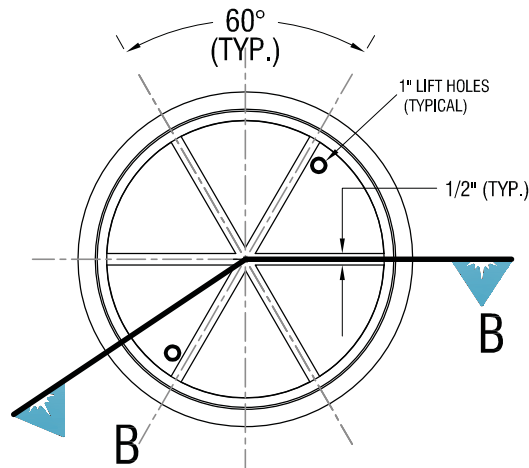
PLAN VIEW



SKETCH VIEW



SECTION B-B



CAST IRON COVER - BOTTOM VIEW

ESTIMATED WEIGHT - 124 LBS.

NOTES :

COATING
BITUMINOUS TAR COATED
(UNCOATED ON REQUEST)

DIAMOND
PRECAST CONCRETE

7520 Conrad Street Burnaby, B.C. V5A 2H7
Phone : 604 415-9944 Fax : 604 415-9954

DRAWN BY :
R.H.

DATE :
SEPT. 26/13

PRODUCT:

CASTING

CATALOG NUMBER:

D18-Plain

APPROVED :

LOAD RATING

DESCRIPTION:

COVER - PLAIN

DWG. NO.

SHEET NO.
1 OF 3

MATERIAL SPECIFICATION

ASTM A 48

REVISION :

REV. NO.

SCALE :
N.T.S.