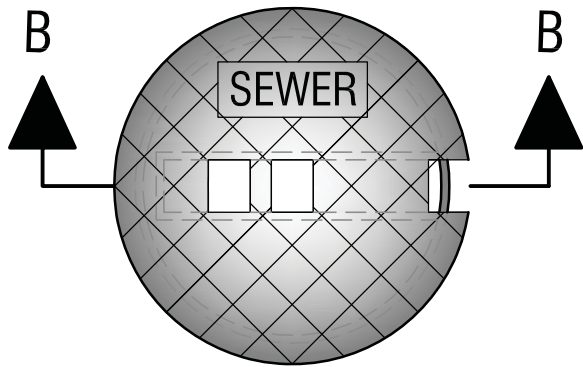
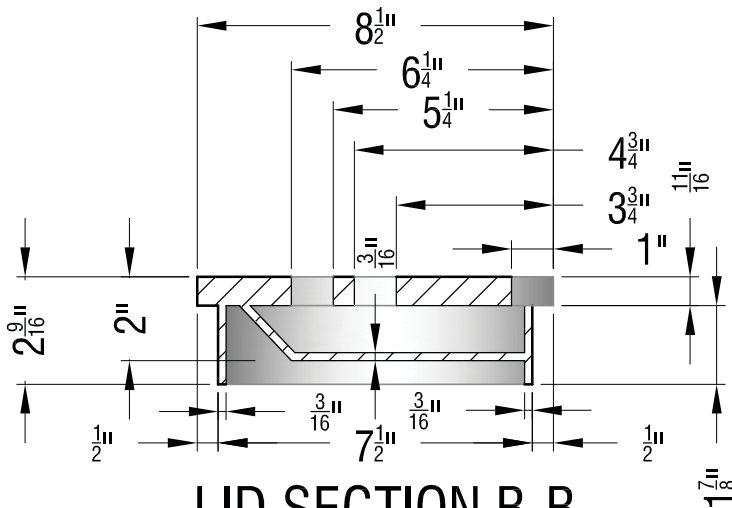
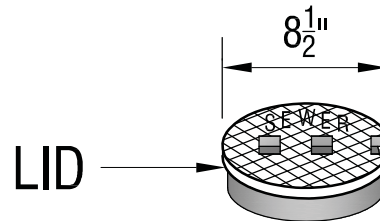


Available Marked "Plain"; "Sewer"; or "Water"



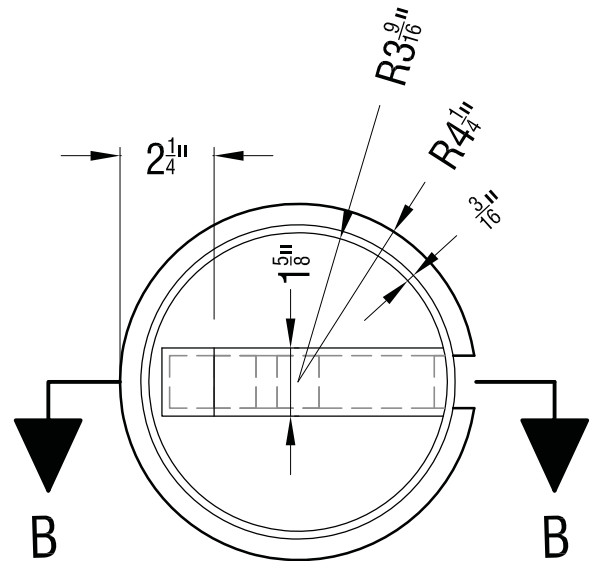
LID TOP VIEW

NOT TO SCALE



LID SECTION B-B


NOT TO SCALE



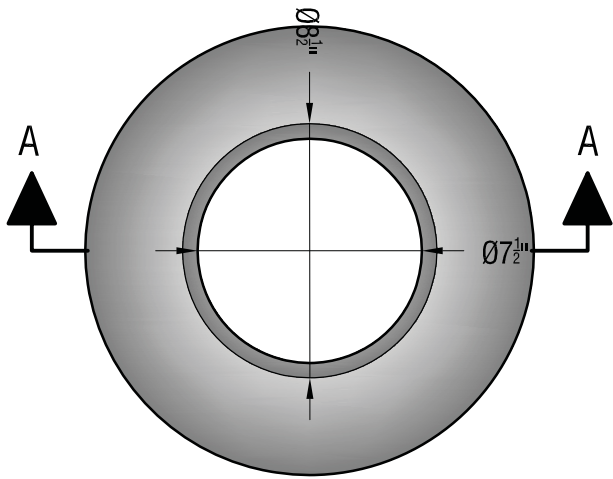
LID BOTTOM VIEW

NOT TO SCALE

ESTIMATED WEIGHT - LBS

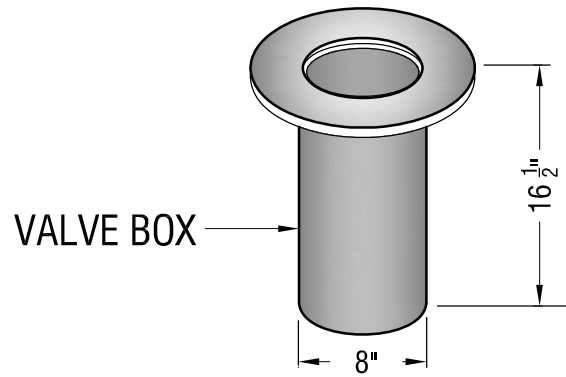
| | | | | | |
|------------------------|--|------------|-------------|---------------------------------------|----------------------|
| NOTES : |  7520 Conrad Street Burnaby, B.C. V5A 2H7 Phone : 604 415-5181 Fax : 604 415-5185 | DRAWN BY : | DATE : | PRODUCT: | DIAMOND ITEM NUMBER: |
| | | R.H. | JULY 31/13 | CASTING | D6-Lid |
| MATERIAL SPECIFICATION | COATING BITUMINOUS TAR COATED (UNCOATED ON REQUEST) | APPROVED : | LOAD RATING | DESCRIPTION: | DWG. NO. |
| | | REVISION : | REV. NO. | D6-LID - IRON LID FOR D6-VALVE BOX | SHEET NO. |
| | | SCALE : | N.T.S. | | 1 OF 1 |

REF. Dwg#:



VALVE BOX TOP VIEW

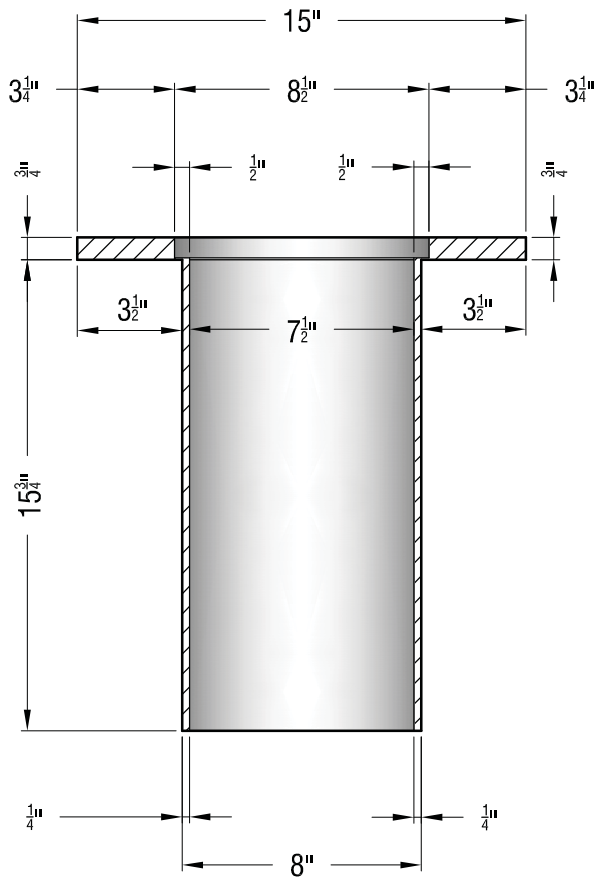
NOT TO SCALE



VALVE BOX

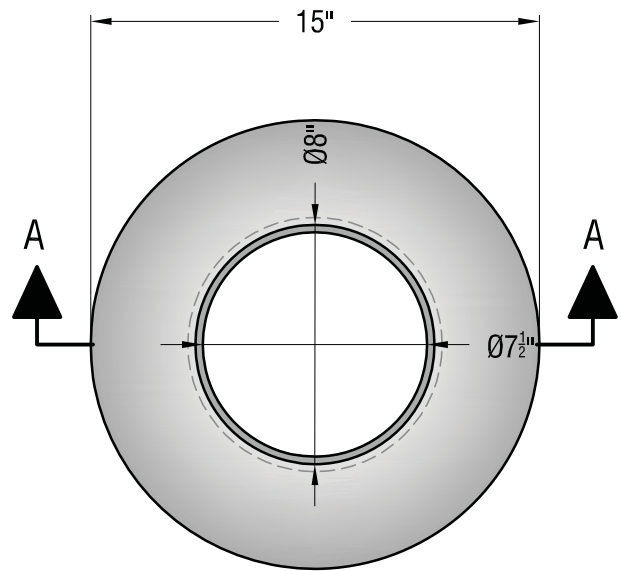
SKETCH VIEW

NOT TO SCALE



VALVE BOX SECTION A-A

NOT TO SCALE




VALVE BOX BOTTOM VIEW

NOT TO SCALE

ESTIMATED WEIGHT -

LBS

| | | | | | |
|------------------------------|--|-------------------------|-------------|---------------|----------------------|
| NOTES : |  DIAMOND PRECAST CONCRETE 7520 Conrad Street Burnaby, B.C. V5A 2H7 Phone : 604 415-5181 Fax : 604 415-5185 | DRAWN BY : | DATE : | PROJECT : | DIAMOND ITEM NUMBER: |
| | | R.H. | JULY 31/13 | CASTING | |
| | | APPROVED : | LOAD RATING | DESCRIPTION : | DWG. NO. |
| | | MATERIAL SPECIFICATION: | COATING | REVISION : | REV. NO. |
| 1. ASTM A 48 SPECIFICATIONS. | BITUMINOUS TAR COATED (UNCOATED ON REQUEST) | SCALE : | N.T.S. | | 1 OF 1 |