

DIAMOND
WATERWORKS

7520 Conrad Street
Burnaby, BC V5A 2H7

Phone : 604 415 5181
Fax : 604 415 5185

DRAWN BY: P.S DATE: 04/2007

APPROVED:

REVISION:

SCALE: NOT TO SCALE

LOAD RATING

MATERIAL SPECIFICATION

ASTM A 48

COATING

BITUMINOUS TAR COATED
(UNCOATED ON REQUEST)

ESTIMATED WEIGHT -

76 LBS.

Note:-

For 600mm
concrete CB barrel

PART / DWG NUMBER

D26B-Frame

CATALOG NUMBER

D26B Frame:-Cast Iron Frame for D26B Grate



7520 Conrad Street
 Burnaby,
 BC V5A 2H7
 Phone : 604 415 5181
 Fax : 604 415 5185

DRAWN BY: P.S DATE: 04/2007

APPROVED:

REVISION:

SCALE: NOT TO SCALE

LOAD RATING
 H 20

MATERIAL SPECIFICATION
 ASTM A 48

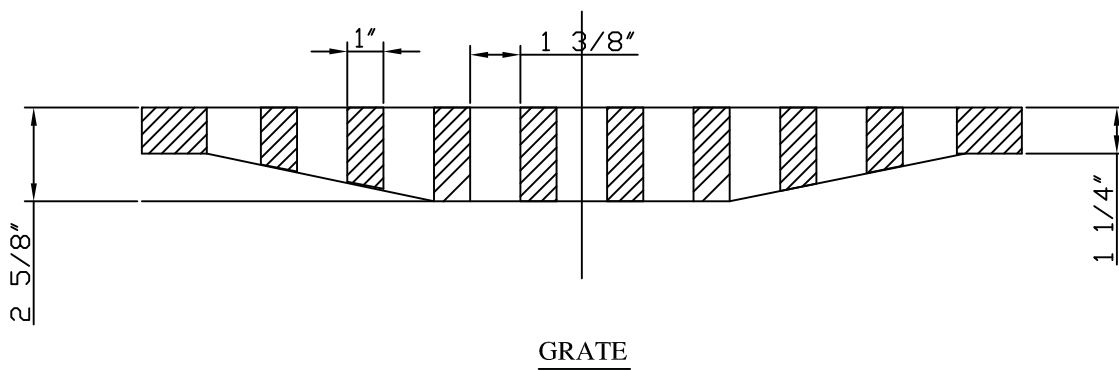
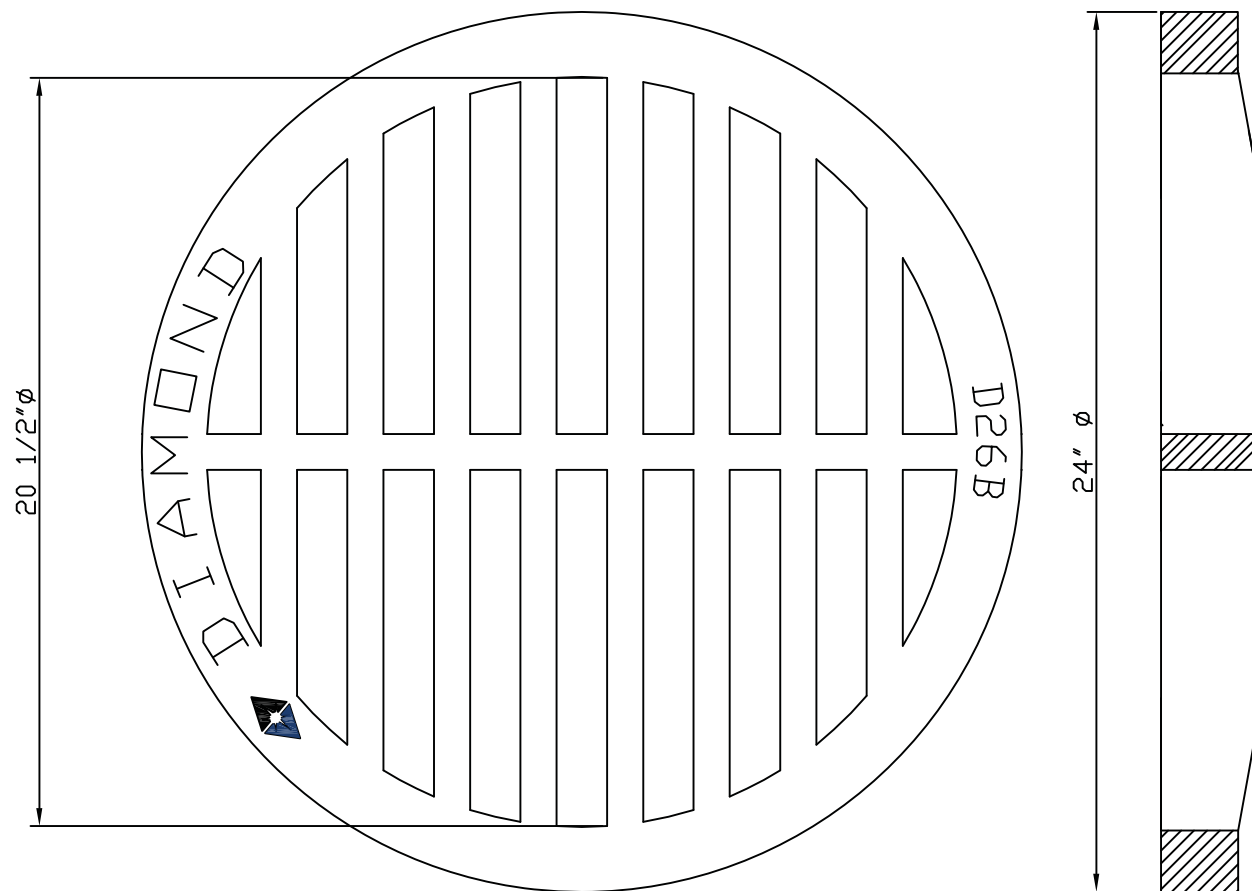
COATING
 BITUMINOUS TAR COATED
 (UNCOATED ON REQUEST)

ESTIMATED WEIGHT -
 109 LBS.

PART / DWG NUMBER

D26B-Grate

CATALOG NUMBER



D26B:-24" Cast Iron Grate for D26B Frame