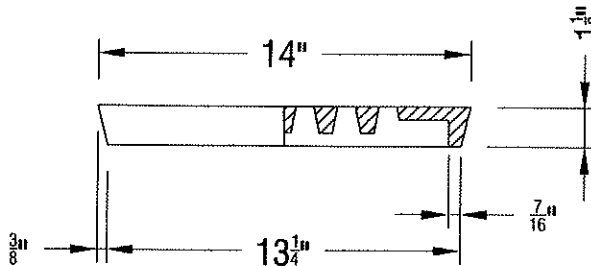
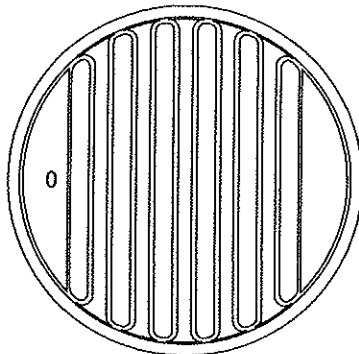


TOP VIEW



SECTION A-A



BOTTOM VIEW

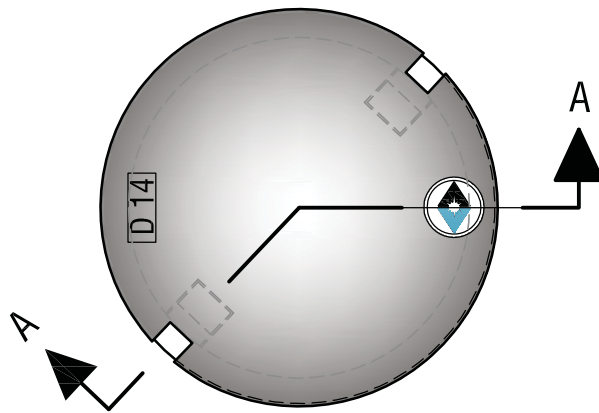
SCALE: NOT TO SCALE

DN14 - 14" Cast Iron Grate

COATING
BITUMINOUS TAR COATED
(UNCOATED ON REQUEST)

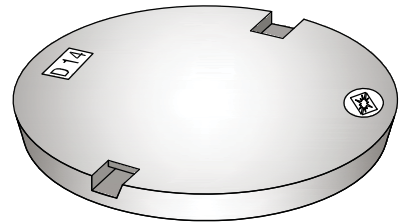
ESTIMATED WEIGHT -

NOTES :	 7520 Conrad Street Burnaby, B.C. V5A 2H7 Phone : 604 415-9944 Fax : 604 415-9954	DRAWN BY :	DATE :	PROJECT:	CATALOG NUMBER:
		R.H.	APR. 05/13		1
MATERIAL SPECIFICATION	ASTM A 48	APPROVED :	LOAD RATING	DESCRIPTION:	DWG. NO.
		REVISION :	REV. NO.		DN14-GRATE
		SCALE :			SHEET NO.
		N.T.S.		DN14-14" CAST IRON GRATE	1 OF 1



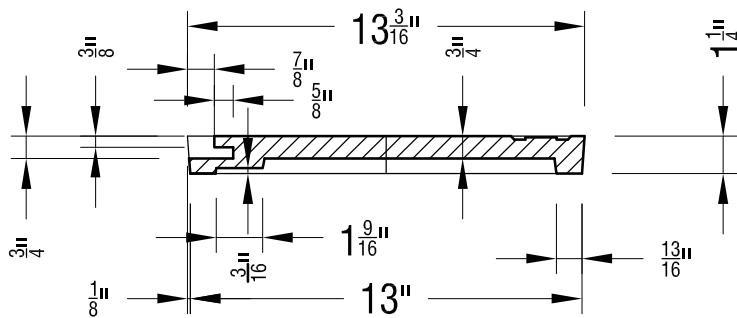
TOP VIEW

NOT TO SCALE



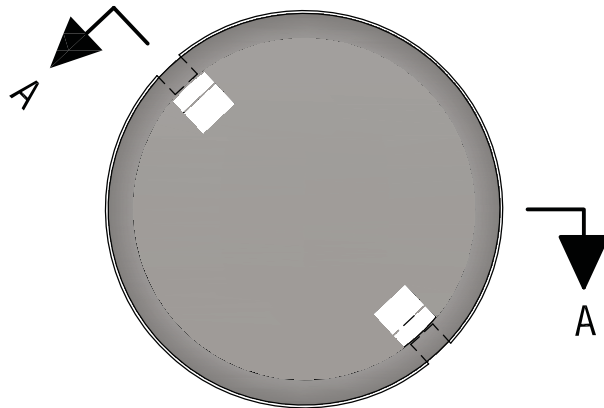
SKETCH VIEW

NOT TO SCALE



SECTION A-A

NOT TO SCALE



BOTTOM VIEW

NOT TO SCALE

D14 - 13-3/16" Cast Iron Lid

ESTIMATED WEIGHT - LBS

NOTES :



7520 Conrad Street Burnaby, B.C. V5A 2H7
Phone : 604 415-9944 Fax : 604 415-9954

DRAWN BY :
R.H.

DATE :
JUNE 28/13

PRODUCT:
CASTINGS

CATALOG NUMBER:
D14-Lid

APPROVED :

LOAD RATING

DESCRIPTION:
12" Cast Lid Tapered

DWG. NO.

REVISION :

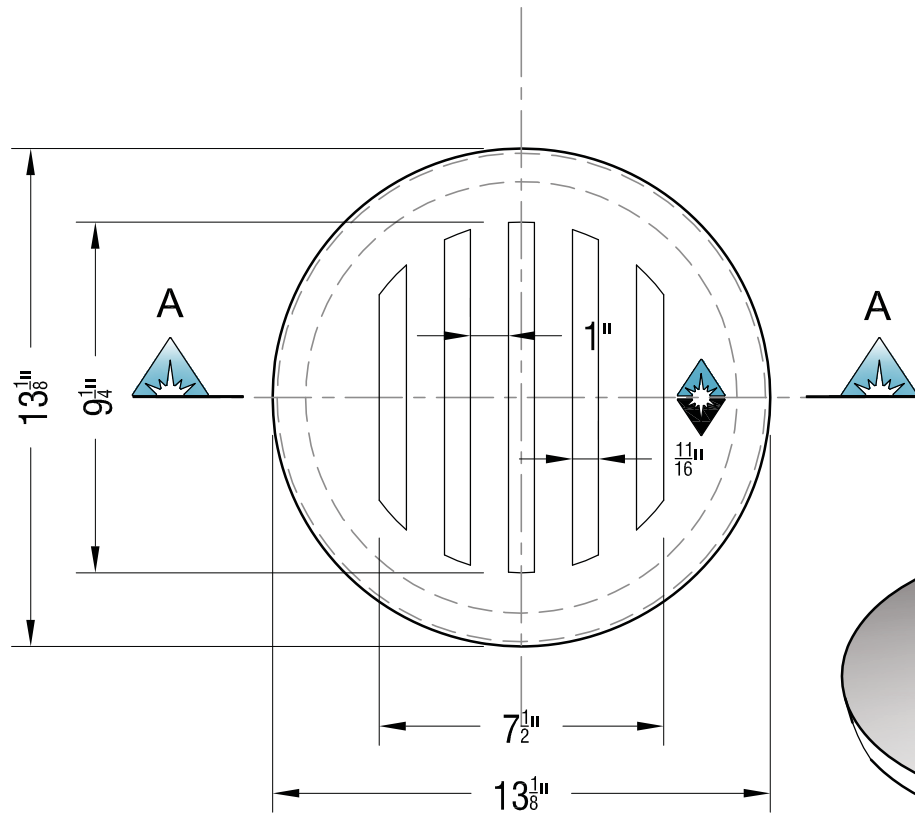
REV. NO.

SHEET NO.
1 OF 1

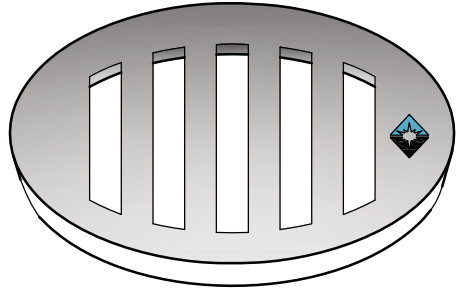
MATERIAL SPECIFICATION

1. ASTM A 48 SPECIFICATIONS.

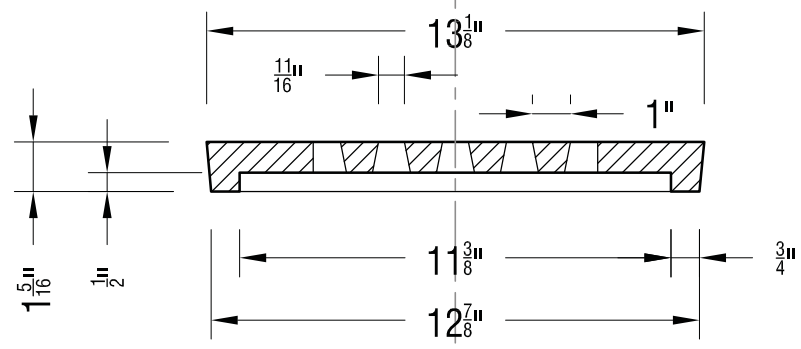
COATING
BITUMINOUS TAR COATED
(UNCOATED ON REQUEST)



PLAN VIEW
D14 GRATE
N.T.S.



SKETCH VIEW
N.T.S.



SECTION A - A
D14 GRATE
N.T.S.

ESTIMATED WEIGHT - 25 LBS.

NOTES : BITUMINOUS TAR COATED (UNCOATED ON REQUEST) MATERIAL SPECIFICATION ASTM A 48	DIAMOND PRECAST CONCRETE 7520 Conrad Street Burnaby, B.C. V5A 2H7 Phone : 604 415-5181 Fax : 604 415-9954	DRAWN BY : R.H.	DATE : SEPT. 30/13	PRODUCT: CASTINGS	DIAMOND ITEM NUMBER: D14 GRATE
		APPROVED :	LOAD RATING N/A	DESCRIPTION: D14 GRATE TAPERED	DWG. NO.
		REV. DATE :	REV. NO.		SHEET NO. 1 OF 1
		SCALE : N.T.S.	(Empty)		(Empty)