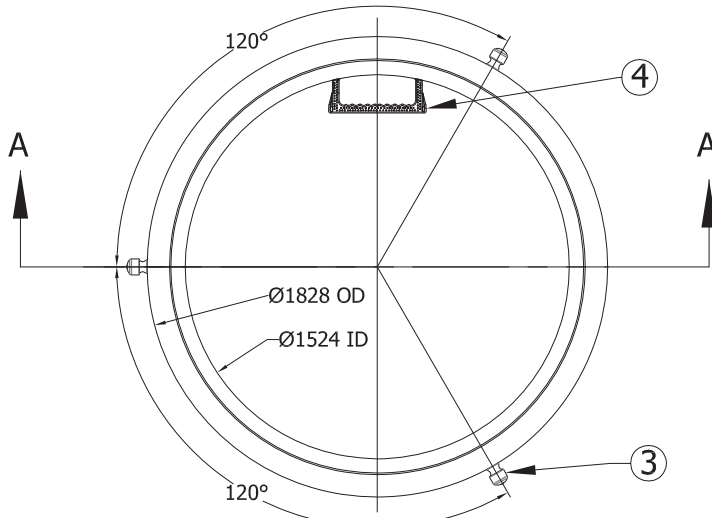
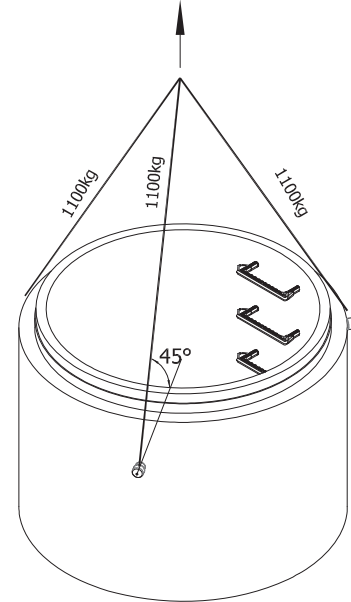


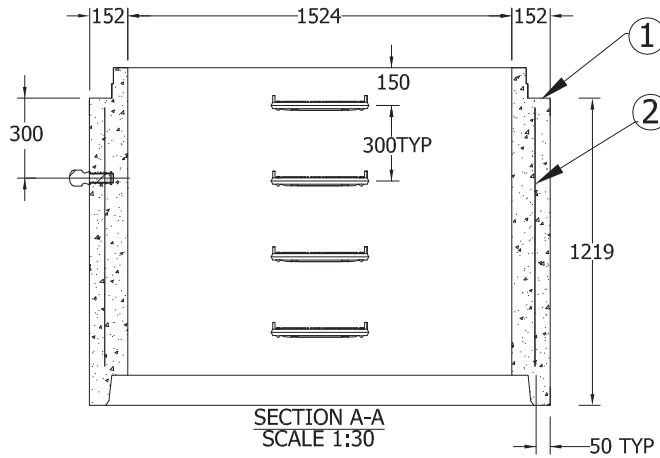
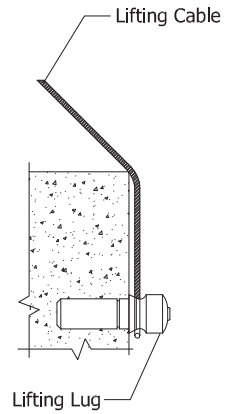
6048R



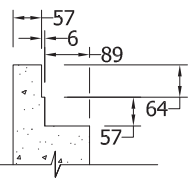
PLAN VIEW
SCALE 1:30



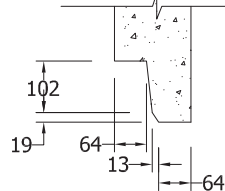
Lifting Detail



SECTION A-A
SCALE 1:30

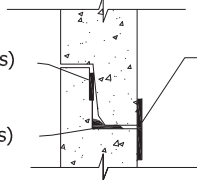


TONGUE & GROOVE DETAIL
SCALE 1 : 15



Gasket
(by others)

Mastic
(by others)



External
Mastic Wrap
Recommended
(by others)

SUGGESTED JOINT DETAIL
SCALE 1 : 15

Specification and General Notes:

1. Manhole design/manufacture to ASTM C478M Specification.
2. Concrete testing to current version of ASTM C497/CSA 23.1&2.
3. Min. concrete compressive strength 30 MPa with Max. W/C ratio of 0.5
4. Gasket to ASTM C-443 specification (by others).
5. Concrete cover to be Min.25mm.
6. All dimensions to be millimeter.
7. Welded wire mesh overlap to be 300mm.
8. Manhole design and construction to MMCD manhole specification section 02725.
9. Manufacturing tolerance to be +/- 5mm.
10. Concrete Exposure Class to be A-3
11. Min. Stripping Strength to be 15MPa
12. All Form Finish to be Standard Grade
13. All Unformed Finish to be Steel Trowelled Finish or Wood Float Finish
14. Lifting cable and accessories to meet the strength requirement in lifting detail
15. Hoisting and Rigging system to meet WORK SAFE BC OHS Regulation Guideline Part 14/15



Description:	1524ID x 1219H Manhole Riser	
	60"ID x 48"H Manhole Riser 5059 #	
Project:		

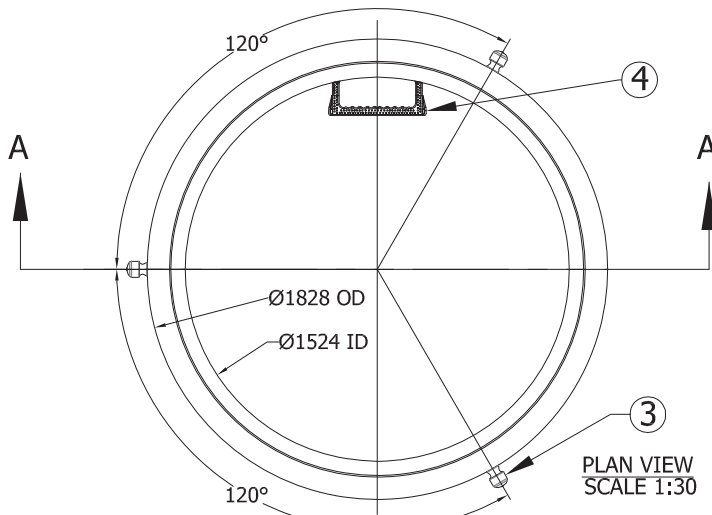
Drawn : D.L	Date : 07/03/2016	Catalog No. 6048R
Approved : V.W.	Load Rating: H20 RATED	
Rev. No. B	Scale : As Shown	Dwg. No. 60-07

7520 Conrad Street Burnaby, B.C. V5A 2H7 Phone : 604-415-5181 Fax : 604-415-5185
www.diamondprecast.com

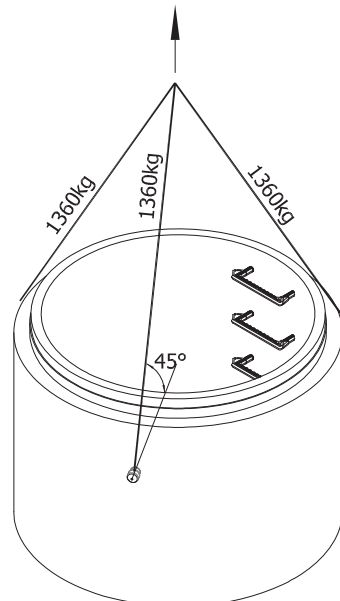
This drawing is the property of the Diamond Precast Concrete. All information contained herein is confidential and may not be used in whole or in part without written permission from the owner.

Sheet No.
1 OF 1

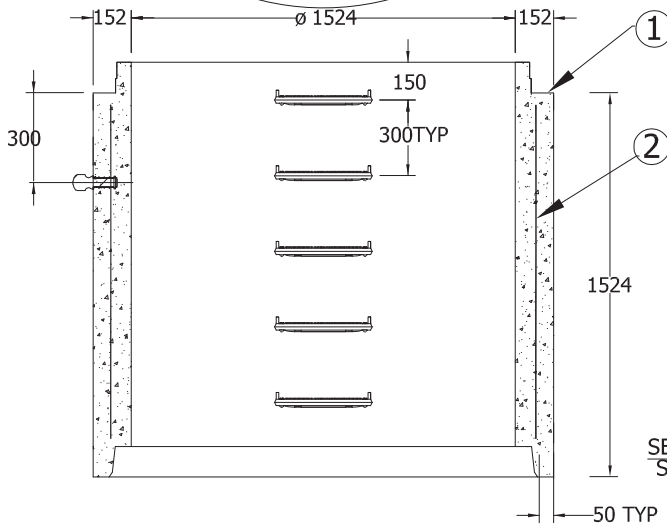
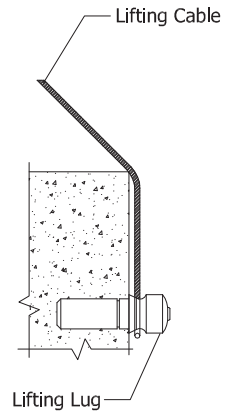
6060R



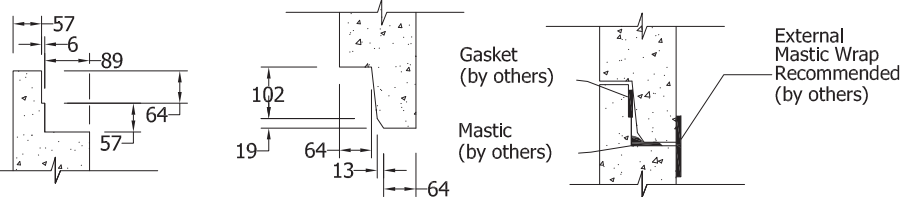
PLAN VIEW
SCALE 1:30



Lifting Detail



SECTION A-A
SCALE 1:30



TONGUE & GROOVE DETAIL
SCALE 1 : 15

SUGGESTED JOINT DETAIL
SCALE 1 : 15

Specification and General Notes:

1. Manhole design/manufacture to ASTM C478M Specification.
2. Concrete testing to current version of ASTM C497/CSA 23.1&2.
3. Min. concrete compressive strength 30 MPa with Max. W/C ratio of 0.5
4. Gasket to ASTM C-443 specification (by others).
5. Concrete cover to be Min.25mm.
6. All dimensions to be millimeter.
7. Welded wire mesh overlap to be 300mm.
8. Manhole design and construction to MMCD manhole specification section 02725.
9. Manufacturing tolerance to be +/- 5mm.
10. Concrete Exposure Class to be A-3
11. Min. Stripping Strength to be 15MPa
12. All Form Finish to be Standard Grade
13. All Unformed Finish to be Steel Trowelled Finish or Wood Float Finish
14. Lifting cable and accessories to meet the strength requirement in lifting detail
15. Hoisting and Rigging system to meet WORK SAFE BC OHS Regulation Guideline Part 14/15



Description:
1524ID x 1524H Manhole Riser

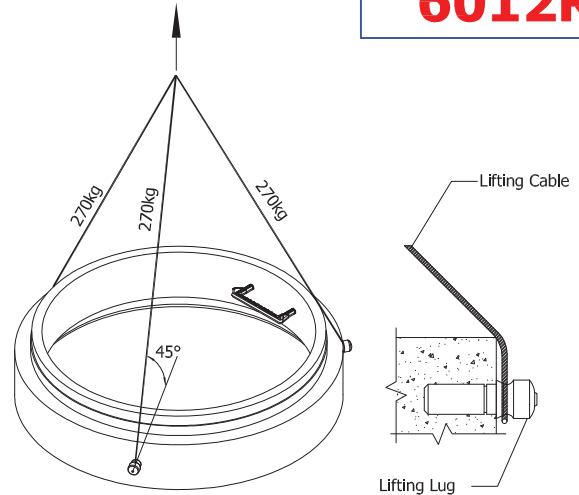
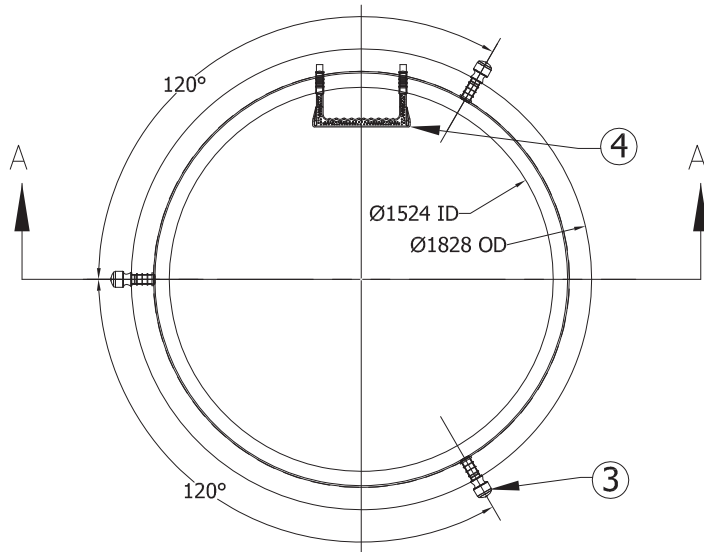
60"ID x 60"H Manhole Riser 6324 #

Project:

Drawn : D.L	Date : 07/03/2016	Catalog No. 6060R
Approved : V.W.	Load Rating: H20 RATED	Dwg. No. 60-08
Rev. No. B	Scale : As Shown	Sheet No. 1 OF 1

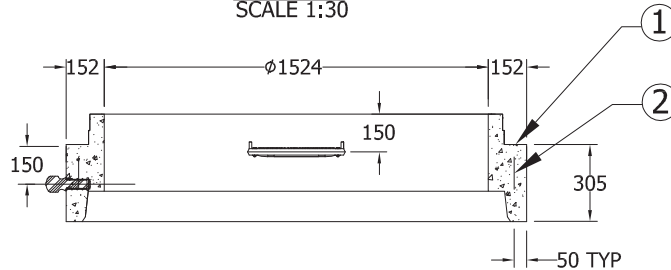
7520 Conrad Street Burnaby, B.C. V5A 2H7 Phone : 604-415-5181 Fax : 604-415-5185
www.diamondprecast.com

This drawing is the property of the Diamond Precast Concrete. All information contained herein is confidential and may not be used in whole or in part without written permission from the owner.

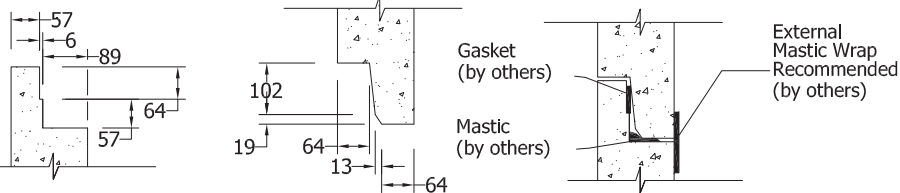


Lifting Detail

PLAN VIEW
SCALE 1:30



SECTION A-A
SCALE 1:30



TONGUE & GROOVE DETAIL
SCALE 1 : 15

SUGGESTED JOINT DETAIL
SCALE 1 : 15

Specification and General Notes:

1. Manhole design/manufacture to ASTM C478M Specification.
2. Concrete testing to current version of ASTM C497/CSA 23.1&2.
3. Min. concrete compressive strength 30 MPa with Max. W/C ratio of 0.5
4. Gasket to ASTM C-443 specification (by others).
5. Concrete cover to be Min.25mm.
6. All dimensions to be millimeter.
7. Welded wire mesh overlap to be 300mm.
8. Manhole design and construction to MMCD manhole specification section 02725.
9. Manufacturing tolerance to be +/- 5mm.
10. Concrete Exposure Class to be A-3
11. Min. Stripping Strength to be 15MPa
12. All Form Finish to be Standard Grade
13. All Unformed Finish to be Steel Trowelled Finish or Wood Float Finish
14. Lifting cable and accessories to meet the strength requirement in lifting detail
15. Hoisting and Rigging system to meet WORK SAFE BC OHS Regulation Guideline Part 14/15



Description:	1524ID x 305H Manhole Riser	
	60"ID x 12"H Manhole Riser 1265 #	
Project:		

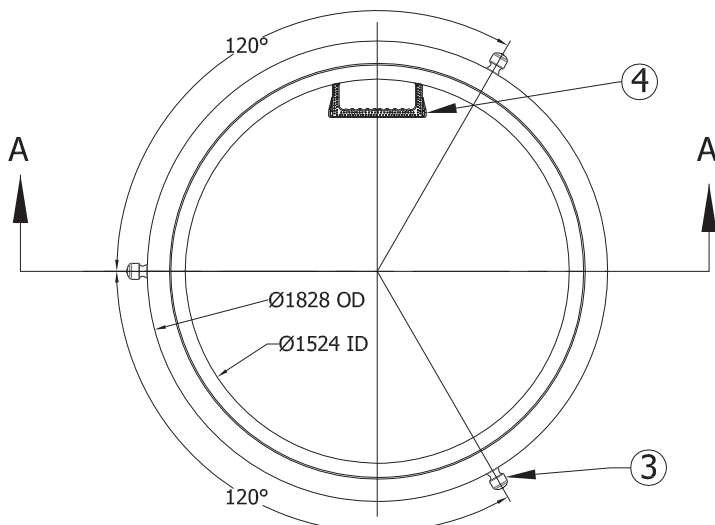
Drawn : D.L.	Date : 07/03/2016	Catalog No. 6012R
Approved : V.W.	Load Rating: H20 RATED	
Rev. No. B	Scale : As Shown	Dwg. No. 60-01

7520 Conrad Street Burnaby, B.C. V5A 2H7 Phone : 604-415-5181 Fax : 604-415-5185
www.diamondprecast.com

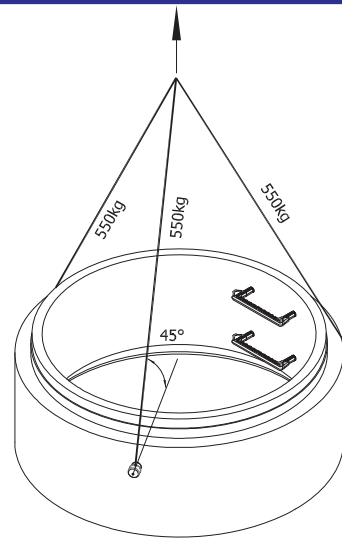
This drawing is the property of the Diamond Precast Concrete. All information contained herein is confidential and may not be used in whole or in part without written permission from the owner.

Sheet No.
1 OF 1

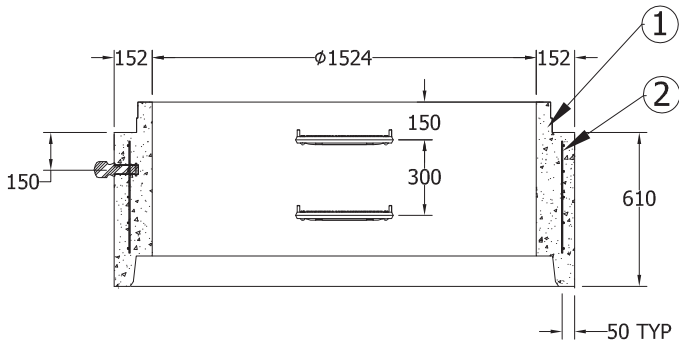
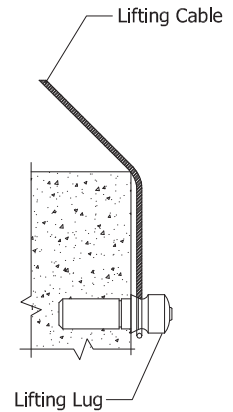
6024R



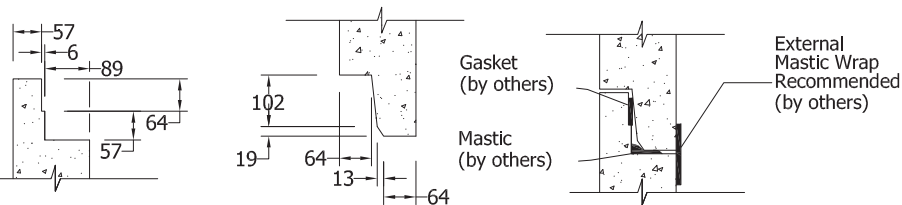
PLAN VIEW
SCALE 1:30



Lifting Detail



SECTION A-A
SCALE 1:30



TONGUE & GROOVE DETAIL
SCALE 1 : 15

SUGGESTED JOINT DETAIL
SCALE 1 : 15

Specification and General Notes:

1. Manhole design/manufacture to ASTM C478M Specification.
2. Concrete testing to current version of ASTM C497/CSA 23.1&2.
3. Min. concrete compressive strength 30 MPa with Max. W/C ratio of 0.5
4. Gasket to ASTM C-443 specification (by others).
5. Concrete cover to be Min.25mm.
6. All dimensions to be millimeter.
7. Welded wire mesh overlap to be 300mm.
8. Manhole design and construction to MMCD manhole specification section 02725.
9. Manufacturing tolerance to be +/- 5mm.
10. Concrete Exposure Class to be A-3
11. Min. Stripping Strength to be 15MPa
12. All Form Finish to be Standard Grade
13. All Unformed Finish to be Steel Trowelled Finish or Wood Float Finish
14. Lifting cable and accessories to meet the strength requirement in lifting detail
15. Hoisting and Rigging system to meet WORK SAFE BC OHS Regulation Guideline Part 14/15



Description:

1524ID x 610H Manhole Riser

60"ID x 24"H Manhole Riser 2530 #

Project:

Drawn :

D.L

Date :

07/03/2016

Catalog No.

6024R

Approved :

V.W.

Load Rating:

H20 RATED

Dwg. No.

60-03

Rev. No.

B

Scale :

As Shown

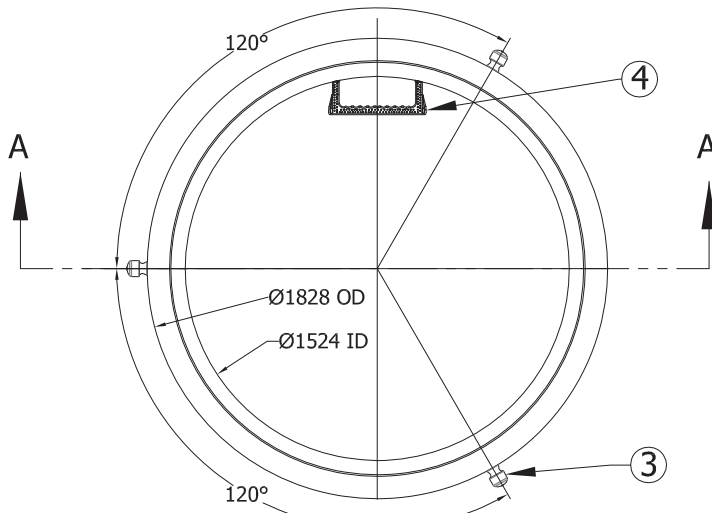
Sheet No.

1 OF 1

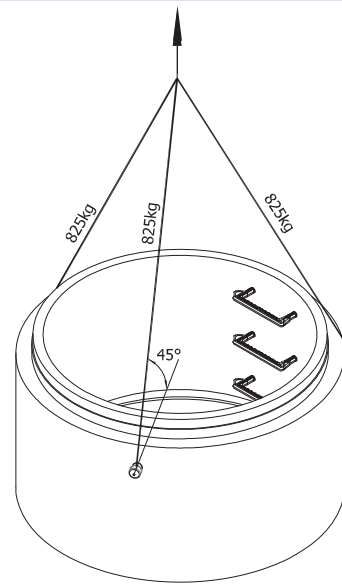
7520 Conrad Street Burnaby, B.C. V5A 2H7 Phone : 604-415-5181 Fax : 604-415-5185
www.diamondprecast.com

This drawing is the property of the Diamond Precast Concrete. All information contained herein is confidential and may not be used in whole or in part without written permission from the owner.

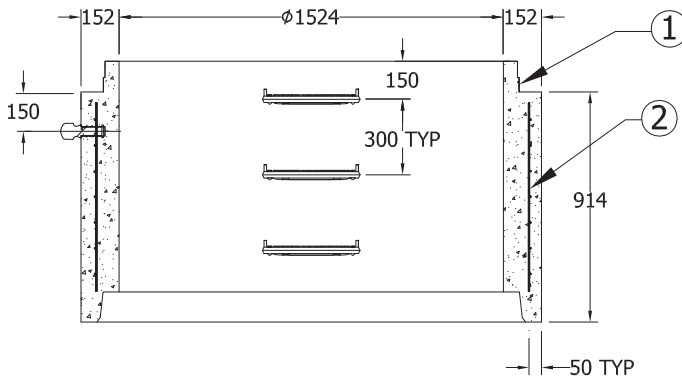
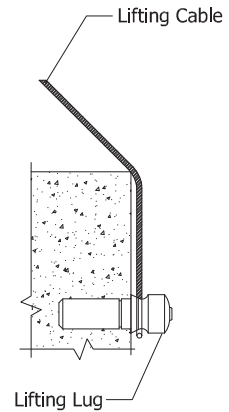
6036R



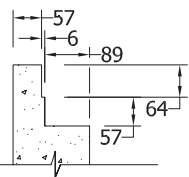
PLAN VIEW
SCALE 1:30



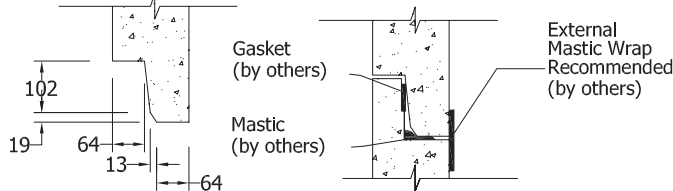
Lifting Detail



SECTION A-A
SCALE 1:30



TONGUE & GROOVE DETAIL
SCALE 1 : 15



SUGGESTED JOINT DETAIL
SCALE 1 : 15

Specification and General Notes:

1. Manhole design/manufacture to ASTM C478M Specification.
2. Concrete testing to current version of ASTM C497/CSA 23.1&2.
3. Min. concrete compressive strength 30 MPa with Max. W/C ratio of 0.5
4. Gasket to ASTM C-443 specification (by others).
5. Concrete cover to be Min.25mm.
6. All dimensions to be millimeter.
7. Welded wire mesh overlap to be 300mm.
8. Manhole design and construction to MMCD manhole specification section 02725.
9. Manufacturing tolerance to be +/- 5mm.
10. Concrete Exposure Class to be A-3
11. Min. Stripping Strength to be 15MPa
12. All Form Finish to be Standard Grade
13. All Unformed Finish to be Steel Trowelled Finish or Wood Float Finish
14. Lifting cable and accessories to meet the strength requirement in lifting detail
15. Hoisting and Rigging system to meet WORK SAFE BC OHS Regulation Guideline Part 14/15



Description:	1524ID x 914H Manhole Riser	
	60"ID x 36"H Manhole Riser 3794#	
Project:		

Drawn : D.L	Date : 07/03/2016	Catalog No. 6036R
Approved : V.W.	Load Rating: H20 RATED	
Rev. No. B	Scale : As Shown	Dwg. No. 60-05

7520 Conrad Street Burnaby, B.C. V5A 2H7 Phone : 604-415-5181 Fax : 604-415-5185
www.diamondprecast.com

This drawing is the property of the Diamond Precast Concrete. All information contained herein is confidential and may not be used in whole or in part without written permission from the owner.

Sheet No.
1 OF 1