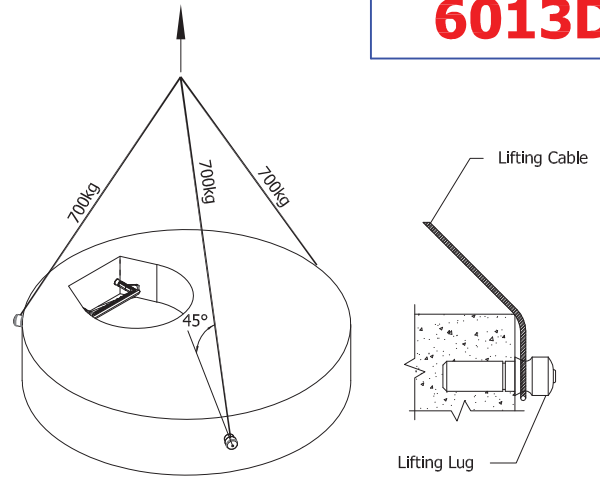
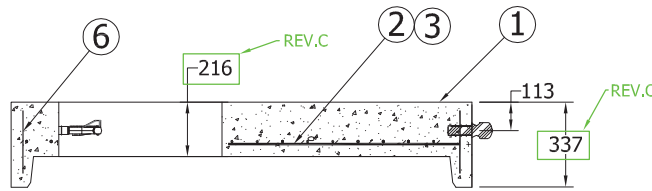


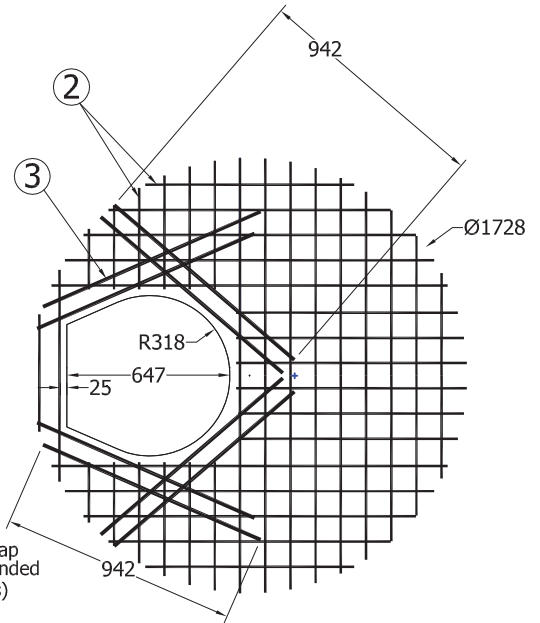
PLAN VIEW
SCALE 1:30



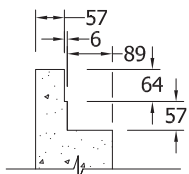
LIFTING DETAIL



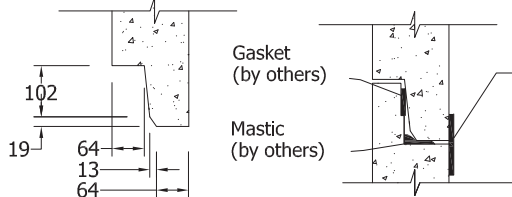
SECTION A-A
SCALE 1:20



BOTTOM REINFORCEMENT PLAN VIEW
SCALE 1:30



TONGUE & GROOVE DETAIL
SCALE 1:15



SUGGESTED JOINT DETAIL
SCALE 1:15

Specification and General Notes:

1. Manhole design/manufacture to ASTM C478M Specification.
2. Concrete testing to current version of ASTM C497/CSA 23.1&2.
3. Min. concrete compressive strength 30 MPa with Max. W/C ratio of 0.5
4. Gasket to ASTM C-443 specification (by others).
5. Concrete cover to be Min.25mm.
6. All dimensions to be millimeter.
7. Welded wire mesh overlap to be 300mm.
8. Manhole design and construction to MMCD manhole specification section 02725.
9. Manufacturing tolerance to be +/- 5mm.
10. Concrete Exposure Class to be A-3
11. Min. Stripping Strength to be 15MPa
12. All Form Finish to be Standard Grade
13. All Unformed Finish to be Steel Trowelled Finish or Wood Float Finish
14. Lifting cable and accessories to meet the strength requirement in lifting detail
15. Hoisting and Rigging system to meet WORK SAFE BC OHS Regulation Guideline Part 14/15



Description:

1524 Donut Lid Offset Round Opening

60 Donut Lid Offset Round Opening 2554#

Project:

Drawn :

D.L

Date :

31/03/2016

Catalog No.

6013DL

Approved :

V.W.

Load Rating:

H20 RATED

Dwg. No.

60-09

Rev. No.

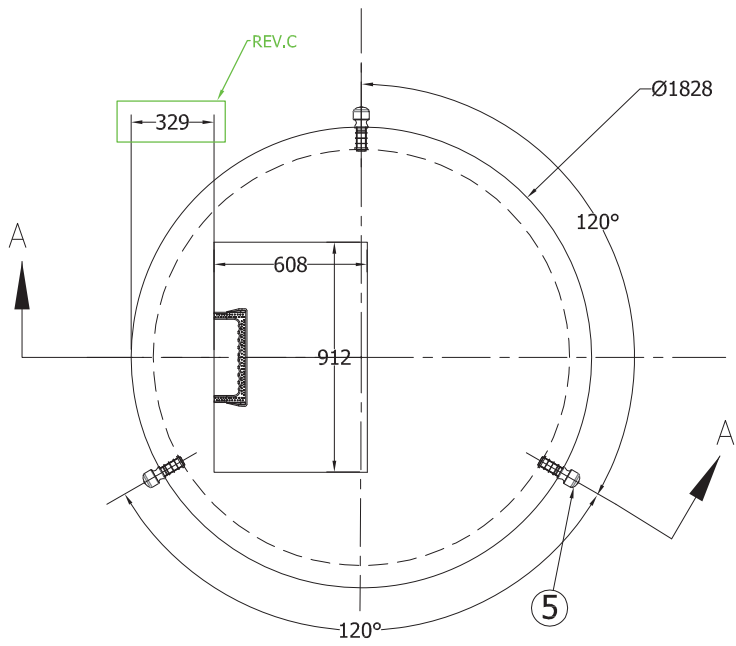
C

Scale :

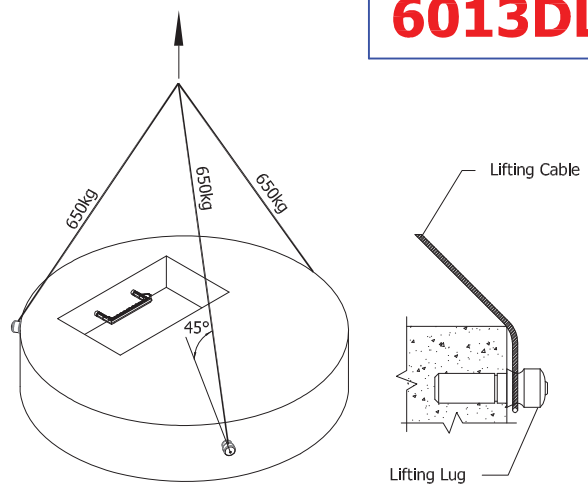
As Shown

Sheet No.

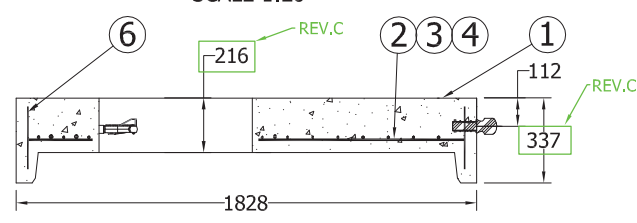
1 OF 1



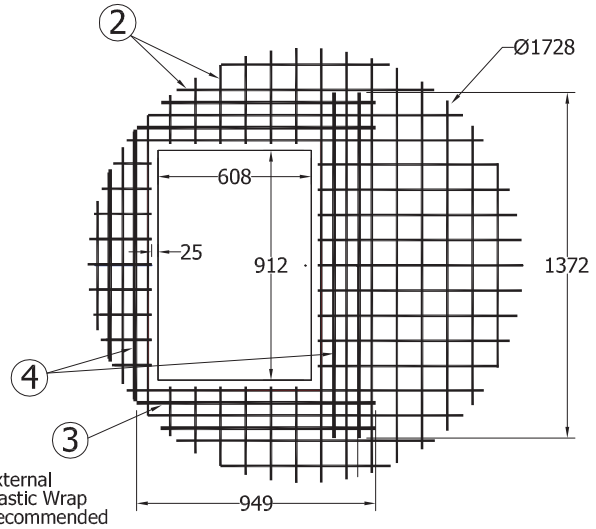
PLAN VIEW
SCALE 1:20



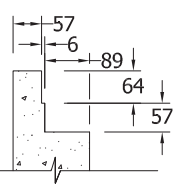
Lifting Detail



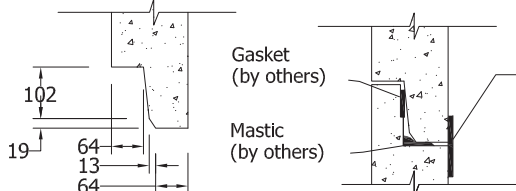
SECTION A-A
SCALE 1:20



BOTTOM REINFORCEMENT PLAN VIEW
SCALE 1:30



TONGUE & GROOVE DETAIL
SCALE 1 : 15



SUGGESTED JOINT DETAIL
SCALE 1 : 15

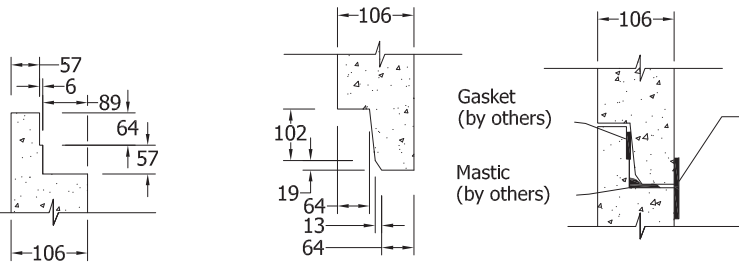
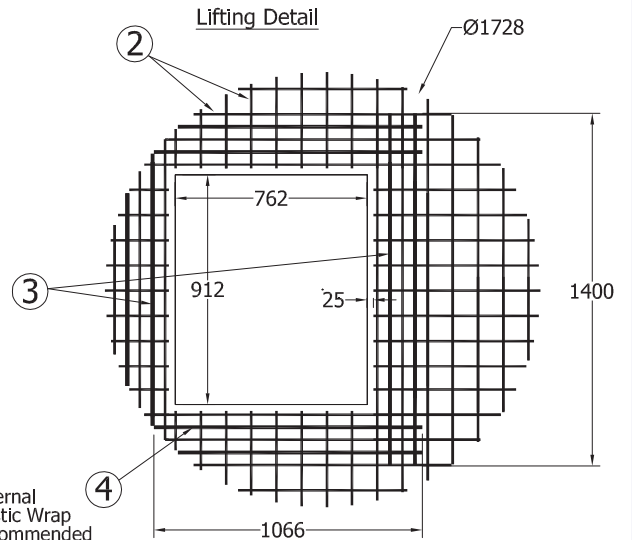
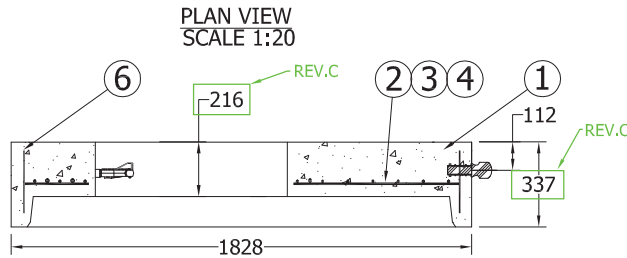
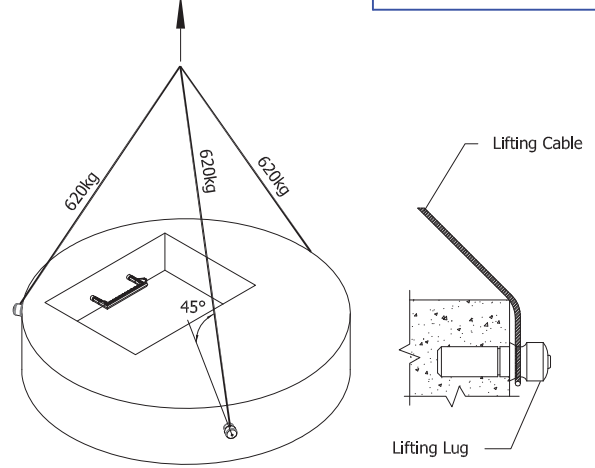
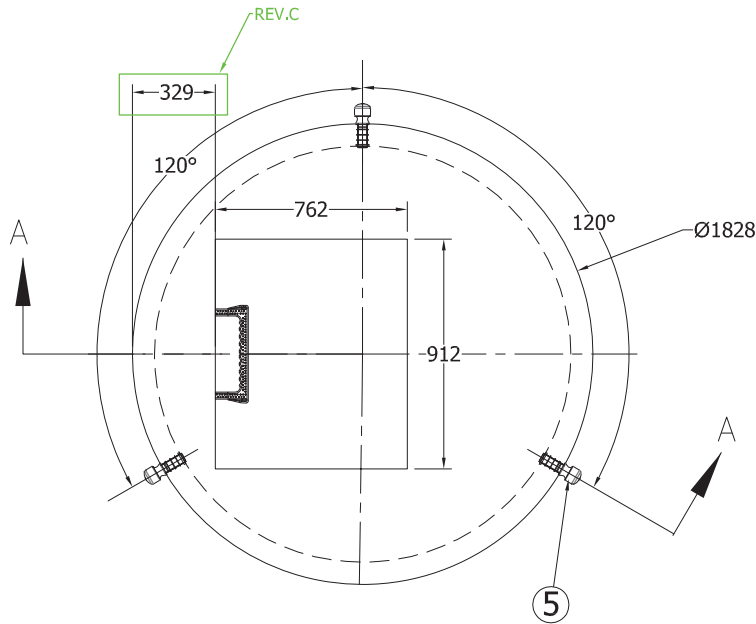
- Specification and General Notes:**
1. Manhole design/manufacture to ASTM C478M Specification.
 2. Concrete testing to current version of ASTM C497/CSA 23.1&2.
 3. Min. concrete compressive strength 30 MPa with Max. W/C ratio of 0.5
 4. Gasket to ASTM C-443 specification (by others).
 5. Concrete cover to be Min.25mm.
 6. All dimensions to be millimeter.
 7. Welded wire mesh overlap to be 300mm.
 8. Manhole design and construction to MMCD manhole specification section 02725.
 9. Manufacturing tolerance to be +/- 5mm.
 10. Concrete Exposure Class to be A-3
 11. Min. Stripping Strength to be 15MPa
 12. All Form Finish to be Standard Grade
 13. All Unformed Finish to be Steel Trowelled Finish or Wood Float Finish
 14. Lifting cable and accessories to meet the strength requirement in lifting detail
 15. Hoisting and Rigging system to meet WORK SAFE BC OHS Regulation Guideline Part 14/15



Description:	1524 Donut Lid Hatch Opening	
	60 Donut Lid Hatch Opening 2312#	
Project:		

Drawn :	Date :	Catalog No.
D.L	31/03/2016	
Approved :	Load Rating:	Dwg. No.
V.W.	H20 RATED	
Rev. No.	Scale :	Sheet No.
C	As Shown	1 OF 1

6013DLH 30X36



TONGUE & GROOVE DETAIL
SCALE 1 : 15

SUGGESTED JOINT DETAIL
SCALE 1 : 15

Specification and General Notes:

1. Manhole design/manufacture to ASTM C478M Specification.
2. Concrete testing to current version of ASTM C497/CSA 23.1&2.
3. Min. concrete compressive strength 30 MPa with Max. W/C ratio of 0.5
4. Gasket to ASTM C-443 specification (by others).
5. Concrete cover to be Min.25mm.
6. All dimensions to be millimeter.
7. Welded wire mesh overlap to be 300mm.
8. Manhole design and construction to MMCD manhole specification section 02725.
9. Manufacturing tolerance to be +/- 5mm.
10. Concrete Exposure Class to be A-3
11. Min. Stripping Strength to be 15MPa
12. All Form Finish to be Standard Grade
13. All Unformed Finish to be Steel Trowelled Finish or Wood Float Finish
14. Lifting cable and accessories to meet the strength requirement in lifting detail
15. Hoisting and Rigging system to meet WORK SAFE BC OHS Regulation Guideline Part 14/15



Description:

1524 Donut Lid Hatch Opening 762 X 912

60 Donut Lid Hatch Opening 30 X 36 - #2154

Project:

Drawn :

D.L

Date :

31/03/2016

Catalog No.

**6013DLH
30 X 36**

Approved :

V.W.

Load Rating:

H20 RATED

Dwg. No.

60-11

Rev. No.

C

Scale :

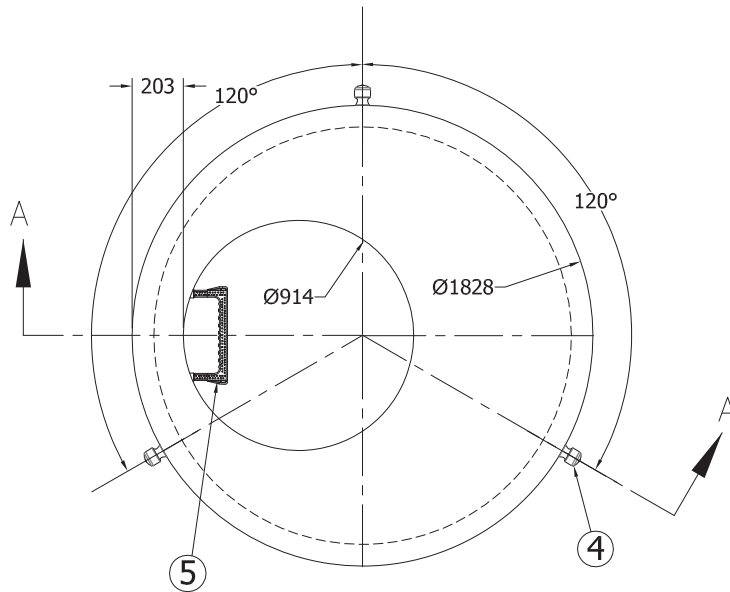
As Shown

Sheet No.

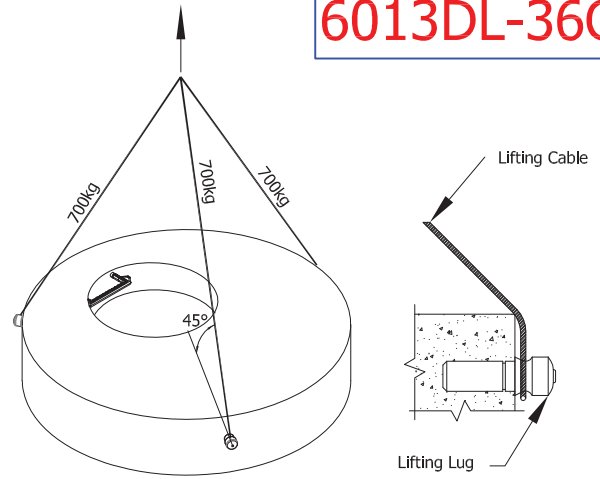
1 OF 1

7520 Conrad Street Burnaby, B.C. V5A 2H7 Phone : 604-415-5181 Fax : 604-415-5185
www.diamondprecast.com

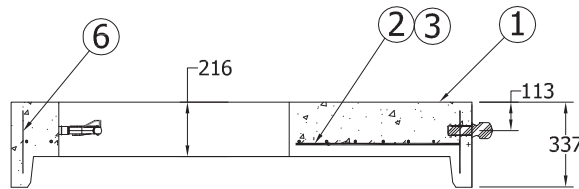
This drawing is the property of the Diamond Precast Concrete. All information contained herein is confidential and may not be used in whole or in part without written permission from the owner.



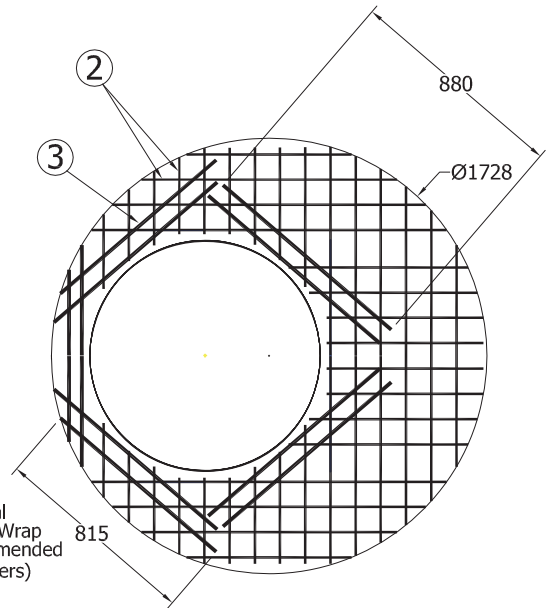
PLAN VIEW
SCALE 1:30



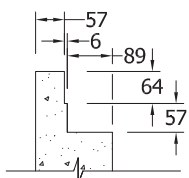
Lifting Detail



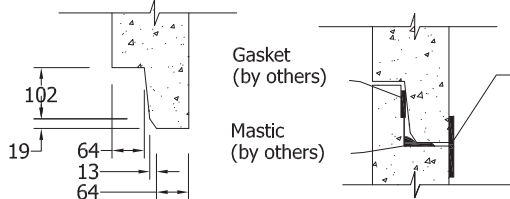
SECTION A-A
SCALE 1:20



BOTTOM REINFORCEMENT PLAN VIEW
SCALE 1:30



TONGUE & GROOVE DETAIL
SCALE 1:15



SUGGESTED JOINT DETAIL
SCALE 1:15

Specification and General Notes:

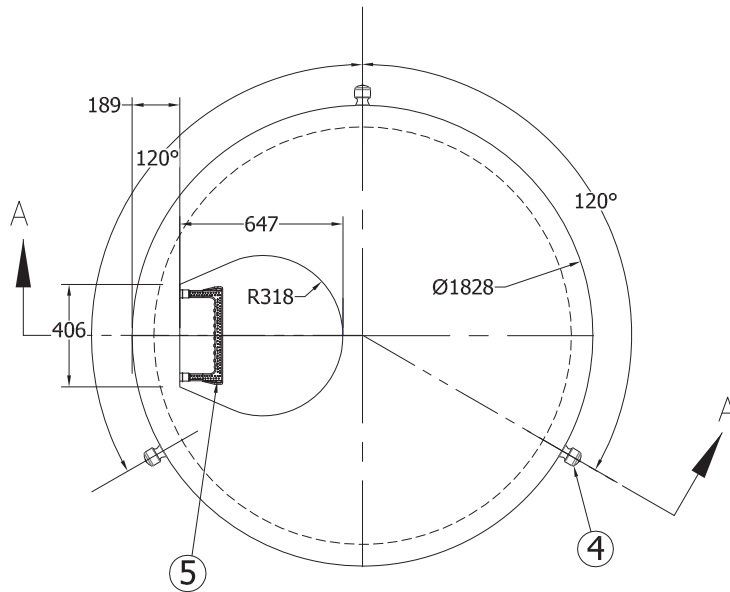
1. Manhole design/manufacture to ASTM C478M Specification.
2. Concrete testing to current version of ASTM C497/CSA 23.1&2.
3. Min. concrete compressive strength 30 MPa with Max. W/C ratio of 0.5
4. Gasket to ASTM C-443 specification (by others).
5. Concrete cover to be Min.25mm.
6. All dimensions to be millimeter.
7. Welded wire mesh overlap to be 300mm.
8. Manhole design and construction to MMCD manhole specification section 02725.
9. Manufacturing tolerance to be +/- 5mm.
10. Concrete Exposure Class to be A-3
11. Min. Stripping Strength to be 15MPa
12. All Form Finish to be Standard Grade
13. All Unformed Finish to be Steel Trowelled Finish or Wood Float Finish
14. Lifting cable and accessories to meet the strength requirement in lifting detail
15. Hoisting and Rigging system to meet WORK SAFE BC OHS Regulation Guideline Part 14/15



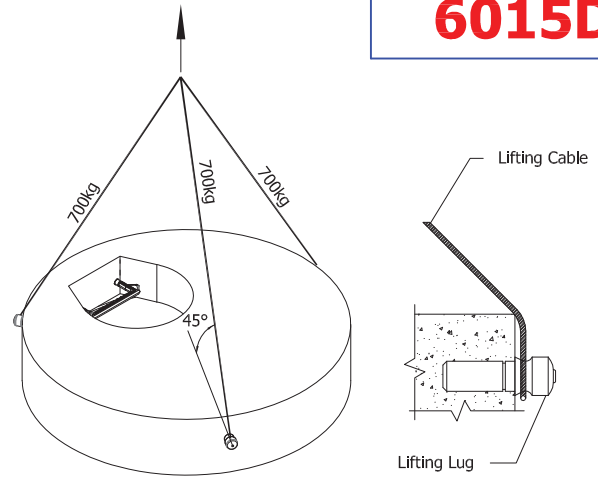
Description:	1524 Donut Lid-914 OPENING	
	60 Donut Lid 2198 #-36" OPENING	
Project:		

Drawn :	Date :
D.L	24/09/2016
Approved :	Load Rating:
V.W.	H20 RATED
Rev. No.	Scale :
A	As Shown

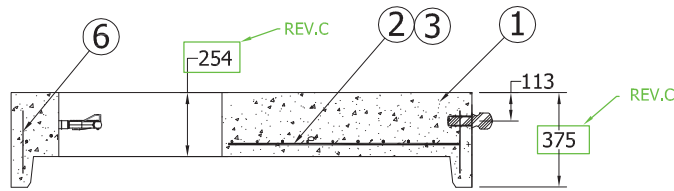
Catalog No.
6013DL -36CO
Dwg. No.
60-13
Sheet No.
1 OF 1



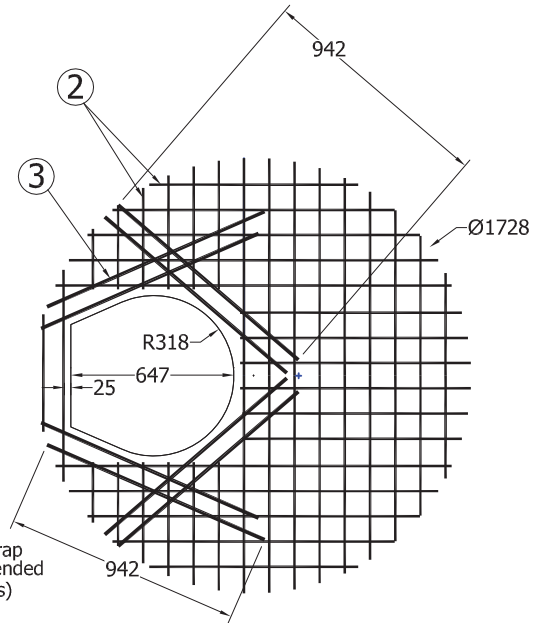
PLAN VIEW
SCALE 1:30



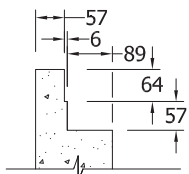
Lifting Detail



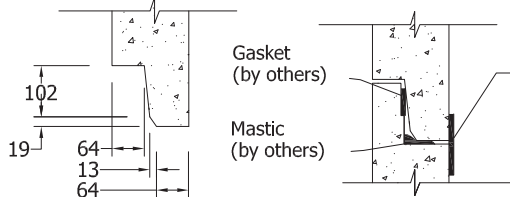
SECTION A-A
SCALE 1:20



BOTTOM REINFORCEMENT PLAN VIEW
SCALE 1:30



TONGUE & GROOVE DETAIL
SCALE 1 : 15



SUGGESTED JOINT DETAIL
SCALE 1 : 15

Specification and General Notes:

1. Manhole design/manufacture to ASTM C478M Specification.
2. Concrete testing to current version of ASTM C497/CSA 23.1&2.
3. Min. concrete compressive strength 30 MPa with Max. W/C ratio of 0.5
4. Gasket to ASTM C-443 specification (by others).
5. Concrete cover to be Min.25mm.
6. All dimensions to be millimeter.
7. Welded wire mesh overlap to be 300mm.
8. Manhole design and construction to MMCD manhole specification section 02725.
9. Manufacturing tolerance to be +/- 5mm.
10. Concrete Exposure Class to be A-3
11. Min. Stripping Strength to be 15MPa
12. All Form Finish to be Standard Grade
13. All Unformed Finish to be Steel Trowelled Finish or Wood Float Finish
14. Lifting cable and accessories to meet the strength requirement in lifting detail
15. Hoisting and Rigging system to meet WORK SAFE BC OHS Regulation Guideline Part 14/15

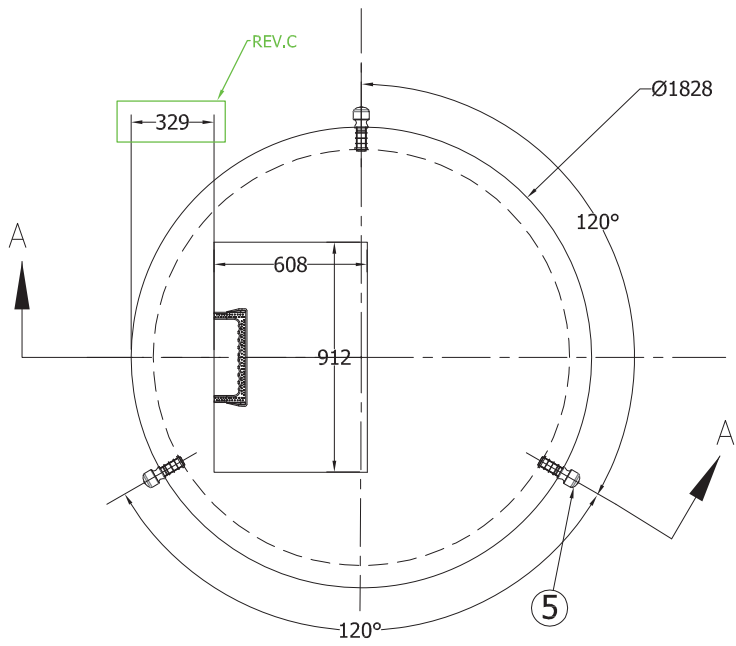


Description:
1524 Donut Lid Offset Round Opening

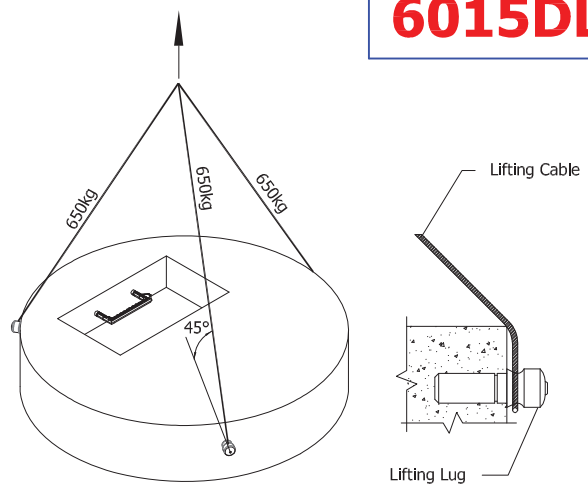
60 Donut Lid Offset Round Opening 3071#

Project:

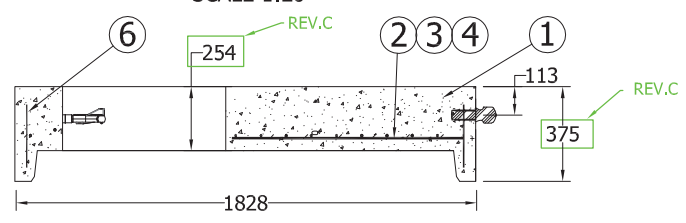
Drawn : D.L	Date : 27/02/2017	Catalog No. 6015DL
Approved : V.W.	Load Rating: H20 RATED	
Rev. No. C	Scale : As Shown	Dwg. No. 60-14



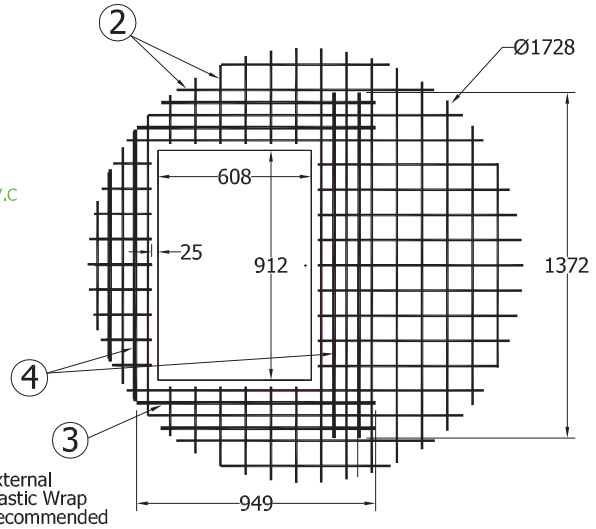
PLAN VIEW
SCALE 1:20



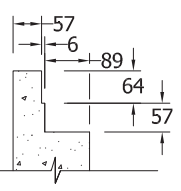
Lifting Detail



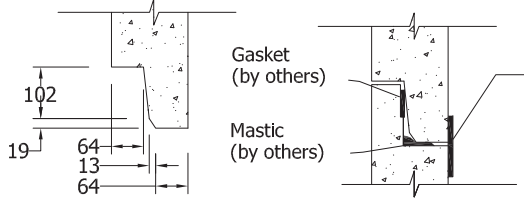
SECTION A-A
SCALE 1:20



BOTTOM REINFORCEMENT PLAN VIEW
SCALE 1:30



TONGUE & GROOVE DETAIL
SCALE 1 : 15



SUGGESTED JOINT DETAIL
SCALE 1 : 15

- Specification and General Notes:**
1. Manhole design/manufacture to ASTM C478M Specification.
 2. Concrete testing to current version of ASTM C497/CSA 23.1&2.
 3. Min. concrete compressive strength 30 MPa with Max. W/C ratio of 0.5
 4. Gasket to ASTM C-443 specification (by others).
 5. Concrete cover to be Min.25mm.
 6. All dimensions to be millimeter.
 7. Welded wire mesh overlap to be 300mm.
 8. Manhole design and construction to MMCD manhole specification section 02725.
 9. Manufacturing tolerance to be +/- 5mm.
 10. Concrete Exposure Class to be A-3
 11. Min. Stripping Strength to be 15MPa
 12. All Form Finish to be Standard Grade
 13. All Unformed Finish to be Steel Trowelled Finish or Wood Float Finish
 14. Lifting cable and accessories to meet the strength requirement in lifting detail
 15. Hoisting and Rigging system to meet WORK SAFE BC OHS Regulation Guideline Part 14/15



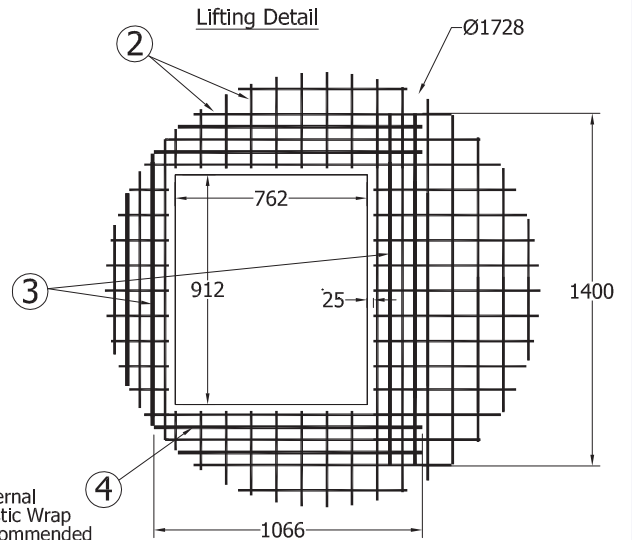
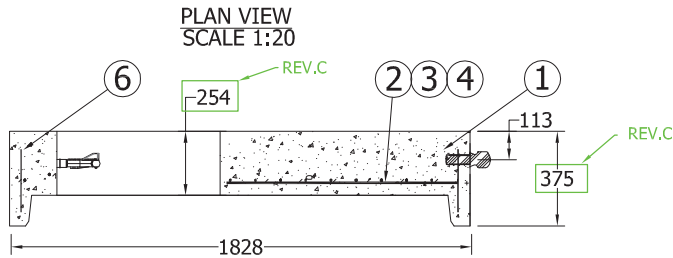
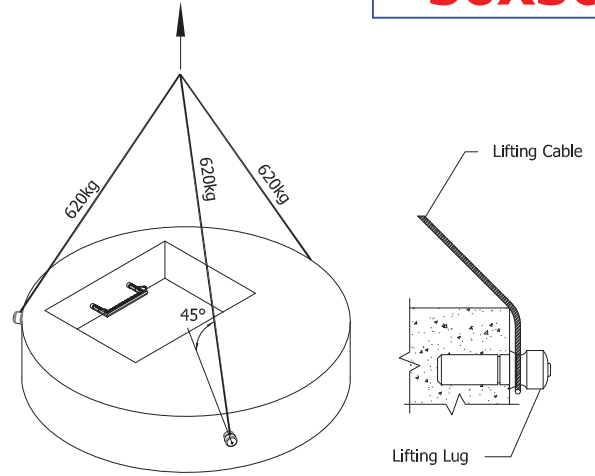
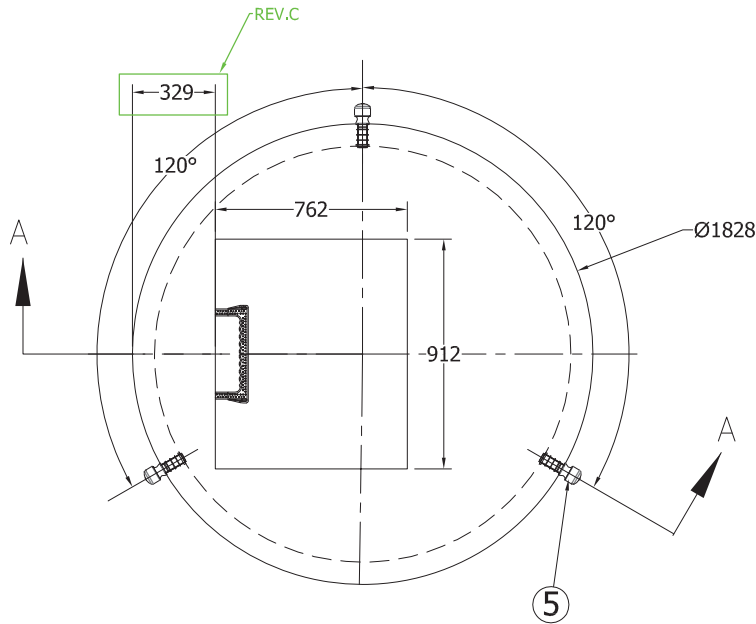
Description:	1524 Donut Lid Hatch Opening	
	60 Donut Lid Hatch Opening 2820#	
Project:		

Drawn : D.L	Date : 27/02/2017	Catalog No. 6015DLH
Approved : V.W.	Load Rating: H20 RATED	
Rev. No. C	Scale : As Shown	Dwg. No. 60-15

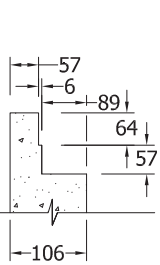
7520 Conrad Street Burnaby, B.C. V5A 2H7 Phone : 604-415-5181 Fax : 604-415-5185
www.diamondprecast.com

This drawing is the property of the Diamond Precast Concrete. All information contained herein is confidential and may not be used in whole or in part without written permission from the owner.
Sheet No.
1 OF 1

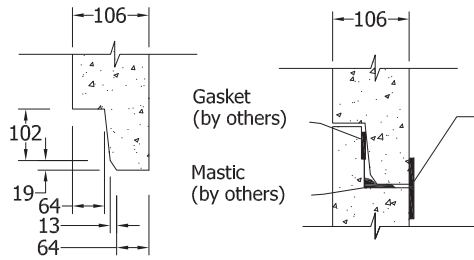
6015DLH 30X36



BOTTOM REINFORCEMENT PLAN VIEW
SCALE 1:30



TONGUE & GROOVE DETAIL
SCALE 1:15



SUGGESTED JOINT DETAIL
SCALE 1:15

Specification and General Notes:

1. Manhole design/manufacture to ASTM C478M Specification.
2. Concrete testing to current version of ASTM C497/CSA 23.1&2.
3. Min. concrete compressive strength 30 MPa with Max. W/C ratio of 0.5
4. Gasket to ASTM C-443 specification (by others).
5. Concrete cover to be Min.25mm.
6. All dimensions to be millimeter.
7. Welded wire mesh overlap to be 300mm.
8. Manhole design and construction to MMCD manhole specification section 02725.
9. Manufacturing tolerance to be +/- 5mm.
10. Concrete Exposure Class to be A-3
11. Min. Stripping Strength to be 15MPa
12. All Form Finish to be Standard Grade
13. All Unformed Finish to be Steel Trowelled Finish or Wood Float Finish
14. Lifting cable and accessories to meet the strength requirement in lifting detail
15. Hoisting and Rigging system to meet WORK SAFE BC OHS Regulation Guideline Part 14/15



Description:

1524 Donut Lid Hatch Opening 762 X 912

60 Donut Lid Hatch Opening 30 X 36 - #2632

Project:

Drawn :

D.L

Date :

27/02/2017

Catalog No.

**6015DLH
30 X 36**

Approved :

V.W.

Load Rating:

H20 RATED

Dwg. No.

60-16

Rev. No.

C

Scale :

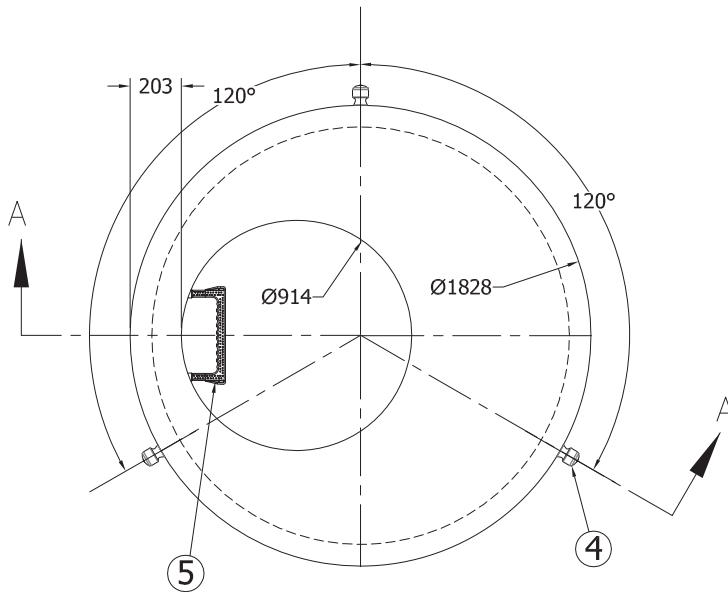
As Shown

Sheet No.

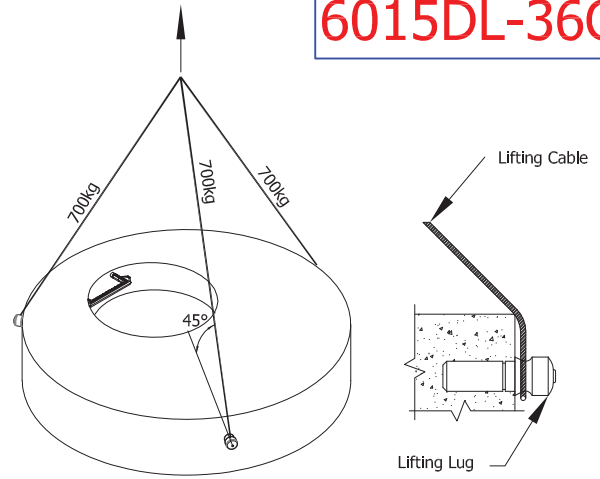
1 OF 1

7520 Conrad Street Burnaby, B.C. V5A 2H7 Phone : 604-415-5181 Fax : 604-415-5185
www.diamondprecast.com

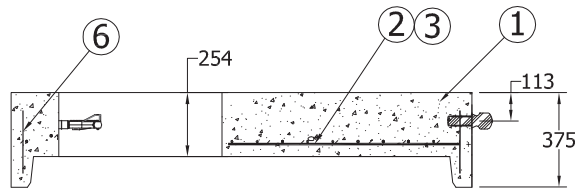
This drawing is the property of the Diamond Precast Concrete. All information contained herein is confidential and may not be used in whole or in part without written permission from the owner.



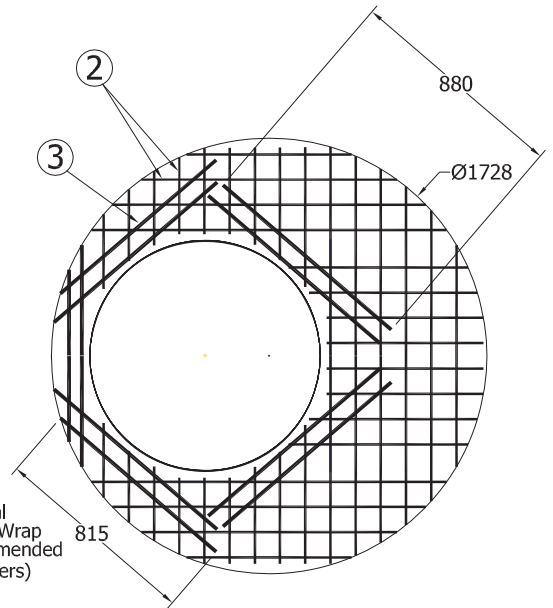
PLAN VIEW
SCALE 1:30



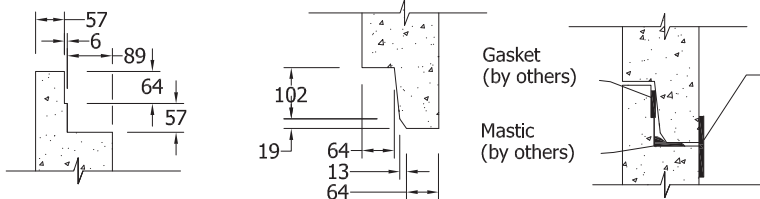
Lifting Detail



SECTION A-A
SCALE 1:20



BOTTOM REINFORCEMENT PLAN VIEW
SCALE 1:30



TONGUE & GROOVE DETAIL
SCALE 1:15

SUGGESTED JOINT DETAIL
SCALE 1:15

Specification and General Notes:

1. Manhole design/manufacture to ASTM C478M Specification.
2. Concrete testing to current version of ASTM C497/CSA 23.1&2.
3. Min. concrete compressive strength 30 MPa with Max. W/C ratio of 0.5
4. Gasket to ASTM C-443 specification (by others).
5. Concrete cover to be Min.25mm.
6. All dimensions to be millimeter.
7. Welded wire mesh overlap to be 300mm.
8. Manhole design and construction to MMCD manhole specification section 02725.
9. Manufacturing tolerance to be +/- 5mm.
10. Concrete Exposure Class to be A-3
11. Min. Stripping Strength to be 15MPa
12. All Form Finish to be Standard Grade
13. All Unformed Finish to be Steel Trowelled Finish or Wood Float Finish
14. Lifting cable and accessories to meet the strength requirement in lifting detail
15. Hoisting and Rigging system to meet WORK SAFE BC OHS Regulation Guideline Part 14/15



Description:	1524 Donut Lid-914 OPENING	
	60 Donut Lid 2695 #-36" OPENING	
Project:		

Drawn :	Date :
D.L	27/02/2017
Approved :	Load Rating:
V.W.	H20 RATED
Rev. No.	Scale :
A	As Shown

Catalog No.
6015DL-36CO
Dwg. No.
60-17
Sheet No.
1 OF 1