

- Specification and General Notes:
1. Manhole design/manufacture to ASTM C478M Specification.
 2. Concrete testing to current version of ASTM C497/CSA 23.1&2.
 3. Min. concrete compressive strength 30 MPa with Max. W/C ratio of 0.5
 4. Gasket to ASTM C-443 specification (by others).
 5. Concrete cover to be Min.25mm.
 6. All dimensions to be millimeter.
 7. Welded wire mesh overlap to be 300mm.
 8. Manhole design and construction to MMCD manhole specification section 02725.
 9. Manufacturing tolerance to be +/- 5mm.
 10. Concrete Exposure Class to be A-3
 11. Min. Stripping Strength to be 15MPa
 12. All Form Finish to be Standard Grade
 13. All Unformed Finish to be Steel Trowelled Finish or Wood Float Finish
 14. Lifting cable and accessories to meet the strength requirement in lifting detail
 15. Hoisting and Rigging system to meet WORK SAFE BC OHS Regulation Guideline Part 14/15

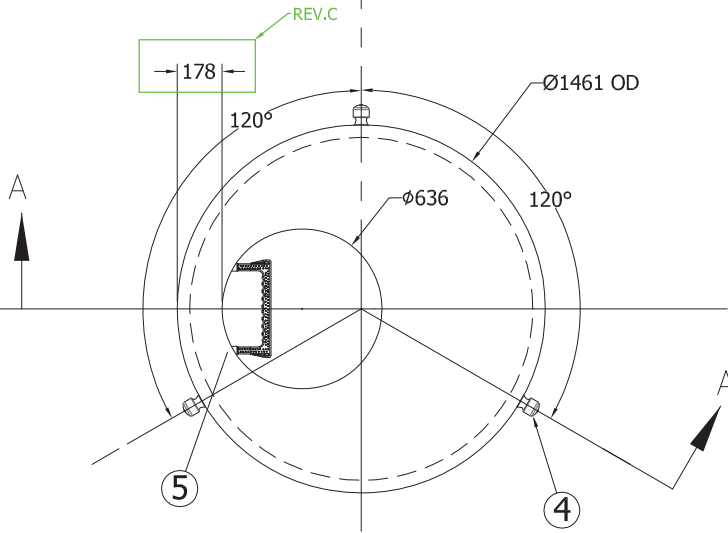


Description:
1219 ID Donut Lid Hatch Opening
 48 Donut Lid Hatch Opening 870 #
 Project:

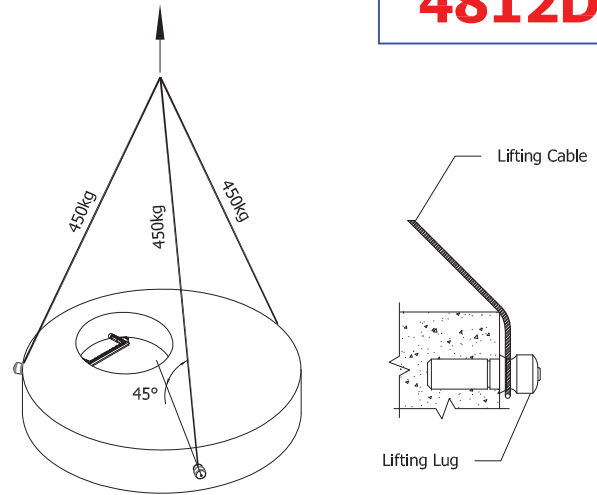
Drawn :
D.L.
 Date :
31/03/2016
 Approved :
V.W.
 Load Rating:
H20 RATED
 Rev. No. :
C
 Scale :
As Shown

Catalog No.
4810DLH
 Dwg. No.
48-10
 Sheet No.
 1 OF 1

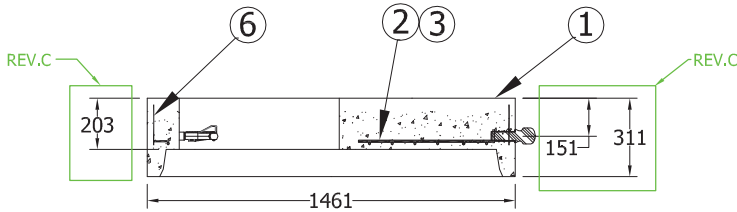
4812DL



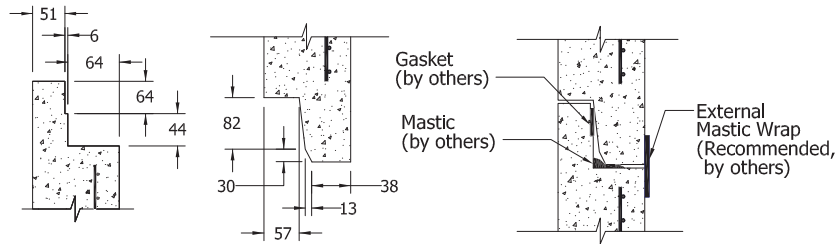
PLAN VIEW
SCALE 1:30



LIFTING DETAIL

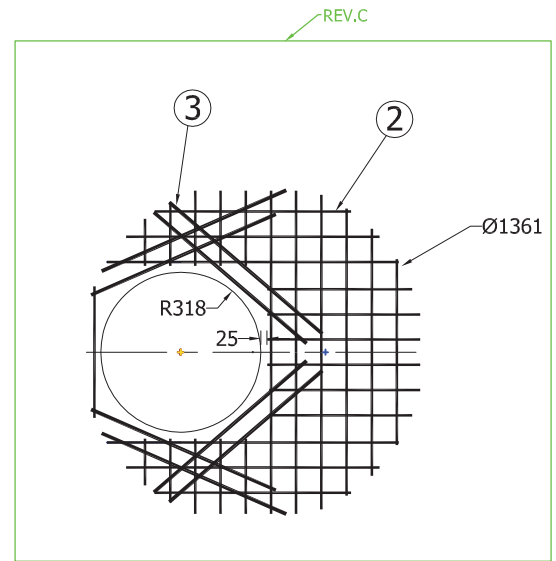


SECTION A-A
SCALE 1:30



TONGUE & GROOVE DETAIL
SCALE 1:15

SUGGESTED JOINT DETAIL
SCALE 1:15



BOTTOM REINFORCEMENT PLAN VIEW
SCALE 1:30

Specification and General Notes:

1. Manhole design/manufacture to ASTM C478M Specification.
2. Concrete testing to current version of ASTM C497/CSA 23.1&2.
3. Min. concrete compressive strength 30 MPa with Max. W/C ratio of 0.5
4. Gasket to ASTM C-443 specification (by others).
5. Concrete cover to be Min.25mm.
6. All dimensions to be millimeter.
7. Welded wire mesh overlap to be 300mm.
8. Manhole design and construction to MMCD manhole specification section 02725.
9. Manufacturing tolerance to be +/- 5mm.
10. Concrete Exposure Class to be A-3
11. Min. Stripping Strength to be 15MPa
12. All Form Finish to be Standard Grade
13. All Unformed Finish to be Steel Trowelled Finish or Wood Float Finish
14. Lifting cable and accessories to meet the strength requirement in lifting detail
15. Hoisting and Rigging system to meet WORK SAFE BC OHS Regulation Guideline Part 14/15



Description:
1219 ID DONUT LID

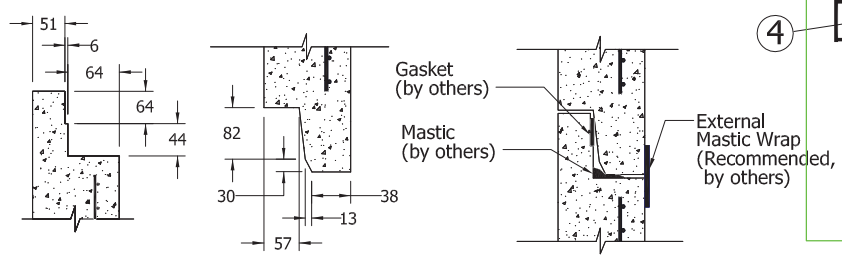
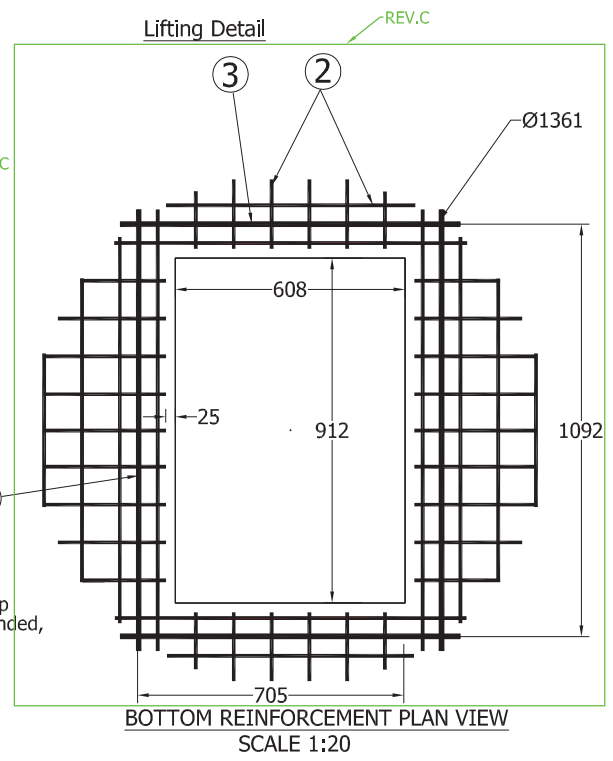
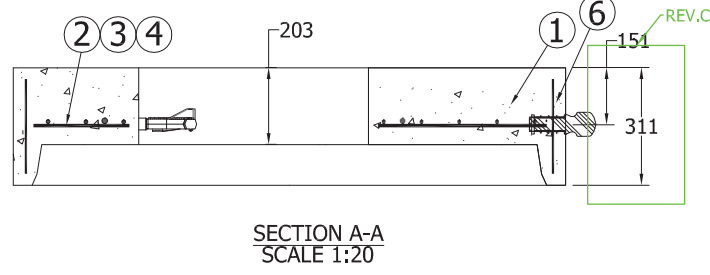
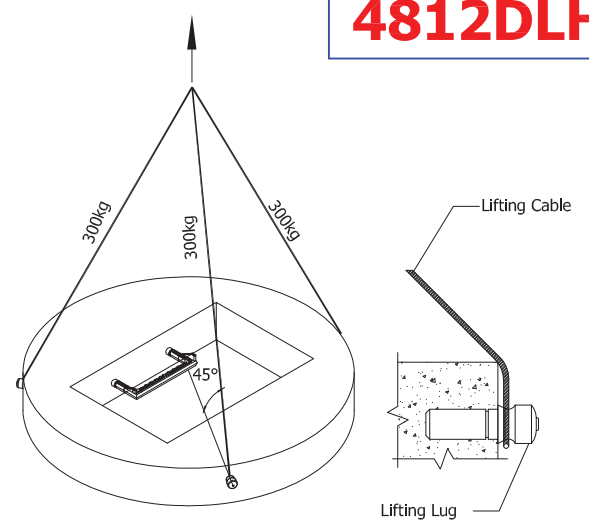
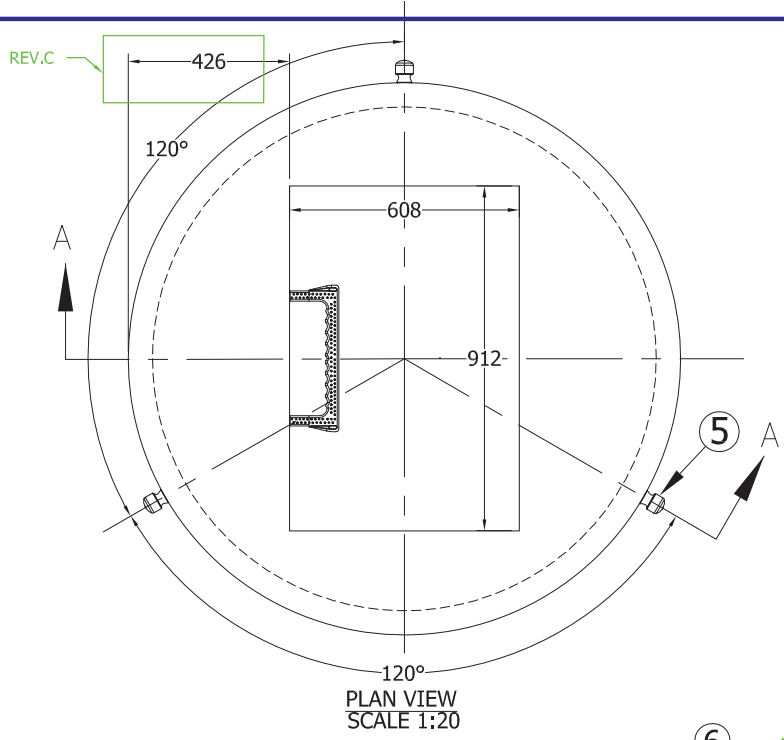
48 Donut Lid 1344#

Project:

| | | |
|--------------------|---------------------------|------------------------------|
| Drawn : D.L | Date : 22/09/2016 | Catalog No. 4812DL |
| Approved : V.W. | Load Rating: H20 RATED | Dwg. No. 48-12 |
| Rev. No. C | Scale : As Shown | Sheet No. 1 OF 1 |

7520 Conrad Street Burnaby, B.C. V5A 2H7 Phone : 604-415-5181 Fax : 604-415-5185
www.diamondprecast.com

This drawing is the property of the Diamond Precast Concrete. All information contained herein is confidential and may not be used in whole or in part without written permission from the owner.



- Specification and General Notes:
1. Manhole design/manufacture to ASTM C478M Specification.
 2. Concrete testing to current version of ASTM C497/CSA 23.1&2.
 3. Min. concrete compressive strength 30 MPa with Max. W/C ratio of 0.5
 4. Gasket to ASTM C-443 specification (by others).
 5. Concrete cover to be Min.25mm.
 6. All dimensions to be millimeter.
 7. Welded wire mesh overlap to be 300mm.
 8. Manhole design and construction to MMCD manhole specification section 02725.
 9. Manufacturing tolerance to be +/- 5mm.
 10. Concrete Exposure Class to be A-3
 11. Min. Stripping Strength to be 15MPa
 12. All Form Finish to be Standard Grade
 13. All Unformed Finish to be Steel Trowelled Finish or Wood Float Finish
 14. Lifting cable and accessories to meet the strength requirement in lifting detail
 15. Hoisting and Rigging system to meet WORK SAFE BC OHS Regulation Guideline Part 14/15



Description:
1219 ID Donut Lid Hatch Opening
48 Donut Lid Hatch Opening 1190 #

Project:

Drawn : D.L.
Date : 22/09/2016

Approved : V.W.
Load Rating: H20 RATED

Rev. No. : C
Scale : As Shown

Catalog No.
4810DLH

Dwg. No.
48-13

Sheet No.
1 OF 1