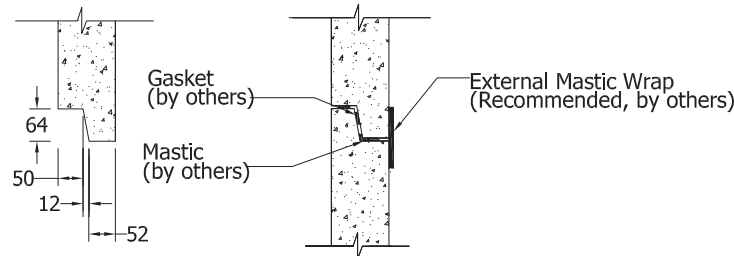
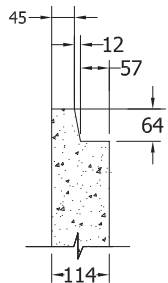
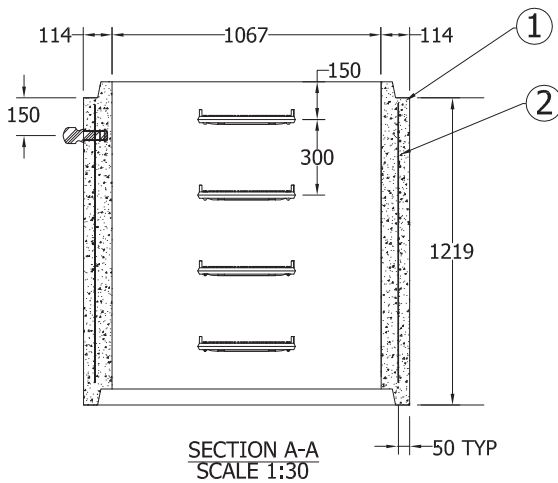
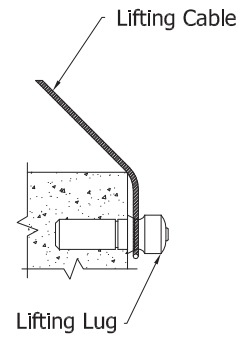
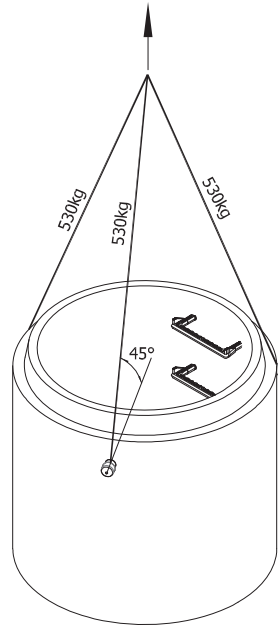
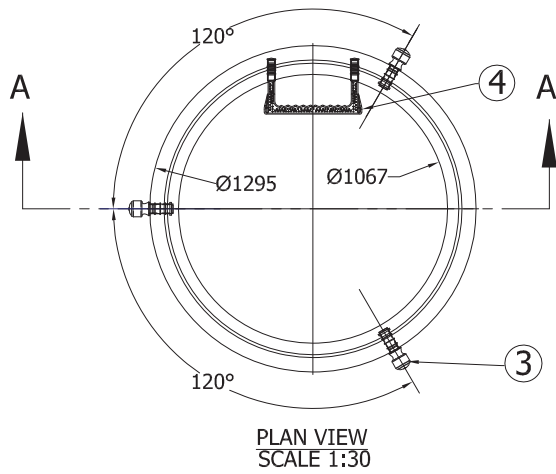


4248R



Specification and General Notes:

—REV. B

1. Manhole design/manufacture to ASTM C478M Specification.
2. Concrete testing to current version of ASTM C497/CSA 23.1&2.
3. Min. concrete compressive strength 30 MPa with Max. W/C ratio of 0.5
4. Gasket to ASTM C-443 specification (by others).
5. Concrete cover to be Min.25mm.
6. All dimensions to be millimeter.
7. Welded wire mesh overlap to be 300mm.
8. Manhole design and construction to MMCD manhole specification section 02725.
9. Manufacturing tolerance to be +/- 5mm.
10. Concrete Exposure Class to be A-3
11. Min. Stripping Strength to be 15MPa
12. All Form Finish to be Standard Grade
13. All Unformed Finish to be Steel Trowelled Finish or Wood Float Finish
14. Lifting cable and accessories to meet the strength requirement in lifting detail
15. Hoisting and Rigging system to meet WORK SAFE BC OHS Regulation Guideline Part 14/15



Description:
1067ID x 1219H Manhole Riser T&G
42"ID x 48"H Manhole Riser T&G 2487#
Project:

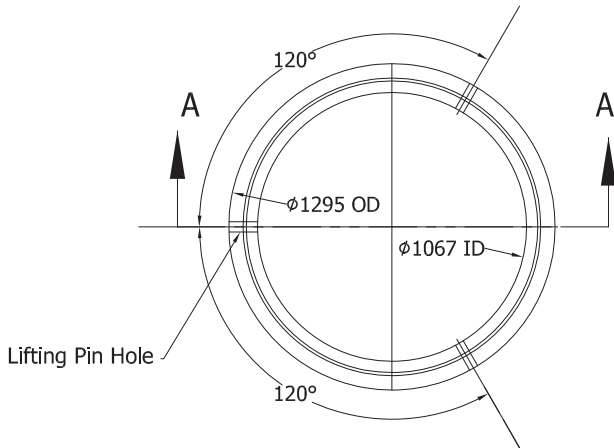
Drawn : D.L.	Date : 05/04/2016	Catalog No. 4248R
Approved : V.W.	Load Rating: N/A	
Rev. No. B	Scale : As Shown	Dwg. No. 42-10

7520 Conrad Street Burnaby, B.C. V5A 2H7 Phone : 604-415-5181 Fax : 604-415-5185
www.diamondprecast.com

This drawing is the property of the Diamond Precast Concrete. All information contained herein is confidential and may not be used in whole or in part without written permission from the owner

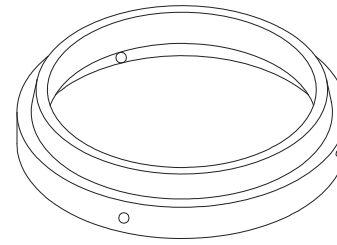
Sheet No.
1 OF 1

4206R

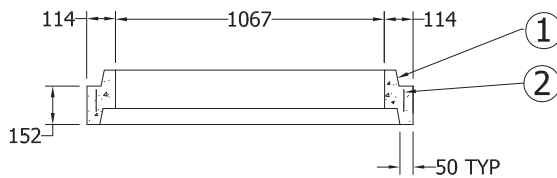


Lifting Pin Hole

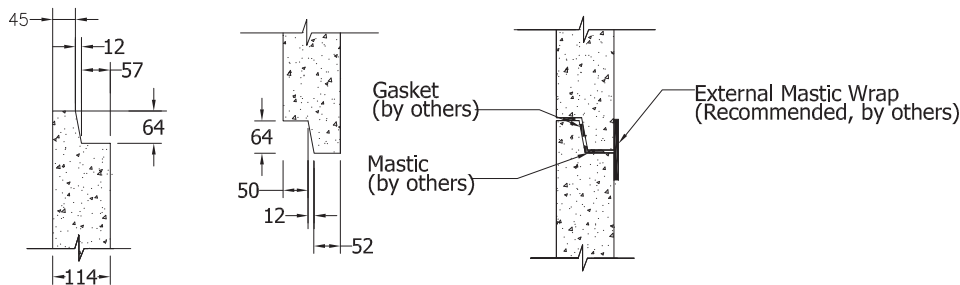
PLAN VIEW
SCALE 1:30



3D VIEW



SECTION A-A
SCALE 1:30



TONGUE & GROOVE DETAIL
SCALE 1 : 15

SUGGESTED JOINT DETAIL
SCALE 1 : 15

Specification and General Notes: —REV. B

1. Manhole design/manufacture to ASTM C478M Specification.
2. Concrete testing to current version of ASTM C497/CSA 23.1&2.
3. Min. concrete compressive strength 30 MPa with Max. W/C ratio of 0.5
4. Gasket to ASTM C-443 specification (by others).
5. Concrete cover to be Min.25mm.
6. All dimensions to be millimeter.
7. Welded wire mesh overlap to be 300mm.
8. Manhole design and construction to MMCD manhole specification section 02725.
9. Manufacturing tolerance to be +/- 5mm.
10. Concrete Exposure Class to be A-3
11. Min. Stripping Strength to be 15MPa
12. All Form Finish to be Standard Grade
13. All Unformed Finish to be Steel Trowelled Finish or Wood Float Finish
14. Lifting cable and accessories to meet the strength requirement in lifting detail
15. Hoisting and Rigging system to meet WORK SAFE BC OHS Regulation Guideline Part 14/15



Description:
1067ID x 152H Manhole Riser T&G

42"ID x 6"H Manhole Riser T&G 310 #

Project:

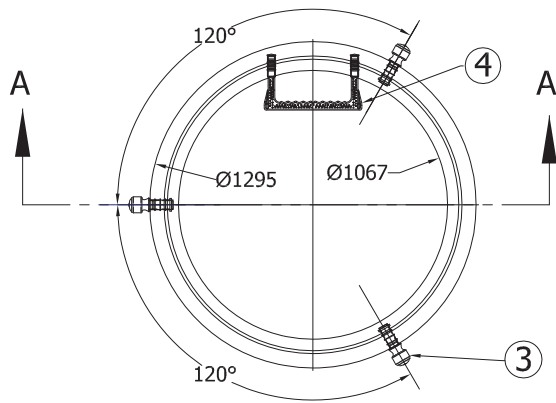
Drawn : D.L.	Date : 05/04/2016	Catalog No. 4206R
Approved : V.W.	Load Rating: N/A	
Rev. No. B	Scale : As Shown	Dwg. No. 42-01

7520 Conrad Street Burnaby, B.C. V5A 2H7 Phone : 604-415-5181 Fax : 604-415-5185
www.diamondprecast.com

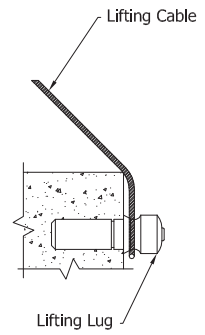
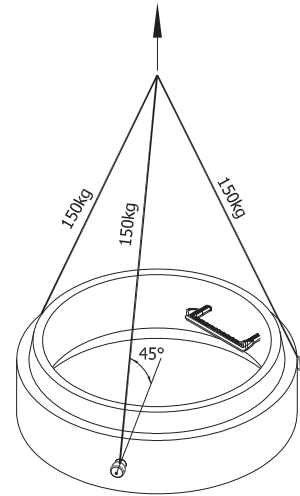
This drawing is the property of the Diamond Precast Concrete. All information contained herein is confidential and may not be used in whole or in part without written permission from the owner

Sheet No.
1 OF 1

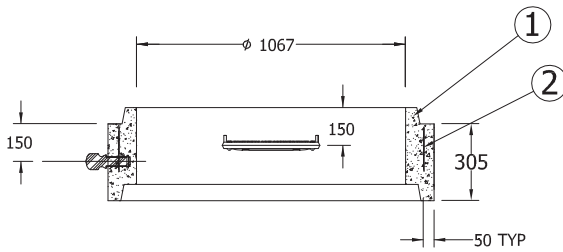
4212R



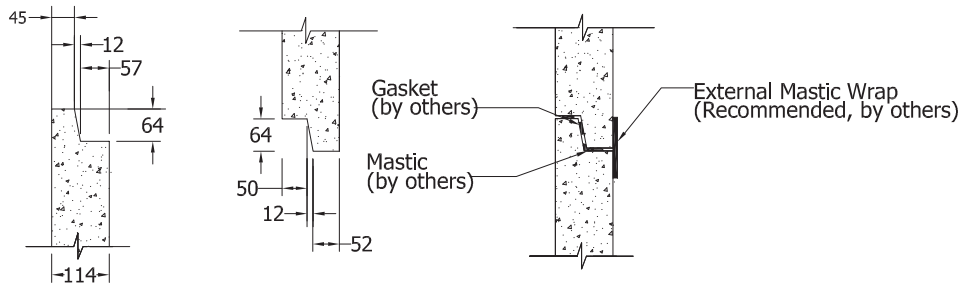
PLAN VIEW
SCALE 1:30



Lifting Detail



SECTION A-A
SCALE 1:30



TONGUE & GROOVE DETAIL
SCALE 1 : 15

SUGGESTED JOINT DETAIL
SCALE 1 : 15

Specification and General Notes:

—REV. B

1. Manhole design/manufacture to ASTM C478M Specification.
2. Concrete testing to current version of ASTM C497/CSA 23.1&2.
3. Min. concrete compressive strength 30 MPa with Max. W/C ratio of 0.5
4. Gasket to ASTM C-443 specification (by others).
5. Concrete cover to be Min.25mm.
6. All dimensions to be millimeter.
7. Welded wire mesh overlap to be 300mm.
8. Manhole design and construction to MMCD manhole specification section 02725.
9. Manufacturing tolerance to be +/- 5mm.
10. Concrete Exposure Class to be A-3
11. Min. Stripping Strength to be 15MPa
12. All Form Finish to be Standard Grade
13. All Unformed Finish to be Steel Trowelled Finish or Wood Float Finish
14. Lifting cable and accessories to meet the strength requirement in lifting detail
15. Hoisting and Rigging system to meet WORK SAFE BC OHS Regulation Guideline Part 14/15



Description:

1067ID x 305H Manhole Riser T&G LR1

42"ID x 12"H Manhole Riser T&G LR1 628 #

Project:

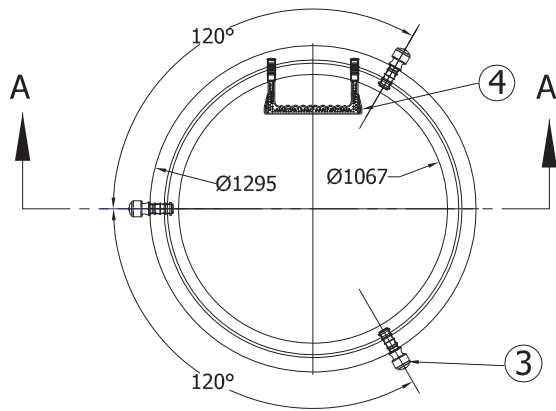
Drawn : D.L.	Date : 05/04/2016	Catalog No. 4212R
Approved : V.W.	Load Rating: N/A	
Rev. No. B	Scale : As Shown	Dwg. No. 42-02

7520 Conrad Street Burnaby, B.C. V5A 2H7 Phone : 604-415-5181 Fax : 604-415-5185
www.diamondprecast.com

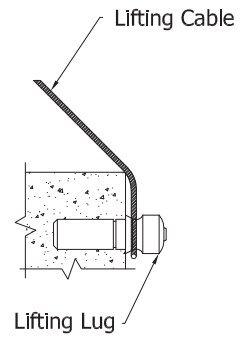
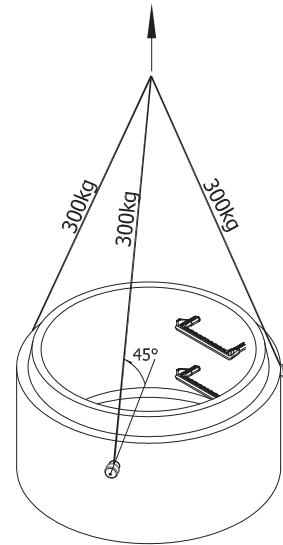
This drawing is the property of the Diamond Precast Concrete. All information contained herein is confidential and may not be used in whole or in part without written permission from the owner

Sheet No.
1 OF 1

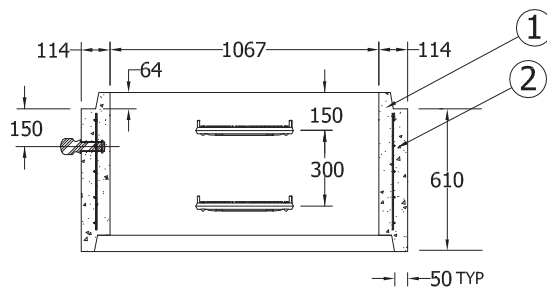
4224R



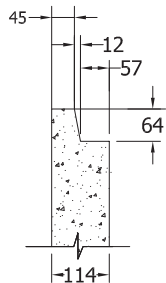
PLAN VIEW
SCALE 1:30



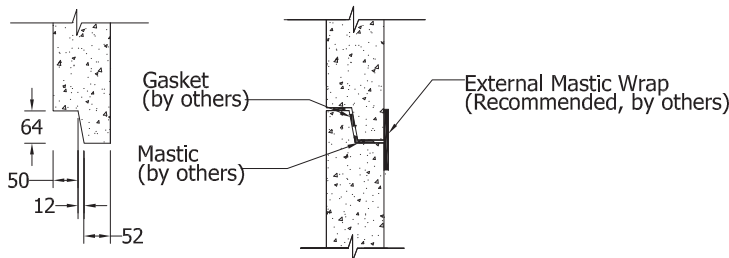
Lifting Detail



SECTION A-A
SCALE 1:30



TONGUE & GROOVE DETAIL
SCALE 1 : 15



SUGGESTED JOINT DETAIL
SCALE 1 : 15

Specification and General Notes:

—REV. B

1. Manhole design/manufacture to ASTM C478M Specification.
2. Concrete testing to current version of ASTM C497/CSA 23.1&2.
3. Min. concrete compressive strength 30 MPa with Max. W/C ratio of 0.5
4. Gasket to ASTM C-443 specification (by others).
5. Concrete cover to be Min.25mm.
6. All dimensions to be millimeter.
7. Welded wire mesh overlap to be 300mm.
8. Manhole design and construction to MMCD manhole specification section 02725.
9. Manufacturing tolerance to be +/- 5mm.
10. Concrete Exposure Class to be A-3
11. Min. Stripping Strength to be 15MPa
12. All Form Finish to be Standard Grade
13. All Unformed Finish to be Steel Trowelled Finish or Wood Float Finish
14. Lifting cable and accessories to meet the strength requirement in lifting detail
15. Hoisting and Rigging system to meet WORK SAFE BC OHS Regulation Guideline Part 14/15



Description:

1067ID x 610H Manhole Riser T&G LR2

42"ID x 24"H Manhole Riser T&G LR2 1256#

Project:

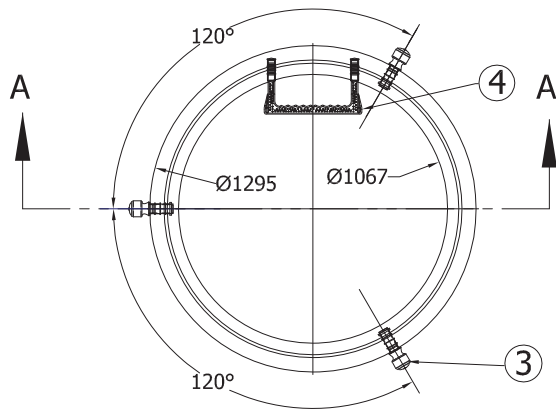
Drawn : D.L.	Date : 05/04/2016	Catalog No. 4224R
Approved : V.W.	Load Rating: N/A	
Rev. No. B	Scale : As Shown	Dwg. No. 42-04

7520 Conrad Street Burnaby, B.C. V5A 2H7 Phone : 604-415-5181 Fax : 604-415-5185
www.diamondprecast.com

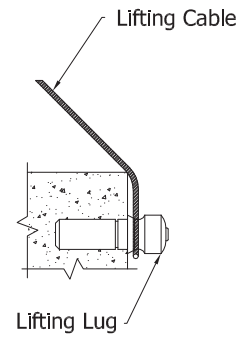
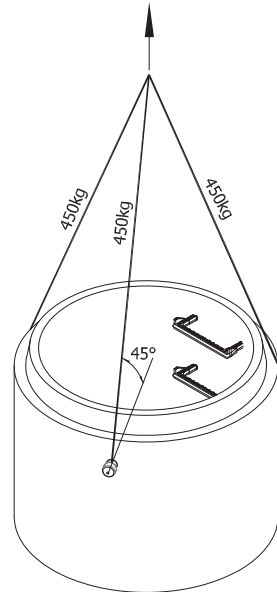
This drawing is the property of the Diamond Precast Concrete. All information contained herein is confidential and may not be used in whole or in part without written permission from the owner

Sheet No.
1 OF 1

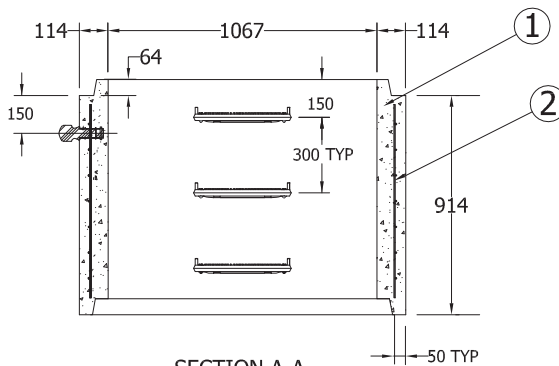
4236R



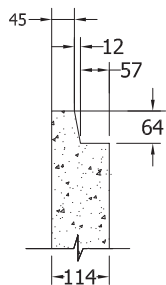
PLAN VIEW
SCALE 1:30



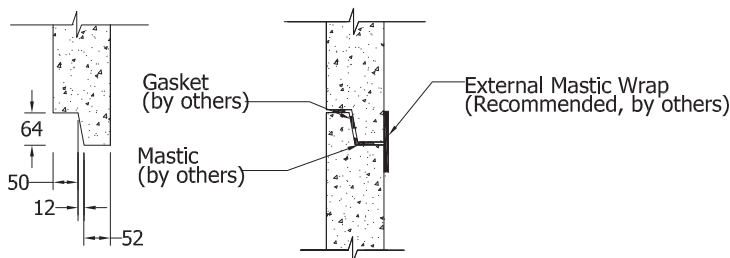
Lifting Detail



SECTION A-A
SCALE 1:30



TONGUE & GROOVE DETAIL
SCALE 1 : 15



SUGGESTED JOINT DETAIL
SCALE 1 : 15

Specification and General Notes:

—REV. B

1. Manhole design/manufacture to ASTM C478M Specification.
2. Concrete testing to current version of ASTM C497/CSA 23.1&2.
3. Min. concrete compressive strength 30 MPa with Max. W/C ratio of 0.5
4. Gasket to ASTM C-443 specification (by others).
5. Concrete cover to be Min.25mm.
6. All dimensions to be millimeter.
7. Welded wire mesh overlap to be 300mm.
8. Manhole design and construction to MMCD manhole specification section 02725.
9. Manufacturing tolerance to be +/- 5mm.
10. Concrete Exposure Class to be A-3
11. Min. Stripping Strength to be 15MPa
12. All Form Finish to be Standard Grade
13. All Unformed Finish to be Steel Trowelled Finish or Wood Float Finish
14. Lifting cable and accessories to meet the strength requirement in lifting detail
15. Hoisting and Rigging system to meet WORK SAFE BC OHS Regulation Guideline Part 14/15



Description:

1067ID x 914H Manhole Riser T&G LR3

42"ID x 36"H Manhole Riser T&G LR3 1883 #

Project:

Drawn : D.L.	Date : 05/04/2016	Catalog No. 4236R
Approved : V.W.	Load Rating: N/A	
Rev. No. B	Scale : As Shown	Dwg. No. 42-06

7520 Conrad Street Burnaby, B.C. V5A 2H7 Phone : 604-415-5181 Fax : 604-415-5185
www.diamondprecast.com

This drawing is the property of the Diamond Precast Concrete. All information contained herein is confidential and may not be used in whole or in part without written permission from the owner

Sheet No.
1 OF 1